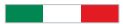


OVERFIRE BROILER



MADE IN ITALY



HIGHLANDER

Painted version available under request



Up to
1562°F / 850°C



HIGHLANDER-E

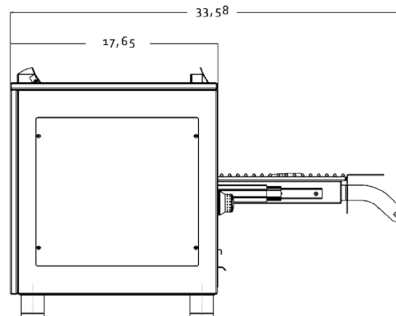
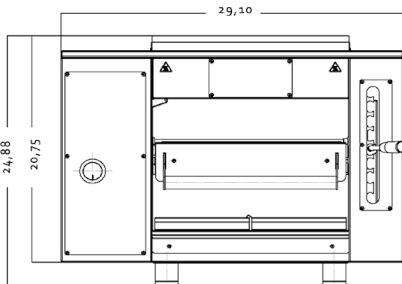


HIGHLANDER-G

- Ideal for Steakhouse finding a perfect cooking solution
- Stackable
- Strong design all in stainless steel 304 (316SS available under special request)
- Fast warm up time, 3 minutes to have the unit ready.
- Cooking grid is height adjustable.
- Grease collectors are removable.
- All part removable are dishwasher safe

SPECIFICATIONS

| | HIGHLANDER-E | HIGHLANDER-G |
|--------------------------|---|--|
| Power Supply | 220V/60Hz/1ph | Gas (inlet 1/2" NPT) |
| Power | 208V 4KW / 240V 5.5KW 1 PH 60Hz | |
| Gas consumption | | Propane Pressure 10 IWC 5.5 kW 18766 BTU/H Natural Gas Pressure 5 IWC 6kW 20427 BTU/H |
| (element) Temperature | (1 - Glass ceramic infrared) 850°C / 1562 °F | (1 - infrared burner) 850°C / 1562 °F |
| Grid Dimensions | W15.23" x D14.72" | W15.23" x D14.72" |
| Lighting | Energy regulator | Piezoelectric |
| Weight | 117 Lbs | 117 Lbs |
| External Dim (WxDxH) | 29.1"x22.63"x24.88" | 29.1"x22.63"x24.88" |
| Shipping Dim. | 30"x43"x34" | 30"x43"x34" |



*Gas version include Gas regulator 1/2" NPT

*Gas version include LPG Kit to field conversion

With simplicity,
Transform your venue
in a real steakhouse.

OVERFIRE BROILER



MADE IN ITALY



HEREFORD

Painted version available under request



Up to
1562°F / 850°C



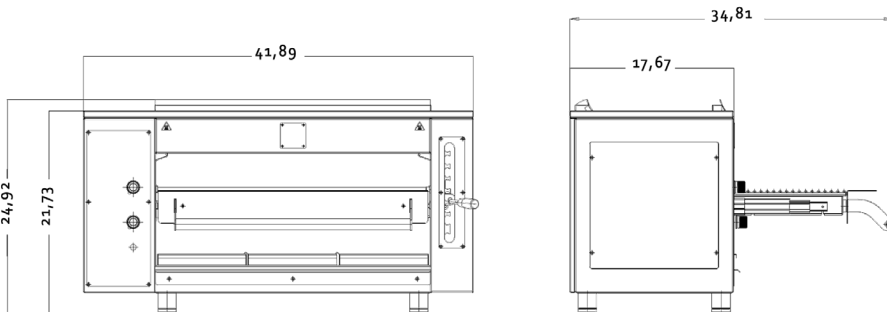
HEREFORD-E



HEREFORD-G

- Ideal for Steakhouse finding a perfect cooking solution
- Stackable
- Strong design all in stainless steel 304 (316SS available under special request)
- Fast warm up time, 3 minutes to have the unit ready.
- Cooking grid is height adjustable.
- Grease collectors are removable.
- All part removable are dishwasher safe

| SPECIFICATIONS | | |
|--------------------------|---|---|
| | HEREFORD-E | HEREFORD-G |
| Power Supply | 220V/60Hz/3ph | Gas (inlet 1/2" NPT) |
| Power | 208V 8.2 KW / 240V 10KW 3 PH 60Hz | |
| Gas consumption | | Propane Pressure 10 IWC 11 kW 37,532 BTU/H Natural Gas Pressure 5 IWC 12 kW 40,854 BTU/H |
| (element) Temperature | (2 - Glass ceramic infrared) 850°C / 1562 °F | (2 - infrared burner) 850°C / 1562 °F |
| Grid Dimensions | W27.95" x D14.72" | W27.95" x D14.72" |
| Lighting | Energy regulator | Piezoelectric |
| Weight | 209 Lbs | 209 Lbs |
| External Dim (WxDxH) | 41.89"x22.63"x24.92" | 41.89"x22.63"x24.92" |
| Shipping Dim. | 30"x43"x34" | 30"x43"x34" |



*Gas version include Gas regulator 1/2" NPT

*Gas version include LPG Kit to field conversion

With simplicity,
Transform your venue
in a real steakhouse.

OVERFIRE BROILER



MADE IN ITALY



ABERDEEN

Painted version available under request



Up to
1562°F / 850°C



ABERDEEN-E

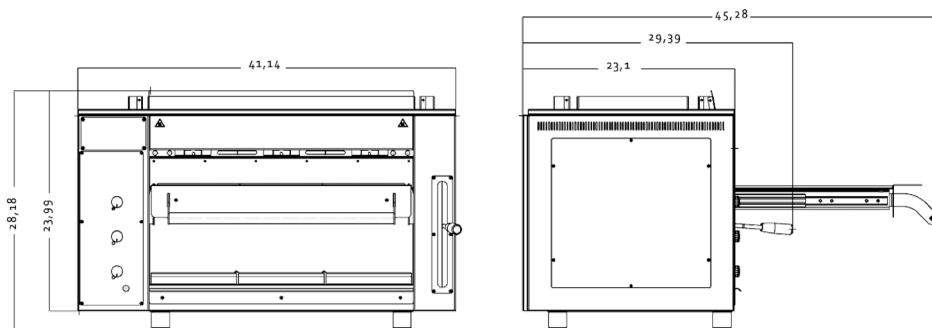


ABERDEEN-G

- Ideal for Steakhouse finding a perfect cooking solution
- Stackable
- Strong design all in stainless steel 304 (316SS available under special request)
- Fast warm up time, 3 minutes to have the unit ready.
- Cooking grid is height adjustable.
- Grease collectors are removable.
- All part removable are dishwasher safe

SPECIFICATIONS

| | ABERDEEN-E | ABERDEEN-G |
|--------------------------|---|---|
| Power Supply | 220V/60Hz/3ph | Gas (inlet 1/2" NPT) |
| Power | 208V 10KW / 240V 13KW 3 PH 60Hz | |
| Gas consumption | | Propane Pressure 10 IWC 16.5 kW 56298 BTU/H Natural Gas Pressure 5 IWC 18 kW 61281 BTU/H |
| (element) Temperature | (3 - Glass ceramic infrared) 850°C / 1562 °F | (3 - infrared burner) 850°C / 1562 °F |
| Grid Dimensions | W26.85" x D18.66" | W26.85" x D18.66" |
| Lighting | Energy regulator | Piezoelectric |
| Weight | 247 Lbs | 247 Lbs |
| External Dim (WxDxH) | 41.14"x29.39"x28.18" | 41.14"x29.39"x28.18" |
| Shipping Dim. | 30"x43"x34" | 30"x43"x34" |



*Gas version include Gas regulator 1/2" NPT

*Gas version include LPG Kit to field conversion

With simplicity,
Transform your venue
in a real steakhouse.

OVERFIRE BROILER



MADE IN ITALY



HIGHLANDER


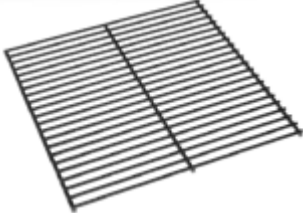

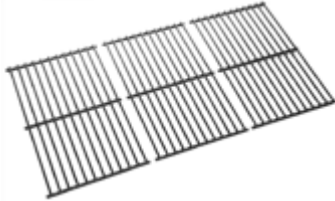







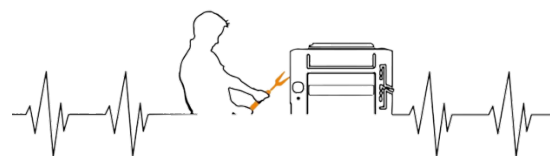
HEREFORD



ABERDEEN

ACCESSORIES

| | | | |
|--|---|--|---|
| <p>RWGR0039 Skewer</p> |  | <p>RWGR0038 Black high performance grid kit Highlander</p> |  |
| <p>RWGR0031 Skewer XL</p> |  | <p>RWGR0034 Black high performance grid kit Hereford</p> |  |
| <p>RWGR0032 Grid XL</p> |  | <p>RWGR0035 Black high performance grid kit Aberdeen</p> |  |
| <p>RWGR0033 Grill PRO Table</p> |  | <p>RWGR0036 Fish holder</p> |  |
| <p>RWGR0037 Spray Cleaner 1 Box=12 bottles</p> |  | | |



Passion for Success

OVERFIRE BROILER



MADE IN ITALY



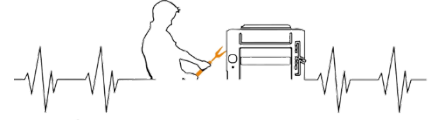
HIGHLANDER



HEREFORD



ABERDEEN



Passion for Success

Painted version
available under request



Marine 316 Stainless Steel
Version available
under request

OVERFIRE BROILER



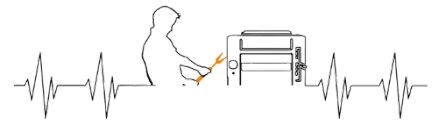
HIGHLANDER



HEREFORD



ABERDEEN



Passion for Success


What to know

Product Categories Applications

| Application | Over-Fired Broiler | Cheesemelter | Salamander | Conveyor Broiler |
|-------------------------------|--------------------|--------------|------------|------------------|
| Melt/Brown Cheeses | Yes ✓ | Yes | Yes | Yes |
| Toast Breads | Yes ✓ | Yes | Yes | Yes |
| Broil Fish and Vegetables | Yes ✓ | Yes | Yes | Yes |
| Caramelize Proteins | Yes ✓ | No | Yes | Yes |
| Cook Large Quantities of Food | Yes ✓ | No | No | Yes |
| Food Production Capability | No | No | No | Yes |
| Cook Thick Pieces of Proteins | Yes ✓ | No | No | No |
| Finish Proteins | Yes ✓ | No | Yes | Yes |
| Retherm | Yes ✓ | Yes/No | Yes | Yes |

Electric Broiler in the US market

| | AMPTO | American Range | Garland/US Range | Jade | Montague | Southbend | Vulcan |
|----------|-------|----------------|------------------|------|----------|-----------|--------|
| GAS | YES ✓ | YES | YES | YES | YES | YES | YES |
| ELECTRIC | YES ✓ | NO | NO | NO | NO | NO | NO |

 Fast warm up time, 3 minutes to have the unit ready!



 Up to 1562°F / 850°C