

Project: _____

Item: _____

Quantity: _____

Universal Stepped-Angle Rack



1640



1642



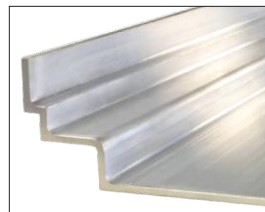
1635



1637

Designed to accommodate a wide variety of pan styles and sizes, these racks are equipped with extra wide stepped-angles, securely welded to a heavy duty frame - Giving you the freedom to mix-and-match pans and trays on one rack to suit your needs

- Specially designed to hold trays by the bottom ensuring equal load distribution for easy, "worry free" handling.
- Heavy duty, stepped-angle guides are extra-wide and feature ribs that allow pans to slide on and off with ease; minimizing the galling or flaking that can occur with heavy usage.
- Guides are completely welded, vertically and horizontally, providing maximum strength and eliminating cracks and crevices that trap dirt
- Equipped with four 5" heavy duty, plate type swivel casters. Wheels feature a (non-marking) polyurethane tread that protects floors and minimizes noise.
- Lifetime Guarantee against rust and corrosion.
- Five-Year Guarantee against material defects and workmanship.
- NSF Certified.



Stepped-Angle Profile

PAN SIZES:

18" x 13"	Bun Pans
18" x 26"	Bun Pans
20" x 20"	Cup & Glass Racks
20 3/4" x 25 1/2"	European Std. Gastro-Norm Pans
10" x 20"	Roast & Bake Pans
20" x 22"	Roast & Bake Pans
14" x 18"	Service Trays
15" x 20"	Service Trays
12" x 20"	Steamtable Pans



New Age Industrial Corp., Inc. || NewAgeIndustrial.com || Made in the USA 

PO Box 520 • 16788 US Hwy 36 • Norton, Kansas 67654 || Phone: (800) 255-0104 • (785) 877-5121 || Fax: (877)-877-7687 • (785) 877-2616

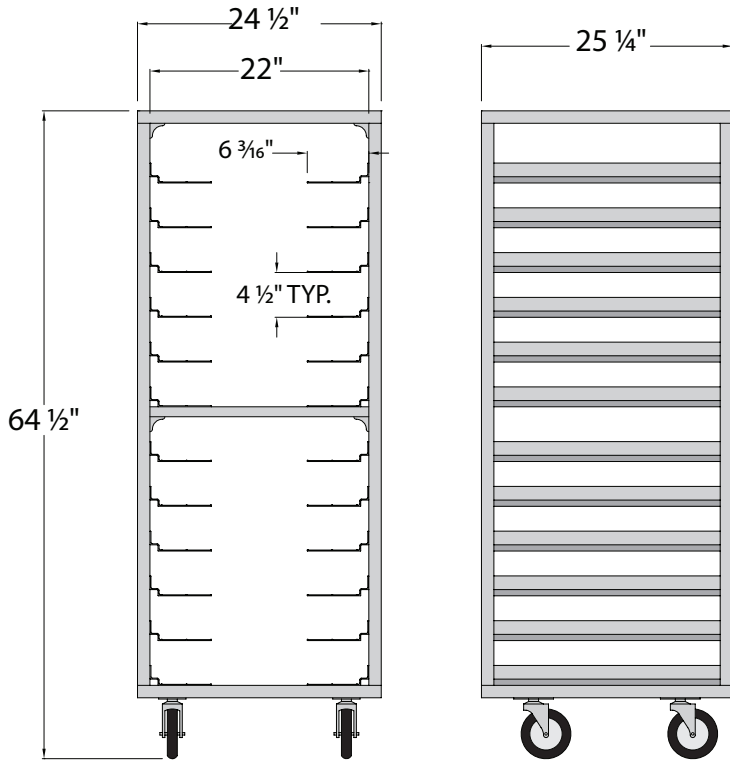
This information is for general sales and engineering use only. New Age Industrial reserves the right to modify or make changes at any time, without notice, to materials and specifications.

Project: _____

Item: _____

Quantity: _____

Universal Stepped-Angle Rack



1635

PAN SIZES:

18" x 13"	Bun Pans
18" x 26"	Bun Pans
20" x 20"	Cup & Glass Racks
20 3/4" x 25 1/2"	European Std. Gastro-Norm Pans
10" x 20"	Roast & Bake Pans
20" x 22"	Roast & Bake Pans
14" x 18"	Service Trays
15" x 20"	Service Trays
12" x 20"	Steamtable Pans

MATERIAL:

Frame constructed of 1 1/4" x 1 1/2" x .070" wall tubing, stepped-angles are 2" x 6 3/16" with a thickness of .100".

CASTERS:

These racks come equipped with four 5" plate type swivel casters for easy maneuverability.

GUARANTEE:

These racks carry a Lifetime-Guarantee against rust and corrosion and also a Five-Year Guarantee against material defects and workmanship.

► Universal Stepped-Angle Rack

Model No.	Size W-H-D	Pan Slides	Runner Spacing	Ship Lbs.
Universal Stepped-Angle Racks				
1640	24 1/2" x 70 1/8" x 26"	13 pair	4 1/2"	90
1642	24 1/2" x 71 1/8" x 26"	20 pair	3"	156
Universal Roll-In Stepped-Angle Racks				
1635	24 1/2" x 64 1/2" x 25 1/4"	12 pair	4 1/2"	82
1637	24 1/2" x 64 1/2" x 25 1/4"	18 pair	3"	109

All Welded Unit • Angle Runners Are NOT ADJUSTABLE

Four 5" plate type swivel casters.

OPTIONS: Options may not be NSF Certified. Contact the factory.

- Caster Locks (2)** - Add "CL" suffix to model #.
- Corner Bumpers (4)** - Add "B" suffix to model #.
- Solid Base** - Add "E" suffix to model #.
- Perimeter Bumper** - Add "PB" suffix to model #.
- Pan Stop** - Add "PS" suffix to model #.
- Vertical Bumpers (4)** - Add "VB" suffix to model #.



New Age Industrial Corp., Inc. || NewAgeIndustrial.com || Made in the USA

PO Box 520 • 16788 US Hwy 36 • Norton, Kansas 67654 || Phone: (800) 255-0104 • (785) 877-5121 || Fax: (877)-877-7687 • (785) 877-2616

This information is for general sales and engineering use only. New Age Industrial reserves the right to modify or make changes at any time, without notice, to materials and specifications.