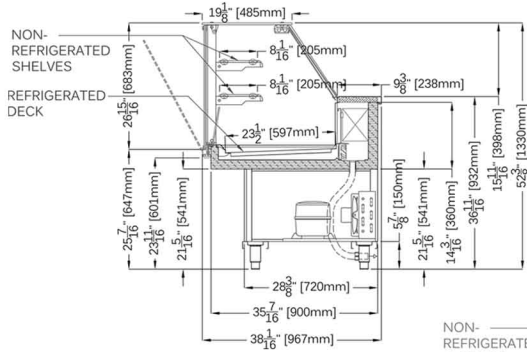


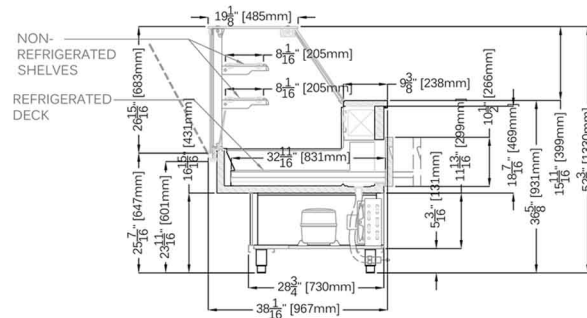
CLASSIC SQUARE

Deli/Pastry Showcase

DELI/PASTRY WITHOUT DRAWERS



DELI/PASTRY WITH DRAWERS



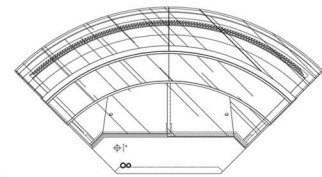
STANDARD FEATURES

- Stainless steel insulated body with tubular painted galvanized chassis
- Silver trim finish
- Dixell digital controller
- Air cooled condensing unit
- Temperature front and side glass single pane with anti-fog serigraph
- Lift up hydraulic front glass
- LED lighting
- Plexiglass sliding doors
- Stainless steel work bench
- Pastry with drawer (static refrigeration)
- Cases ship standard unfinished front and stainless steel skin sides

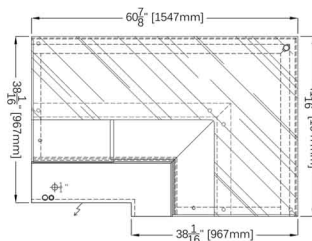
OPTIONS

- Marble/Granite work counter
- RAL color finish/wood laminate
- Champagne trim finish
- Roll down curtain
- Remote/water cooled unit
- Matching front cabinetry counters with top glass
- Stainless steel step up deck shelf
- Cold storage option with static refrigeration and separate control
- Casters

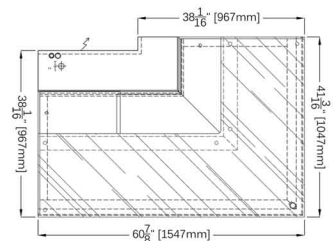
A90 CURVE



A90 SQUARE - LEFT



A90 SQUARE - RIGHT



CLASSIC SQUARE DELI/PASTRY

TECHNICAL FEATURES		MODELS						
		CLASSIC SDP1000	CLASSIC SDP1500	CLASSIC SDP2000	CLASSIC SDP2500	CLASSIC SDP3000	CLASSIC SDPA90C	CLASSIC SDPA90SQ
External Dimensions (L-D-H)	Inches	39 1/2" - 38 1/16" - 52 3/8"	59 1/8" - 38 1/16" - 52 3/8"	78 3/4" - 38 1/16" - 52 3/8"	98 1/2" - 38 1/16" - 52 3/8"	118 1/4" - 38 1/16" - 52 3/8"	80 1/16" - 38 1/16" - 52 3/8"	** 41 3/16" - 38 1/16" - 52 3/8"
	Inches-MM	1000 - 967 - 1330	1500 - 967 - 1330	2000 - 967 - 1330	2500 - 967 - 1330	3000 - 967 - 1330	2034 - 967 - 1330	1047 - 967 - 1330
Crated Dimensions (L-D-H)	Inches	44" - 42 1/2" - 57"	65" - 42 1/4" - 57"	84 3/4" - 42 1/4" - 57"	102 3/4" - 42 1/4" - 57"	122 3/4" - 42 1/4" - 57"	86" - 42 1/4" - 57"	47" - 42 1/4" - 57"
	Inches-MM	1100 - 1056 - 1447	1600 - 1056 - 1447	2100 - 1056 - 1447	2600 - 1056 - 1447	3100 - 1056 - 1447	2184 - 1056 - 1447	1193 - 1056 - 1447
Power Supply	(V)	120V	120V	120V	120V	120V	120V	120V
BTU'S @ +14°F Evap	BTU'S	1600 BTU'S	2016 BTU'S	2560 BTU'S	3072 BTU'S	3072 BTU'S	2400 BTU'S	2400 BTU'S
Amperage	(A)	5A	5.5A	8.5A	8.6A	11A	5A	5A
Deck Operating Temperature*	°F	39°F	39°F	39°F	39°F	39°F	39°F	39°F
Net Weights	Kg/Lb	147Kgs / 323Lbs	186Kgs / 410Lbs	224Kgs / 492Lbs	271Kgs / 596Lbs	314Kgs / 722Lbs	186Kgs / 410Lbs	186Kgs / 410Lbs
Crated Weights	Kg/Lb	157Kgs / 297Lbs	200Kgs / 440Lbs	239Kgs / 526Lbs	291Kgs / 640Lbs	334Kb / 734Lbs	200Kgs / 440Lbs	200Kgs / 440Lbs

* DIMENSIONS ARE WITHOUT SIDE PANELS

* ANY AND ALL SHELVES ABOVE THE DECK WILL NOT BE REFRIGERATED ON THESE MODELS

** PLEASE SEE PLAN VIEW FOR ADDITIONAL DIMENSIONS

* Manufacturer reserves the right to change specifications without notice. Not responsible for error and omissions.



361-367 Beach Road, Burlingame, CA 94010
 Tel: 855.885.2400 | 650.342.2400 | Fax: 650.342.7400
 sales@oscartek.com | www.oscartek.com

