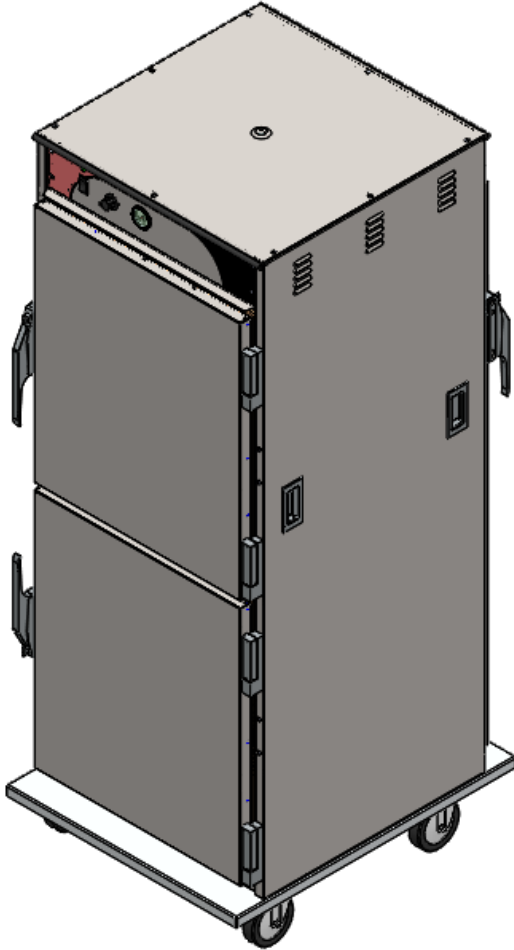




# Temper Select Pass-Thru Heated Holding Cabinet

*Innovative Foodservice Equipment Custom Designed For Performance, Service and Value*

## Quality Proofing and Holding Cabinets



HTSS74W121-PT

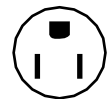


### FULL SIZE PASS-THRU UNIVERSAL WIDTH MODEL

HTSS74W12-PT

#### Standard Features:

- Pass-Thru design speeds cleaning by eliminating hard to reach corners. Makes loading and unloading quick and easy
- Temperature adjustable from 60°F (15.6°C) to 215°F (102°C) for heating and holding a variety of foods
- Top mounted convection heat and humidity system maintains even cabinet temperatures and ensures quick pre-heating and rapid recovery
- Removable top water pan provides additional humidity for hard to hold items
- Solid state controls provide the highest degree of accuracy and reliability, prepared foods are held at a consistent serving temperature
- Fully insulated cabinet prevents heat loss and keeps foods hot and ready to serve
- Completely removable interior components for quick and easy cleaning
- Welded wire pan supports accept a variety of pans and screens
- All stainless steel & aluminum construction
- Heavy-duty plate-type casters with 5" hard neoprene wheels, front two with brakes
- Heavy duty field reversible doors with self closing lift off hinges and magnetic latches
- Magnetic door gaskets
- Recessed stainless steel side mounted (front and rear) pull grips provide easy mobility
- 120V, 15A, 1PH service standard NEMA 5-15P

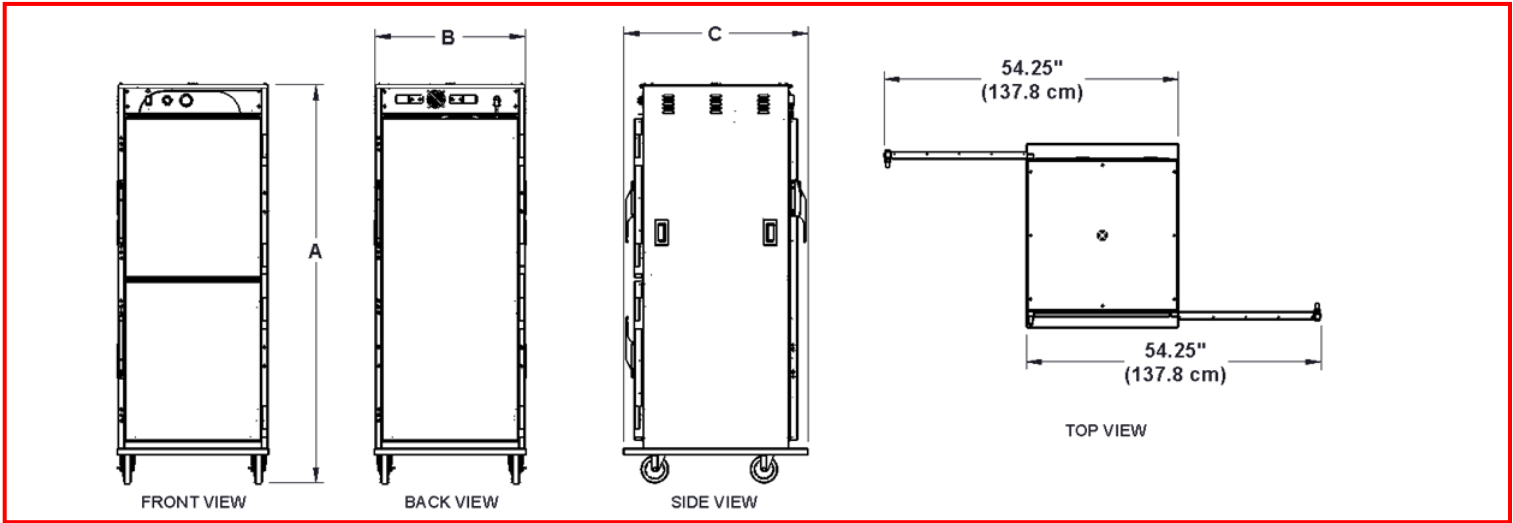


NEMA 5-15



# Temper Select Pass-Thru Heated Holding Cabinet

Item No. \_\_\_\_\_  
 Approval: \_\_\_\_\_  
 Date: \_\_\_\_\_



BEVLES MODEL NO.	CAPACITY			DIM A (H)		DIM B (W)		DIM C (D)		INSIDE HGT		SHIP WT.		ACTUAL WT.	
	18x26	12x20	*SPC'G	IN	CM	IN	CM	IN	CM	IN	CM	LBS	KGS	LBS	KGS
HTSS74W12	12	24	4.5*	73.75	187	28	71	34	87	58	148	355	161	305	139

\* Adjustable on 1.50" centers \*\* Also accommodates 19" x 19" and 23" x 23" screens

ELECTRICAL	VOLTAGE	WATTS	AMPS	ELECTRIC SERVICE	PHASE	HERTZ	CLEARANCES
STANDARD	120	1200	10	15A Dedicated Circuit	1	60	ZERO CLEARANCE CABINET
OPTIONAL	208-230	2000	9.7/8.7	15A Dedicated Circuit	1	50/60	ZERO CLEARANCE CABINET

**CONSTRUCTION:**

- Exterior 20 ga 304 #3 finish stainless steel
- Interior 22 ga 304 2B finish stainless steel
- Exterior door panel 20 ga 304 #3 stainless steel
- Interior door panel 22 ga 400 BA finish stainless steel
- Internal framework 18 ga 304 stainless steel
- Full insulated doors, sides, top and base
- Latch Heavy duty magnetic door latch with cool-to-touch handle and turn knob lock
- Hinges Heavy duty lift off self-closing, chrome plated
- Door Gasket Magnetic NSF approved Santoprene
- Base: .125 Formed aluminum with welded corners
- Side air ducts 22 ga 304 2B Stainless steel

**PAN SUPPORTS:**

- Pan Supports welded wire 304 stainless steel pan supports adjustable on 1.50" centers

**HEATING MODULE & CONTROLS:**

- Top mounted dual coil heating unit , heating elements rated at 600watts @ 120v, or 1000 watts @ 208-230v
- Easy to operate controls feature 20 amp rated rocker switch, and

pilot light, precision variable thermostat, 2" dial thermometer Cord and Plug: 8' cord with 15A molded plug (NEMA 5-15P); 208/230 volt models provided with cord only

**CASTERS:**

- Heavy-duty plate type casters, with 5" hard neoprene wheels; all swivel, with wheel brakes on front two casters

**OPTIONS AND ACCESSORIES**

- Reverse door hinging
- Magnetic latch with key lock
- Corner bumpers of gray non-marking vinyl (set of 4)
- Perimeter bumper of gray non-marking vinyl
- Additional universal pan supports
- 6" stainless steel legs with adjustable feet for stationary floor installation\*
- 6" casters with soft rubber wheels
- 18" x 26" chrome electroplated wire racks
- 208-230-50/60Hz electrical service

\* Note: Modifications involving casters or legs may affect height of equipment. Specifications subject to change without notice