

Blend

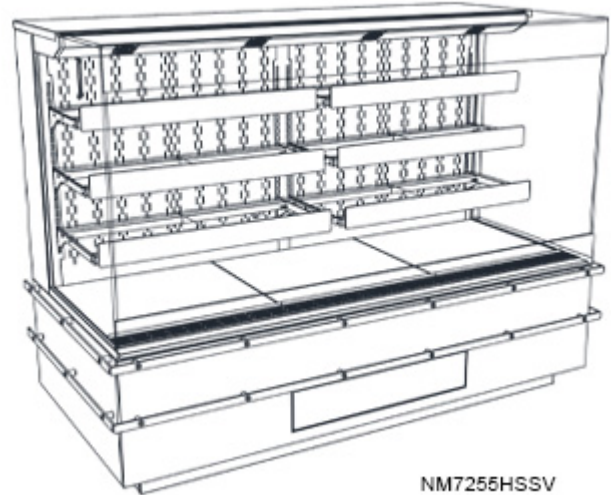
Heated Self-Service End Cap

Structural Concepts®

• NM7255HSSV

72"L x 35-1/4"D x 54-5/8"H

Shown w/ optional bumpers



NM7255HSSV

Included

- Convection heat
- Adjustable, locking casters
- LED top & shelf lights
- One year parts & labor warranty
- Stainless steel interior

| Specify | Standard Features | Additional Options |
|--------------------------------|--|--|
| LOWER CLADDING | • Powder coated (stock colors, specify RAL#) | • Laminated (non-premium) Confirm pattern/grain direction • Stainless steel |
| LOWER FRONT PANEL COLOR | • Black powder coated | • Stainless steel |
| UPPER EXTERIOR COLOR | • Powder coated (stock colors, specify RAL#) | • Stainless steel |
| BUMPER | • 1" Boston bumper (specify color) | • 1" Stainless steel plate rail bumper • None |
| SHELVING | • (3) Levels of clear glass, adjustable shelving | |
| LIGHTS | • LED 3500K w/ frosted lens | • LED 4000K w/ frosted lens |
| ELECTRICAL CONNECT | • Electrical leads (non-refrigerated) | • 6' Locking blade power cord • 6' Straight blade power cord |
| MISCELLANEOUS | | • Second year parts & labor warranty |

Blend

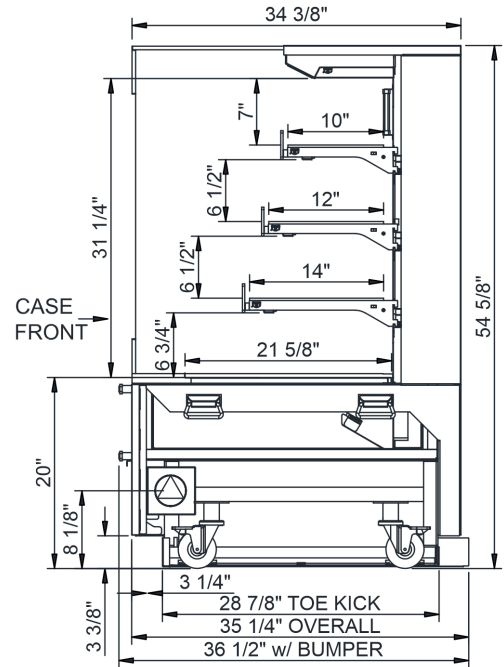
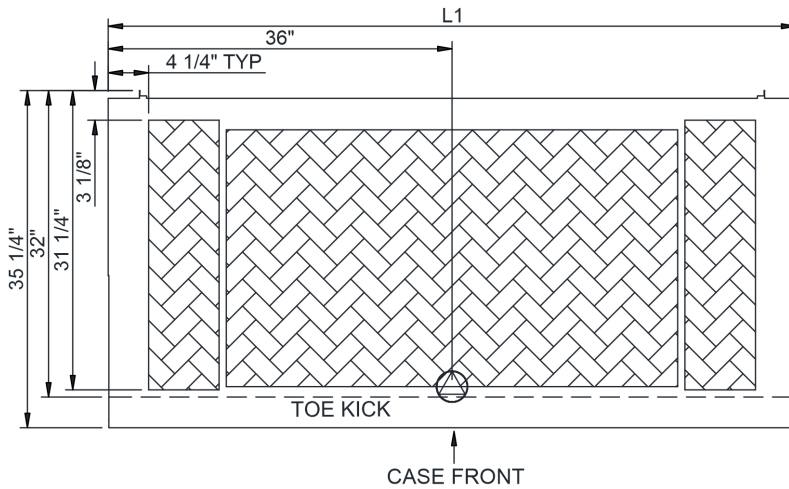
Heated Self-Service End Cap

Structural Concepts®



| | | |
|--|---|----------------------------------|
| Intended Environment: Type II - Designed to operate in ambient conditions of 80°F and 60% relative humidity unless noted otherwise in system information below. | | |
| Zone | Intended Product To Be Displayed | Warmest Avg Prod Temp ° F |
| 1 | Packaged / unpackaged heated products | 100-160 |

PLAN VIEW

SIDE VIEW



NOTE: ALL DIMENSIONS APPROXIMATE

-  ELECTRICAL JUNCTION BOX (SUPPLIED WITH 6" LEADS OR POWER CORD).
-  LOCATION OF DRAIN TUBE FOR REMOTE REF. ONLY (SUPPLIED WITH 3/4" OR 1 1/2" PVC TUBE).

-  REFRIGERATION LINE CONNECTION.
-  REMOTE FLOOR SINK & UTILITIES ACCESS AREA.

-  SELF-CONTAINED CASE SERVICE ACCESS AREA.
-  DRY CASE SERVICE ACCESS AREA.

| Model Technical Specifications | | | | | | | | | | | | | | | | |
|--------------------------------|-----|-------|-----|----------------------|------------|---------|-----|------|----------|-------|-------|-----------------|-----|-----------------|-----------------|--------|
| Model | L" | L1" | L2" | System Circuit Volts | | | Phs | Freq | Amps *** | Watts | Wires | NEMA Plug | SST | Conv. Rack BTUH | Para. Rack BTUH | Est Wt |
| NM7255HSSV | N/A | 72.00 | .00 | Heat (N/A) | Circuit #1 | 208-240 | 1 | 60 | 29.84 | 5,954 | 2+G | 6-30P or L6-30P | N/A | N/A | N/A | N/A |
| | | | | Heat (N/A) | Circuit #2 | 208-240 | 1 | 60 | 29.84 | 5,945 | 2+G | 6-30P or L6-30P | N/A | N/A | N/A | N/A |

*** Does not include electric defrost on freezer models.

Regulatory Approvals:

None



Important Notes:

- 1) ELECTRICAL NOTE: If GFCI is required, a GFCI breaker MUST be used in lieu of a GFCI receptacle.
- 2) Remove tool free front panel to fit through 36" door.
- 3) Glass warranty only applicable to first point of delivery.

⚠ WARNING: This product can expose you to chemicals, including Urethane (Ethyl Carbamate), which are known to the State of California to cause cancer and birth defects or other reproductive harm. For more information go to www.P65Warnings.ca.gov.

Note: Information is subject to change at any time. Visit www.structuralconcepts.com for the most current specs.

21782445

Revised 3-28-2022