

Item No: \_\_\_\_\_  
 Model No: \_\_\_\_\_  
 Qty: \_\_\_\_\_  
 Project: \_\_\_\_\_

**Three Compartment Soiled Pot-Dish Tabling**

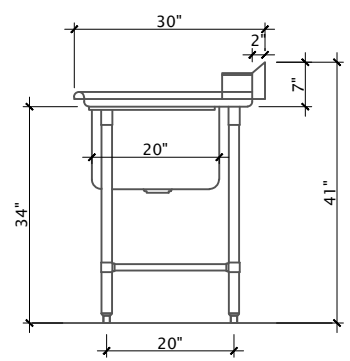
- Heavy duty 16 gauge stainless steel construction
- 7.5" backplash with 8" centre faucet holes
- Sink compartments 20x20x13"; other bowl sizes on request
- Galvanized legs and cross brace and adjustable bullet feet
- Order "L" for table left of dishwasher; order "R" for table right of dishwasher



PRB2020



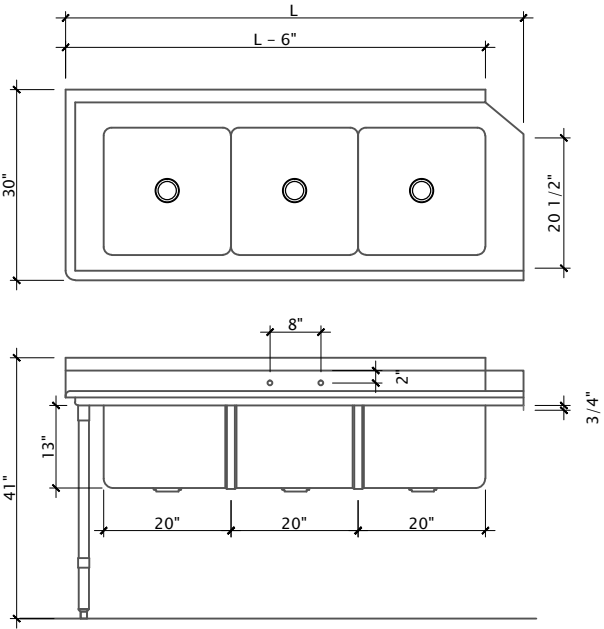
HF-1



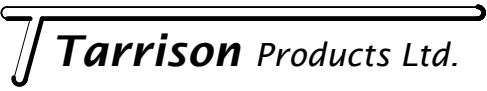
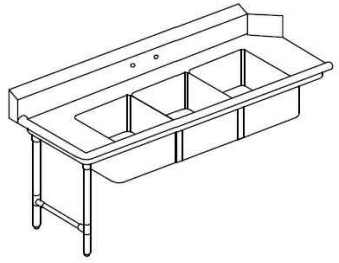
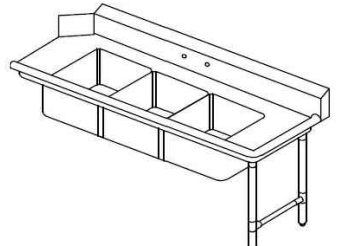
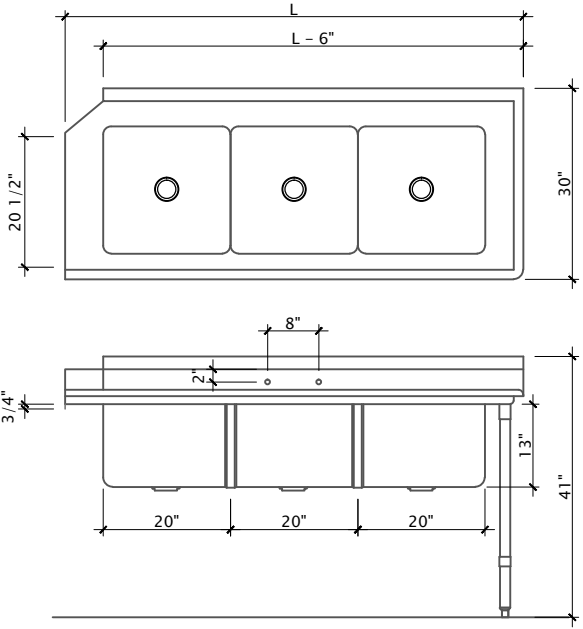
Model No.	Description	Price	Overall Size D" x L" x H"	Weight lbs.
SPDT-3-72L/R	3 compartment 72"		30 x 72 x 35	120
SPDT-3-84L/R	3 compartment 84"		30 x 84 x 35	135
PRB2020	Pre-rinse basket		20 x 20 x 5	15
HF1	H-Frame for 20x20 bowl		N/A	10

Sizes nominal, detailed specifications available upon request.  
 Specifications subject to change without notice.

**SOIL POT-DISH TABLING LEFT**



**SOIL POT-DISH TABLING RIGHT**



Corporate Head Office  
 2780 Coventry Road,  
 Oakville, Ontario, L6H 6R1  
 Phone: 905-825-9665  
 Fax: 905-825-0965  
 info@tarrison.com  
 www.tarrison.com

US Distribution Center  
 150 Gratiot Blvd,  
 Marysville, MI 48040  
 www.tarrison.com

US Sales Office  
 29 Craftsbury Crest,  
 Essex Junction, VT. 05452  
 Phone: 802-872-9292  
 info@tarrison.com  
 www.tarrison.com