

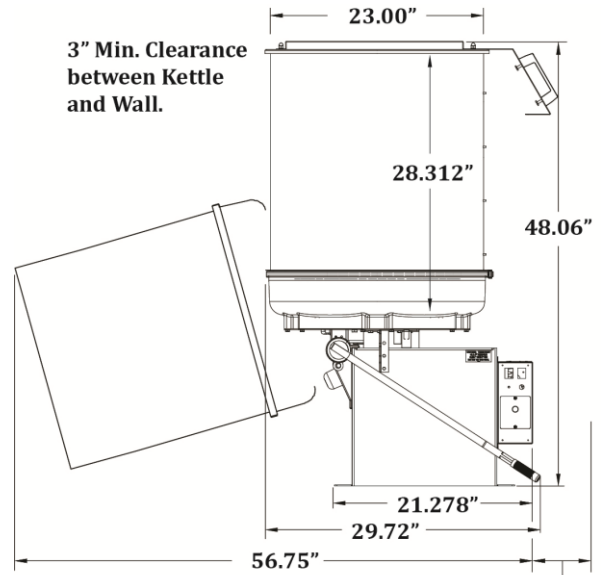


GOLD MEDAL® PRODUCTS CO.

Karmel King - Digital

Model No. 2620D and 2621D

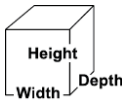
Specifications



3" Min. Clearance between Kettle and Wall.

6" Recommended Min. Clearance between wall and Cntl Box for Service.

General RH Unit shown above for dim. reference.



Model 2621D
Left Hand Dump

Model 2620D
Right Hand Dump

Overall Dimensions:

- Width:** 29.72" (75.5 cm)
- Depth:** 24.13" (61.3 cm)
- Height:** 48.06" (122.1 cm)

Reference drawing shown for additional dimensions and clearances required.

Electrical - Domestic

- 240V
- 6768 WATTS 60 Hz
- (NEMA 6-50P) Plug

Unit designed to operate on single phase, 50 AMP, 2 wire plus ground. Wall receptacle is supplied with unit.

Models:

- Model 2620D** - Right Hand Dump
- Model 2621D** - Left Hand Dump

Features:

- 20 Gallon Capacity (3-4 batches/hour)
- Electronic Temperature Control with Digital Display
- Cast Aluminum Kettle with Stainless Steel Drum

Plug Type:



NEMA 6-50P

Agency Approvals:



Gold Medal Products Co.
10700 Medallion Drive, Cincinnati, OH 45241

Ph: (513) 769-7676, (800) 543-0862; Fax: (513) 769-8500
gmpopcorn.com info@gmpopcorn.com