

PREMIUM SOILED DISH TABLE (RIGHT TO LEFT OPERATION)



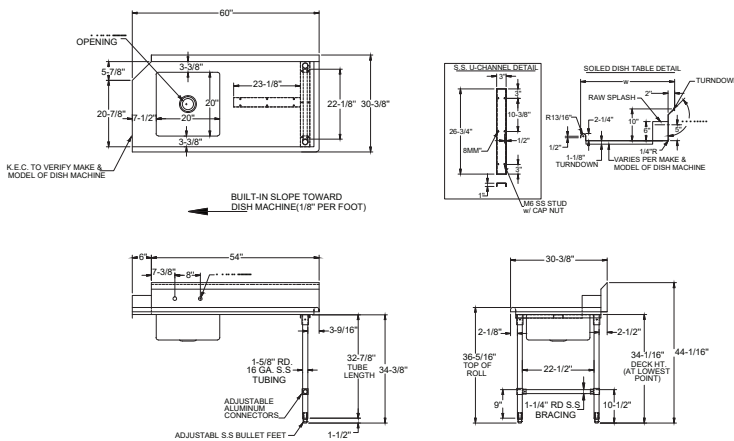
DISH TABLES - SOILED

MATERIALS

- 16 Gauge 300 Series Stainless Steel Top
- Stainless Steel Legs and Bullet Feet



**COMPATIBLE WITH
NEW NBR FAUCETS!
SEE PAGE 75**



FEATURES

- Straight Design
- 10" Backsplash with 2" Return to Wall At 45°
- 8" On-Center Wall-Mounted Faucet Holes
- Rolled Front and Side Edges
- One Deep Pre-Rinse Sink on Left Side
- Adjustable Bracing and Bullet Feet
- Drain Basket Included

MODEL NUMBER	BOWL SIZE L X W X H	LENGTH	WIDTH
SDT-26R-16	20" x 20" x 8"	26"	30- ³ / ₈ "
SDT-36R-16	20" x 20" x 8"	36"	30- ³ / ₈ "
SDT-48R-16	20" x 20" x 8"	48"	30- ³ / ₈ "
SDT-60R-16	20" x 20" x 8"	60"	30- ³ / ₈ "
SDT-72R-16	20" x 20" x 8"	72"	30- ³ / ₈ "