

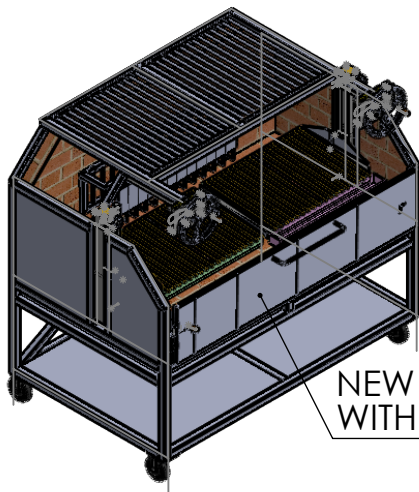
2

1

REVISIONS				
ZONE	REV.	DESCRIPTION	DATE	APPROVED
	A	RFP	1/30/18	RWG

B

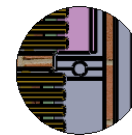
B



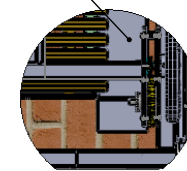
CLOCKING LIFT WHEEL SYSTEM

NEW INSULATED DOOR WITH FRONT BRICK RETAINER

GREASE TROUGH

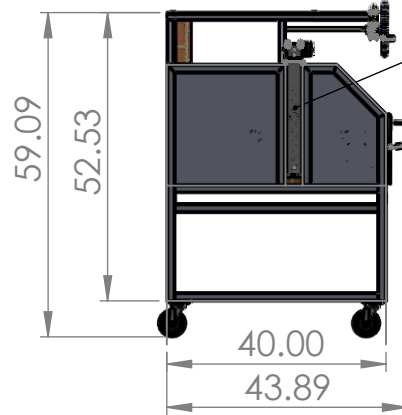
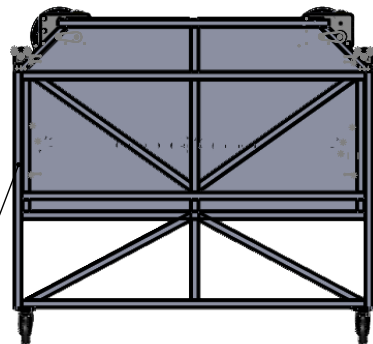


DETAIL B
SCALE 2 : 35

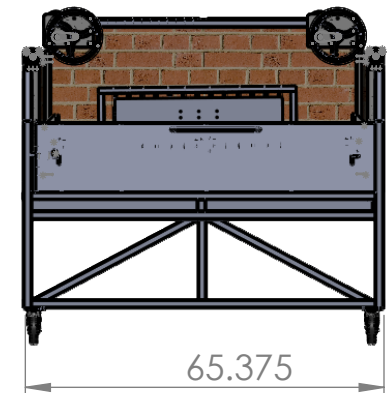


DETAIL A
SCALE 2 : 35

UPGRADED 11 GAGE TUBING



NEW LIFT SYSTEM



A

A

PROPRIETARY AND CONFIDENTIAL
THE INFORMATION CONTAINED IN THIS DRAWING IS THE SOLE PROPERTY OF GRILLWORKS. ANY REPRODUCTION IN PART OR AS A WHOLE WITHOUT THE WRITTEN PERMISSION OF GRILLWORKS IS PROHIBITED.

		UNLESS OTHERWISE SPECIFIED:	NAME	DATE
		DIMENSIONS ARE IN INCHES	DRAWN	RWG
		TOLERANCES:	CHECKED	1/30/18
		FRACTIONAL	ENG APPR.	
		ANGULAR: MACH BEND	MFG APPR.	
		TWO PLACE DECIMAL .02	Q.A.	
		THREE PLACE DECIMAL .01	COMMENTS:	
		INTERPRET GEOMETRIC TOLERANCING PER:		
		MATERIAL		
		FINISH		
NEXT ASSY	USED ON			
APPLICATION		DO NOT SCALE DRAWING		

GRILLWORKS

TITLE:
NEW X SYSTEM INFIERNO

SIZE	DWG. NO.	REV
A	GR-X66-0000	A
SCALE: 1:50	WEIGHT:	SHEET 1 OF 1

2

1