



# T&S BRASS AND BRONZE WORKS, INC.

2 Saddleback Cove / P.O. Box 1088  
Travelers Rest, SC 29690

Model No.

**B-0133-EE-CR-8C**

Item No.

Travelers Rest, SC: 800-476-4103 • Simi Valley, CA: 800-423-0150 • Fax: 864-834-3518 • www.tsbrass.com

This Space for Architect/Engineer Approval

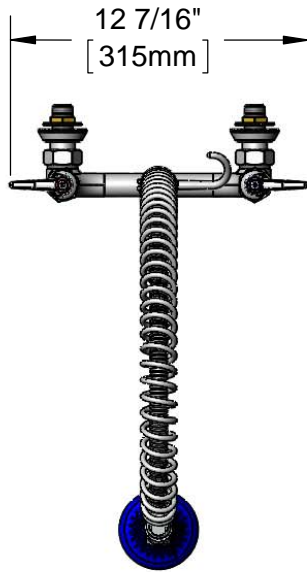
Job Name \_\_\_\_\_ Date \_\_\_\_\_

Model Specified \_\_\_\_\_ Quantity \_\_\_\_\_

Customer/Wholesaler \_\_\_\_\_

Contractor \_\_\_\_\_

Architect/Engineer \_\_\_\_\_



44" Flexible Stainless Steel Hose w/ Spring & Spray Valve

Items Not Shown For Clarity

Finger Hook

3/8" NPT x 18" Riser

EasyInstall Lock Nut & Bushing

Quarter-Turn Cerama Cartridges w/ Check Valves & Lever Handles w/ Color Coded Indexes

B-0108-C  
0.65 GPM  
Low Flow Spray Valve

Ø 2" [51mm] Flanges w/ 1/2" NPT "EE" Male Inlets

3 5/8" [92mm]

8" [203mm]

33 5/16" [846mm]

5 9/16" [141mm]

2 5/16" [59mm]

14 7/16" [366mm]

3/16" [4mm]

Maximum Thickness

Rough-In Requirement:  
(2) Ø 1" [25mm] Mounting Holes

Mounting Surface

### Product Specifications:

Pre-Rinse Unit: EasyInstall 8" Wall Mount Mixing Faucet, Cerama Cartridges w/ Check Valves, Lever Handles, 44" Flexible Stainless Steel Hose, 0.65 GPM Spray Valve & 1/2" NPT "EE" Male Inlets

### Product Compliance:

ASME A112.18.1 / CSA B125.1  
NSF 61 - Section 9  
NSF 372 (Low Lead Content)  
EPA Act 2005 (PRSV)  
EPA WaterSense (PRSV)



# T&S BRASS AND BRONZE WORKS, INC.

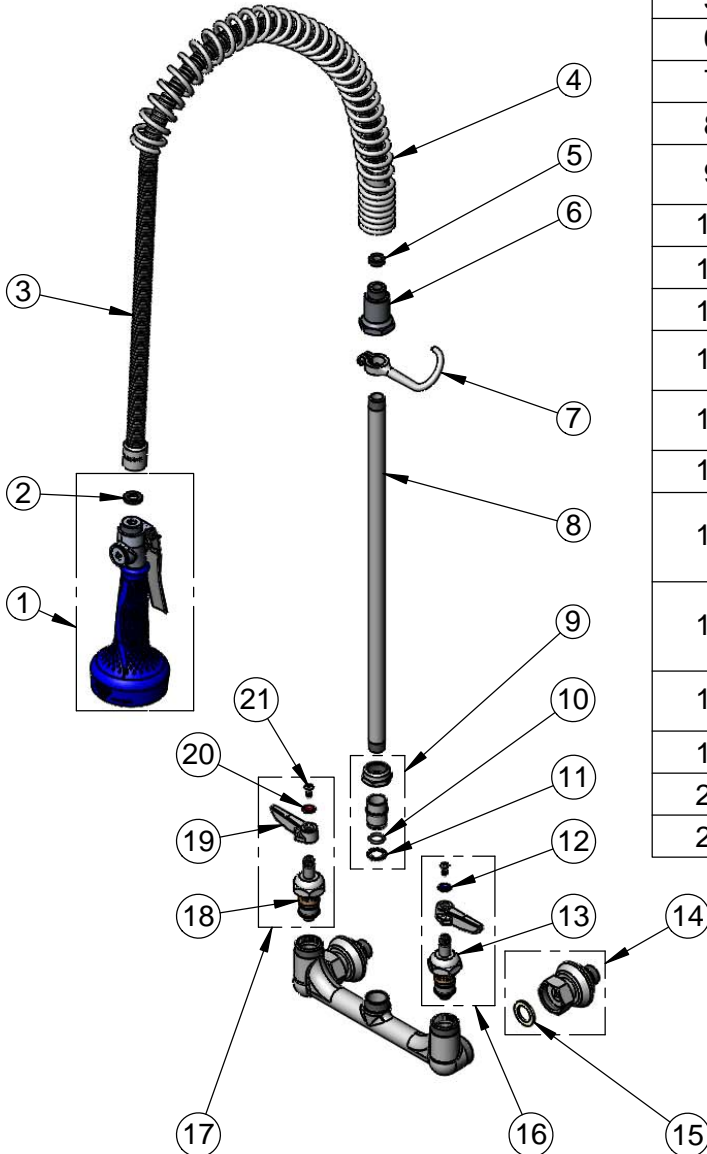
2 Saddleback Cove / P.O. Box 1088  
Travelers Rest, SC 29690

Model No.

**B-0133-EE-CR-8C**

Item No.

Travelers Rest, SC: 800-476-4103 • Simi Valley, CA: 800-423-0150 • Fax: 864-834-3518 • www.tsbrass.com



| ITEM NO. | SALES NO.  | DESCRIPTION  |
|----------|------------|--|
| 1        | B-0108-C   | 0.65 GPM Low Flow Spray Valve w/ Ergo-Grip                               |
| 2        | 001014-45  | Washer, B-0100 Hose Barrel   |
| 3        | B-0044-H2A | 44" Flexible Stainless Steel Hose, Less Handle                           |
| 4        | 000888-45  | EasyInstall Overhead Spring  |
| 5        | 010476-45  | #27 Washer   |
| 6        | 000821-40  | Spring Body  |
| 7        | 004R       | Finger Hook  |
| 8        | 000369-40  | 3/8" NPT x 18" Riser   |
| 9        | EZ-K       | EasyInstall Kit: Nut, Bushing, O-ring & Lock Washer                      |
| 10       | 001065-45  | O-Ring   |
| 11       | 014200-45  | Star Washer, Anti-Rotation   |
| 12       | 001660-45  | Blue Index-CW  |
| 13       | 012395-25  | Quarter-Turn Cerama Cartridge, LTC w/ Check Valve                        |
| 14       | 00EE       | 1/2" NPT Male Inlet w/ Adjustable Flange                                 |
| 15       | 001019-45  | Coupling Nut Washer  |
| 16       | 012447-25  | Quarter-Turn Cerama Cartridge, LTC w/ Check Valve, Handle, Index & Screw |
| 17       | 012446-25  | Quarter-Turn Cerama Cartridge, RTC w/ Check Valve, Handle, Index & Screw |
| 18       | 012394-25  | Quarter-Turn Cerama Cartridge, RTC w/ Check Valve                        |
| 19       | 001638-45  | Lever Handle   |
| 20       | 001661-45  | Red Index-HW   |
| 21       | 000922-45  | Lever Handle Screw   |

**Product Specifications:**

Pre-Rinse Unit: EasyInstall 8" Wall Mount Mixing Faucet, Cerama Cartridges w/ Check Valves, Lever Handles, 44" Flexible Stainless Steel Hose, 0.65 GPM Spray Valve & 1/2" NPT "EE" Male Inlets

**Product Compliance:**

ASME A112.18.1 / CSA B125.1  
NSF 61 - Section 9  
NSF 372 (Low Lead Content)  
EPA Act 2005 (PRSV)  
EPA WaterSense (PRSV)