

KitchenAid®

BCG111, BCG211,
BCGSGA



BLADE COFFEE GRINDER SAFETY

IMPORTANT SAFEGUARDS

When using electrical appliances, basic safety precautions should always be followed, including the following:

1. Read all instructions.
2. To protect against risk of electric shock, do not put Coffee Grinder in water or other liquid.
3. This appliance is not intended for use by persons (including children) with reduced physical, sensory, or mental capabilities, or lack of experience and knowledge, unless they are closely supervised and instructed concerning use of the appliance by a person responsible for their safety. Close supervision is necessary when any appliance is used by or near children. Children should be supervised to ensure that they do not play with the appliance.
4. Turn the appliance OFF, then unplug from the outlet when not in use, before assembling or disassembling parts, and before cleaning. To unplug, grasp the plug and pull from the outlet. Never pull from the power cord.
5. Avoid contacting the moving parts.
6. Do not operate any appliance with a damaged cord or plug or after the appliance malfunctions, or is dropped or damaged in any manner. Contact the manufacturer at their customer service telephone number for information on examination, repair, or adjustment.
7. The use of attachments not recommended or sold by KitchenAid may cause fire, electric shock, or injury.
8. Do not use outdoors.
9. Do not let cord hang over edge of table or counter.
10. Check hopper for presence of foreign objects before using.
11. Do not place on or near a hot gas or electric burner or in a heated oven.

SAVE THESE INSTRUCTIONS

This product is designed for household use only.

ELECTRICAL REQUIREMENTS

Volts: 120 Volts AC only

Hertz: 60 Hz

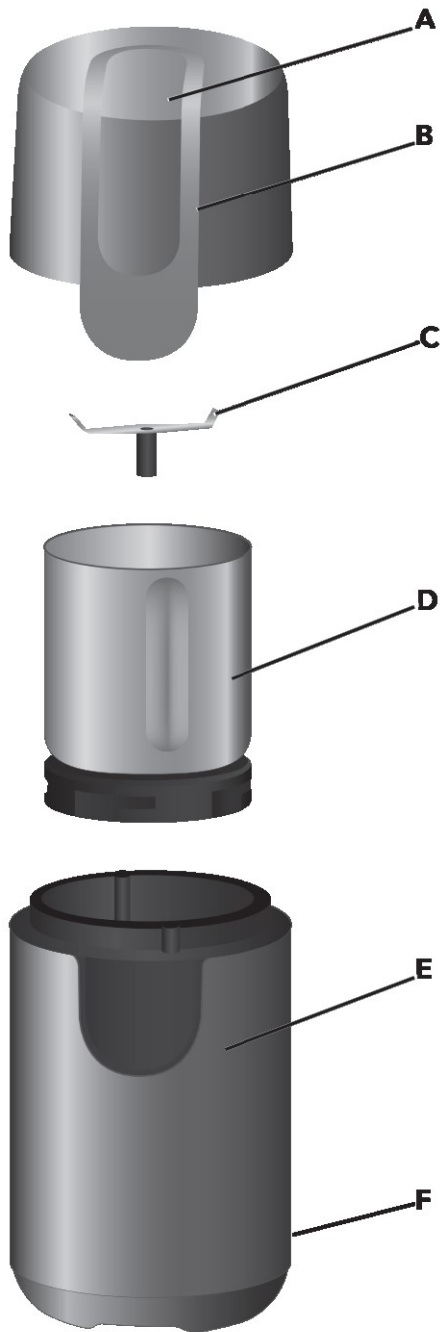
NOTE: This Coffee Grinder has a grounded plug. To reduce the risk of electrical shock, this plug will fit in an outlet only one way. If the plug does not fit in the outlet, contact a qualified electrician. Do not modify the plug in any way.

Do not use an extension cord. If the power supply cord is too short, have a qualified electrician or serviceman install an outlet near the appliance.

A short power supply cord (or detachable power supply cord) is supplied to reduce the risk resulting from becoming entangled in or tripping over a longer cord.

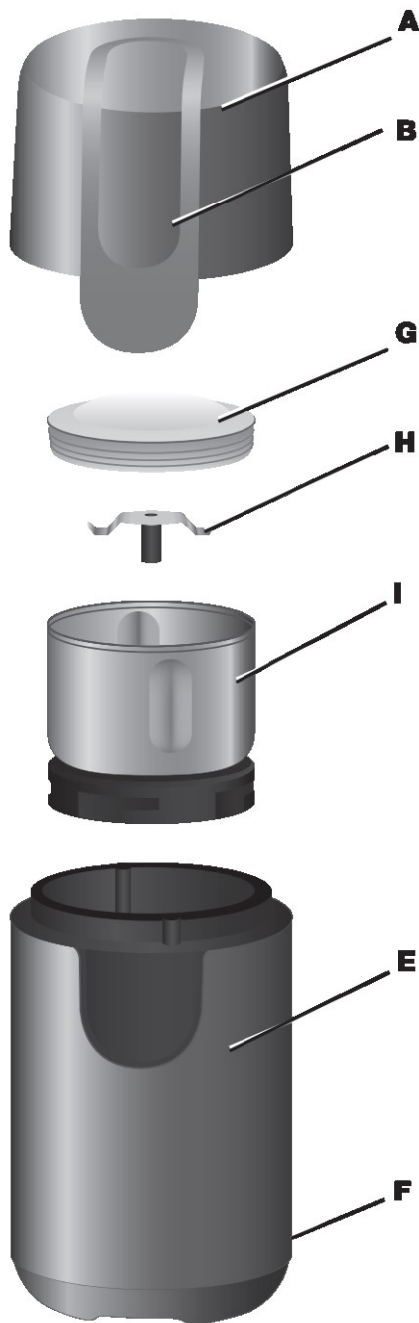
BLADE COFFEE GRINDER FEATURES

ENGLISH



- A. Clear Top Cover with fingertip control**
Push down on the clear top cover to begin grinding and release to stop grinding. Top cover must be in place to operate grinder. Cover can be washed in the top rack of a dishwasher.
- B. Dual Switch System**
Dual switch mechanism keeps the coffee grinder from operating until the top cover is correctly positioned over side guides on the motor housing.
- C. Stainless Steel Coffee Grinder Blade**
Blade is mounted inside the stainless steel bowl.
- D. Stainless Steel 4-oz. (113.7 g) Capacity Bowl**
Bowl has measurement markings etched inside for ease of processing the amount of beans needed for 4, 8, 10, or 12 cups of coffee. It locks into the motor housing with a clockwise turn. Bowl can be washed in a dishwasher.
- E. Heavy-Duty Motor Housing**
Keeps grinder stable during operation.
- F. Round Power Cord (not shown)**
Cleans easily.

SPICE GRINDER* ACCESSORY FEATURES



G. Solid Spice Grinder Bowl Lid

Place this lid on the spice grinder bowl before placing the clear top cover when grinding spices.

H. Stainless Steel Blade

Blade is mounted inside the stainless steel bowl.

I. Stainless Steel 2-oz. (62 mL) Capacity Bowl

Bowl can be used for up to 2 oz. of spices. (See the "Spice Grinding Tips" section for suggested amounts.) The bowl locks into the motor housing with a clockwise turn. Bowl can be washed in a dishwasher.

*The Spice Grinder accessory (BCGSGA) can only be used with Coffee Grinder models BCG111 and BCG211.