

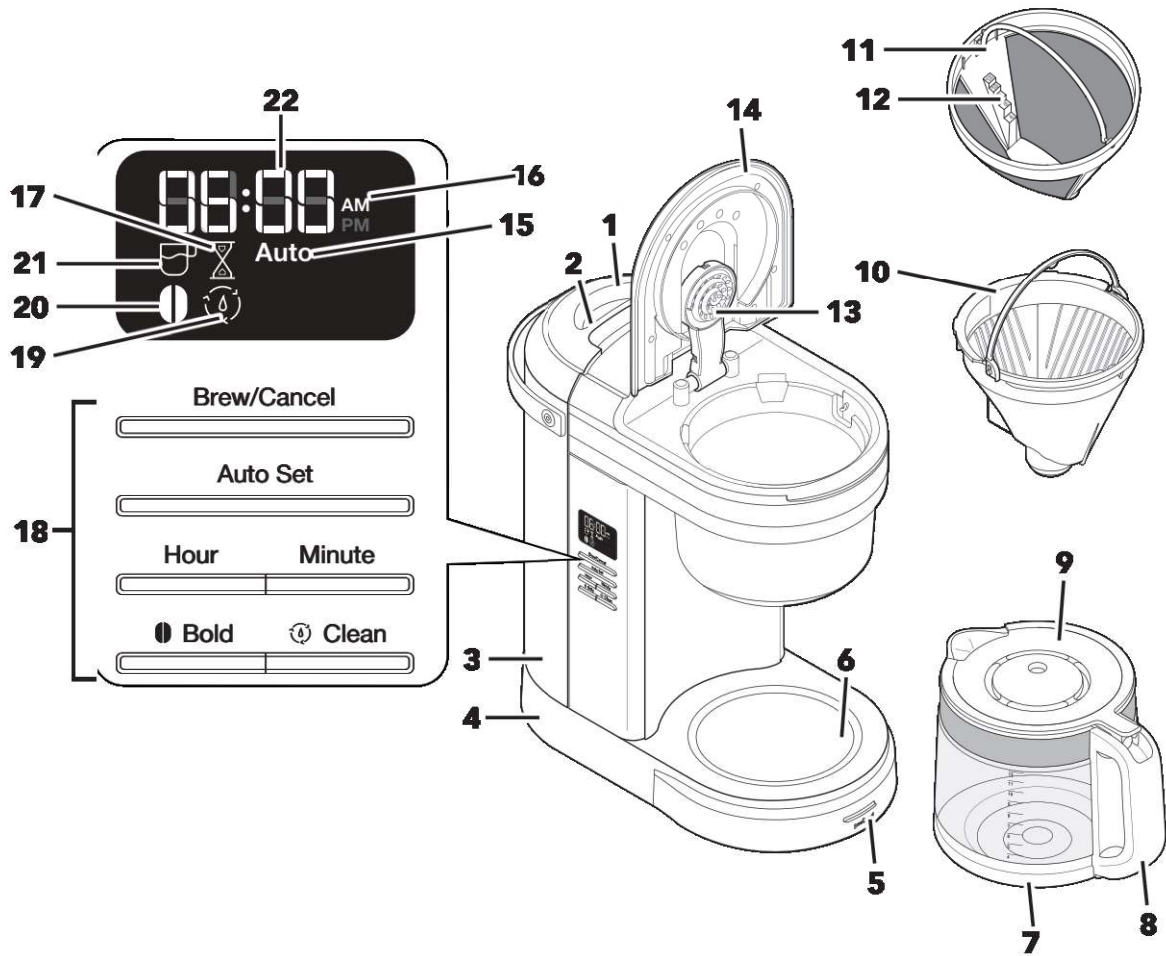
# KitchenAid®

---

Coffee Maker  
KCM1208



# PARTS AND FEATURES



- |    |                                  |    |                               |
|----|----------------------------------|----|-------------------------------|
| 1  | Water Tank Lid                   | 12 | Dosage Ladder                 |
| 2  | Water Tank Handle                | 13 | Showerhead                    |
| 3  | Water Tank                       | 14 | Brew Basket Lid               |
| 4  | Cord Storage in Base (not shown) | 15 | Auto Icon                     |
| 5  | Brew/Cancel Button               | 16 | A.M./P.M. Indicator           |
| 6  | Warming Plate                    | 17 | Remaining Keep Warm Time Icon |
| 7  | Glass Carafe                     | 18 | Control Panel                 |
| 8  | Carafe Handle                    | 19 | Clean Icon                    |
| 9  | Carafe Lid                       | 20 | Bold Icon                     |
| 10 | Brew Basket                      | 21 | Brew Icon                     |
| 11 | Gold Tone Filter                 | 22 | Clock                         |

**NOTE:** Default measurement for 1 cup = approximately 5 oz (147 ml).

# PRODUCT SAFETY

## Your safety and the safety of others are very important.

We have provided many important safety messages in this manual and on your appliance. Always read and obey all safety messages.



This is the safety alert symbol.

This symbol alerts you to potential hazards that can kill or hurt you and others.

All safety messages will follow the safety alert symbol and either the word "DANGER" or "WARNING." These words mean:

 **DANGER**

**You can be killed or seriously injured if you don't immediately follow instructions.**

 **WARNING**

**You can be killed or seriously injured if you don't follow instructions.**

All safety messages will tell you what the potential hazard is, tell you how to reduce the chance of injury, and tell you what can happen if the instructions are not followed.

## IMPORTANT SAFEGUARDS

**When using electrical appliances, basic safety precautions should always be followed, including the following:**

1. Read all instructions.
2. Do not touch hot surfaces. Use handles or knobs.
3. Do not operate any appliance with a damaged cord or plug or after the appliance malfunctions, or is dropped or damaged in any manner. Contact the manufacturer at their customer service telephone number for information on examination, repair, or adjustment.
4. To protect against fire, electric shock and injury to persons do not immerse appliance in water or other liquid.
5. Unplug from outlet when not in use and before cleaning. Allow to cool before putting on or taking off parts, and before cleaning the appliance.
6. Close supervision is necessary when any appliance is used by or near children.
7. Do not let cord hang over the edge of table or counter or touch hot surfaces.
8. Do not place on or near a hot gas or electric burner, or in a heated oven.
9. The use of attachments not recommended or sold by KitchenAid may cause fire, electrical shock, or injury.
10. This appliance is not intended for use by persons (including children) with reduced physical, sensory or mental capabilities, or lack of experience and knowledge, unless they have been given supervision or instruction concerning use of the appliance by a person responsible for their safety.
11. Do not use the appliance outdoors.
12. Do not use appliance for other than intended use.
13. Do not use appliance without lid properly placed on carafe.
14. The carafe is designed for use with this appliance. It must never be used on a range top or in a microwave oven.

## PRODUCT SAFETY

15. Do not set a hot carafe on a wet or cold surface.
16. To disconnect, turn any control to “off,” then remove plug from wall outlet.
17. Scalding may occur if the lid is removed during the brewing cycles.
18. Do not use a cracked carafe or a carafe having a loose or weakened handle.
19. Do not clean carafe with abrasive cleaners, steel wool pads, or other abrasive material.
20. Do not fill the water tank above the marked maximum fill line.


## SAVE THESE INSTRUCTIONS

This product is designed for household use only.

### ELECTRICAL REQUIREMENTS

---

**⚠ WARNING**



**Electrical Shock Hazard**

**Plug into a grounded 3 prong outlet.**

**Do not remove ground prong.**

**Do not use an adapter.**

**Do not use an extension cord.**

**Failure to follow these instructions can result in death, fire, or electrical shock.**

**Voltage:** 120 VAC

**Frequency:** 60 Hz

**Wattage:** 1100 W

**NOTE:** If the plug does not fit in the outlet, contact a qualified electrician. Do not modify the plug in any way. Do not use an adapter.

Do not use an extension cord. If the power supply cord is too short, have a qualified electrician or service technician to install an outlet near the appliance.

The cord should be arranged so that it will not drape over the countertop or tabletop where it can be pulled on by children or tripped over unintentionally.