



# KitchenAid®

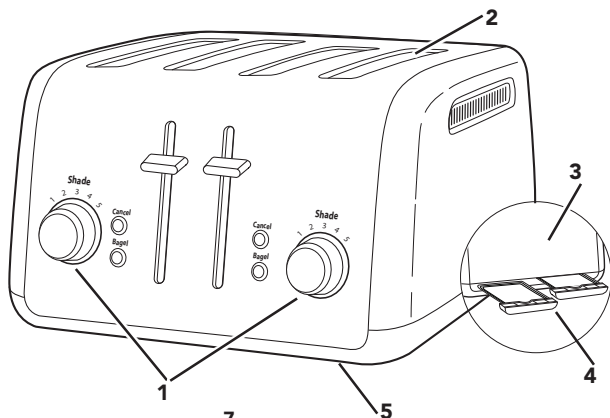
KMT2115  
KMT4115



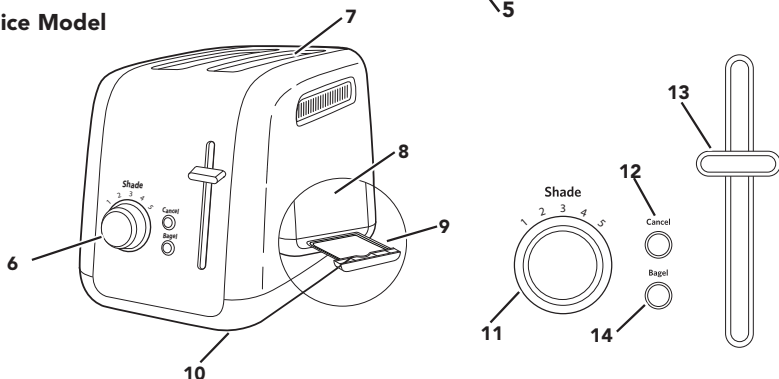


# PARTS AND FEATURES

## 4-Slice Model



## 2-Slice Model



- |   |   |
|---|---|
| <ul style="list-style-type: none"> <li>1 Dual-Independent Controls</li> <li>2 Extra-Wide Slots with Automatic Self-Centering Racks</li> <li>3 Back of Toaster</li> <li>4 Removable Crumb Tray</li> <li>5 Cord Wrap (not shown)</li> <li>6 Controls</li> <li>7 Extra-Wide Slots with Automatic Self-Centering Racks</li> </ul> | <ul style="list-style-type: none"> <li>8 Back of Toaster</li> <li>9 Removable Crumb Tray</li> <li>10 Cord Wrap (not shown)</li> <li>11 Shade Controller</li> <li>12 Cancel Button</li> <li>13 High-Lift Lever</li> <li>14 Bagel Button</li> </ul> |
|---|---|

**Extra-Wide Slots with Self-Centering Racks:** Extra-Wide Slots allow you to easily toast bread, bagels, and English muffins up to 1 1/8" (2.8 cm) thick. Self-Centering Racks help ensure even heating of thin or thick breads.

**Controls:** Easy-to-use Controls with one-touch buttons allow you to quickly select the desired settings.

**Cord Wrap:** The Cord Wrap provides convenient storage of the cord when not in use.

**Removable Crumb Tray:** The Removable Crumb Tray slides out for quick removal of crumbs. Hand-wash only.

**Dual Independent Controls (4-slice models only):** Dual Independent Controls allow you to select different settings for each pair of slots.





## PRODUCT SAFETY

### Your safety and the safety of others are very important.

We have provided many important safety messages in this manual and on your appliance. Always read and obey all safety messages.



This is the safety alert symbol.

This symbol alerts you to potential hazards that can kill or hurt you and others.

All safety messages will follow the safety alert symbol and either the word “DANGER” or “WARNING.” These words mean:

**! DANGER**

**You can be killed or seriously injured if you don't immediately follow instructions.**

**! WARNING**

**You can be killed or seriously injured if you don't follow instructions.**

All safety messages will tell you what the potential hazard is, tell you how to reduce the chance of injury, and tell you what can happen if the instructions are not followed.

## IMPORTANT SAFEGUARDS

**When using electrical appliances, basic safety precautions should always be followed, including the following:**

1. Read all instructions.
2. Do not touch hot surfaces. Use handles or knobs.
3. To protect against risk of electrical shock, do not put cord, plugs, or any parts of the Toaster in water or other liquid.
4. This appliance is not intended for use by persons (including children) with reduced physical, sensory or mental capabilities, or lack of experience and knowledge, unless they have been given supervision or instruction concerning use of the appliance by a person responsible for their safety. Children should be supervised to ensure that they do not play with the appliance.
5. Close supervision is necessary when any appliance is used by or near children.
6. Unplug from outlet when not in use and before cleaning. Allow to cool before putting on or taking off parts.
7. Do not operate any appliance with a damaged cord or plug, or after the appliance malfunctions, or is dropped or damaged in any manner. Return appliance to the nearest Authorized Service Facility for examination, repair, or adjustment.
8. The use of accessory attachments not recommended by the appliance manufacturer may cause injuries.
9. Do not use outdoors.
10. Do not let cord hang over edge of table or counter, or touch hot surfaces.
11. Do not place on or near a hot gas or electric burner, or in a heated oven.
12. To disconnect, turn any control to “off”, then remove plug from wall outlet.
13. Do not use appliance for other than intended use.



## PRODUCT SAFETY

14. Oversize foods, metal foil packages, or utensils must not be inserted in the Toaster as they may involve a risk of fire or electric shock.
15. A fire may occur if the Toaster is covered with or touching flammable material, including curtains, draperies, walls and the like, when in operation.
16. Do not attempt to dislodge food when the Toaster is plugged in.
17. The appliance is not intended to be operated by means of an external timer or separate remote-control system.
18. The bread may burn, therefore do not use the Toaster near or below combustible material, such as curtains.
19. Refer to the “Care and Cleaning” section for instructions on cleaning the surfaces in contact with food.
20. This Appliance is intended to be used in household and similar applications such as:
  - staff kitchen areas in shops, offices or other working environments;
  - farmhouses;
  - by clients in hotels, motels and other residential type environments;
  - bed and breakfast type environments.

## SAVE THESE INSTRUCTIONS

This product is designed for household use only.

### ELECTRICAL REQUIREMENTS

**⚠ WARNING**



**Electrical Shock Hazard**

**Plug into a grounded 3 prong outlet.**

**Do not remove ground prong.**

**Do not use an adapter.**

**Do not use an extension cord.**

**Failure to follow these instructions can result in death, fire, or electrical shock.**

**Voltage:** 120 Volts AC only  
**Frequency:** 60 Hz  
**Wattage:** 900 W (KMT2115),  
 1800 W (KMT4115)

**NOTE:** The Toaster has a 3-prong grounded plug. To reduce the risk of electrical shock, this plug will fit in an outlet only one way. If the plug does not fit in the outlet, contact a qualified electrician. Do not modify the plug in any way.

Do not use an extension cord. If the power supply cord is too short, have a qualified electrician or service technician to install an outlet near the appliance.

The cord should be arranged so that it will not drape over the countertop or tabletop where it can be pulled on by children or tripped over unintentionally.

