

Project: _____	AIA# _____
Item #: _____ Qty: _____	SIS# _____
Model #: _____	

Add-On Cabinet Bases

ACB	ACB-12, ACB-14, ACB-18, ACB-20, ACB-24, ACB-28, ACB-30, ACB-34, ACB-36, ACB-40, ACB-42, ACB-46, ACB-48
------------	--



Intertek

4004503

Conforms to ANSI/NSF STD 2

ACB-18

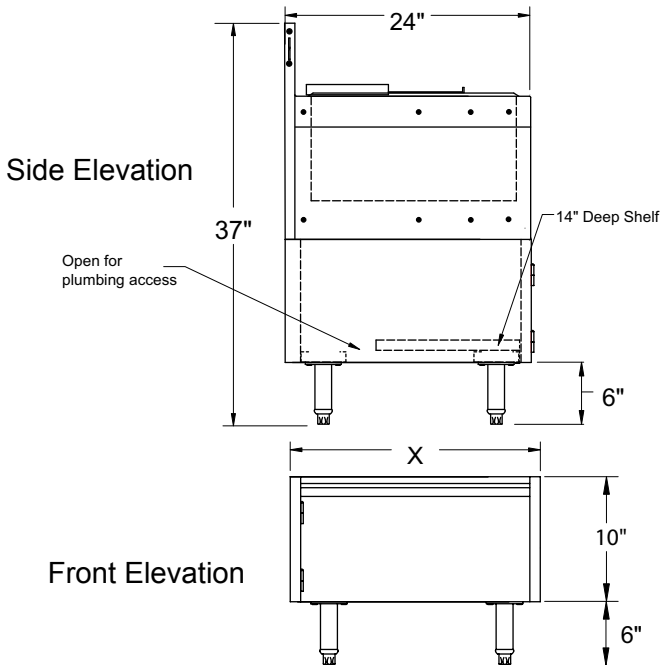
Product Information

Add-on cabinet bases are designed to be installed beneath standard Glastender underbar to provide additional storage and enhance the look of your bar by making plumbing less visible.

Standard Features

- All stainless steel
- Adjustable stainless steel bullet feet
- Integral door handle(s)
- Removable, partial floor provides plumbing access
- Dual-wall construction for a finished, easy-to-clean interior

Drawings



Model Number	X	Doors
ACB-12	12"	One
ACB-14	14"	One
ACB-18	18"	One
ACB-20	20"	One
ACB-24	24"	Two
ACB-28	28"	Two
ACB-30	30"	Two
ACB-34	34"	Two
ACB-36	36"	Two
ACB-42	42"	Two
ACB-46	46"	Two
ACB-48	48"	Two

To view underbar installation instructions, please visit:
https://www.glastender.com/PDF/F-750-165_Underbar_Installation_Instructions.pdf
 To view cleaning and care instructions, please visit: https://www.glastender.com/PDF/F-423-011_ss_clean_care.pdf

Glastender, Inc. • 5400 N Michigan Rd • Saginaw, MI • 48604-9780 989.752.4275 • 800.748.0423 • Fax 989.752.4444 www.glastender.com	Approval/Notes:
Specifications subject to change without notice. For current specifications please visit our website.	