

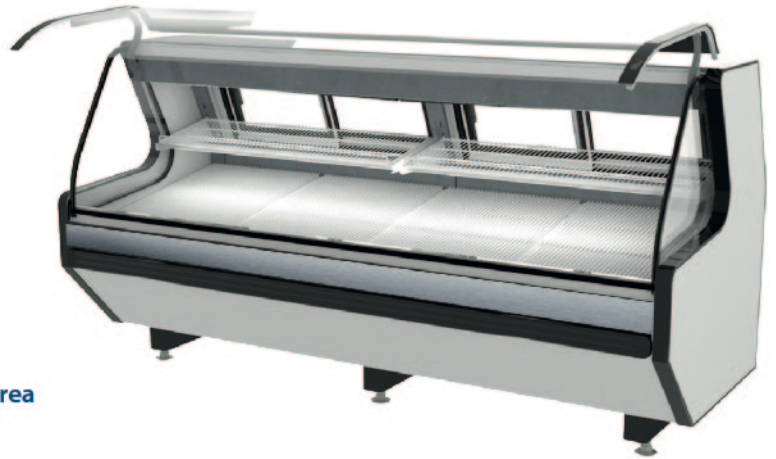
REMOTE, FRESH RED MEAT DISPLAY-LIFT GLASS

MODEL: MCRU 100 WL

PRO-KOLD

Product features

- Easily removable, (4) rear sliding doors for ease of loading and unloading product
- Lift front glass for ease of loading, unloading, and cleaning.
- Full length, split display levels for product enhancement and promotion
- Fully adjustable, wire epoxy shelves on upper display level
- High visibility, primary interior display area (32 F - 44 F)
Frozen, undercounter, rear storage area (14F-27F)
- Sliding work table on rear rails that run the length of the unit
- Stainless steel top
- Forced air cascade cooling system in lower, rear storage area
- Interior exhibition gravity cooling system to promote product longevity
- Front bumper strategically placed to assist in avoiding accidents and damage to unit
- LED lighting for enhanced product display
- Corrosion resistant, white finish interior
- Modular design



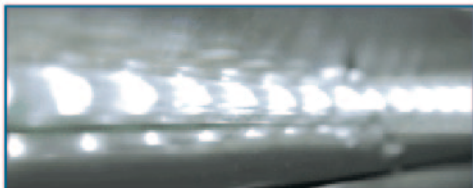
Available Color

WHITE

Accessories

- Stainless steel fish trays

Product highlights



LED Lighting



Sliding, rear work table



Rear, undercounter storage

Certifications



Warranty

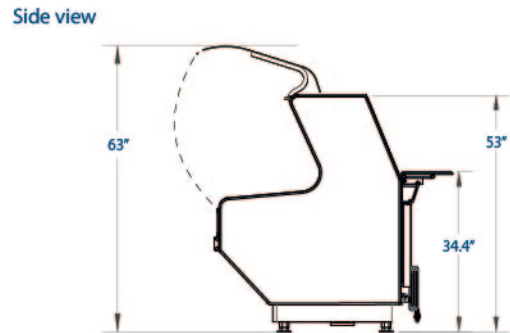
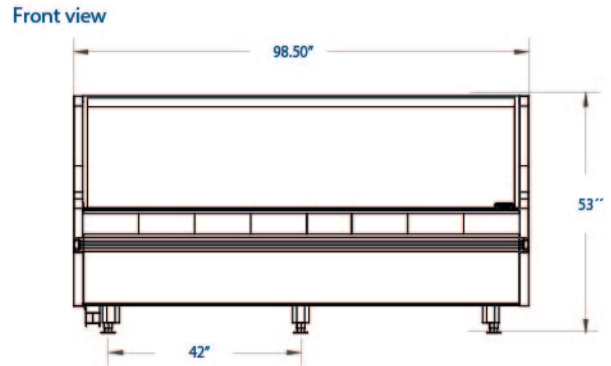
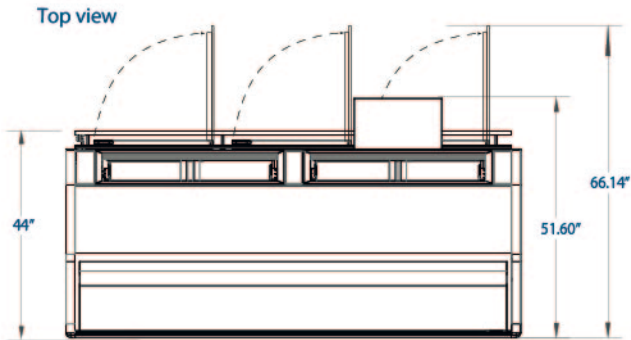
- 2 year parts and labor

Residential: Assumes on liability for parts or labor coverage for component failure, factory defect or any other damages for units installed in non-commercial foodservice or residential applications.

PRODUCT SPECIFICATIONS
MODEL: MCRU 100WL



Plan view



Technical data

Dimensions

External dimensions	W: 98.50" D: 44" H: 53"
Internal dimensions	W: 94" D: 33" H: 20"
Net volume	26 ft3 (750 Lts.)
Gross weight	959 Lbs.
Packaging dimensions	W: 100" D: 53" H: 55"

Electrical data

Power supply	110v/ 60 Hz (lights)
Amps	13 A
Length of cord	118" (3000 mm)
Lighting	LED
Plug type	NEMA-5-15P
Controller	Manual
Compressor power	TBD (Remote)

Performance data

Refrigerant charge	TBD (Remote)
Energy consumption	TBD (Remote)
Condenser	TBD (Remote)
Evaporator	Natural convection
Evaporation temperature	5° F
Expansion method	Forced ventilation
Thawing method	Hot gas

Cooling

Temperature range	32°F to 44°F (Exhibition)
Refrigerant	R404a
Defrosting	Electric
Temperature controller	Manual
Optimum temperature range	14°F to 21.2°F

Construction

Exterior material	Pre-painted sheet metal
Interior material	Pre-painted sheet metal
Number of interior shelf levels	2
Shelf material	Pre-painted steel
Door type	Sliding glass (upper), Solid (lower)
Door quantity	Upper (4), Lower (3)

Logistic data

Trailer Loads	12 fit on a 53' trailer
Unit weight with packaging	959 Lbs.
Dimensions with packaging	W: 100" D: 53" H: 55"

* W= Width, D= Depth, H= Height