

|                |           |
|----------------|-----------|
| PROJECT:       |           |
| MODEL #:       |           |
| ITEM #:        | QTY:      |
| AVAILABLE W/H: | APPROVAL: |

## Keg Coolers



BDD69-3B-HC



BDD59-2B-HC



BDD23-1B-HC



BDD90-4B-HC

## STANDARD FEATURES

### Cabinet construction

- Stainless steel top with black vinyl coated steel walled exterior. Interior is galvanized steel with stainless steel floor.
- High density foamed in place polyurethane insulation – Environmentally safe.
- Two (2) adjustable shelves per section
- Interior height allows stacking of three "tall boy" beers
- Standard 12" stainless steel beer tower

### Refrigeration

- Hydrocarbon refrigerants (R-290) – increases energy efficiency by up to 25% compared to using HFC refrigerants. It is safer for the environment and does not cause ozone depletion.

- Front breathing, side mounted compressor unit. Compressor configuration allows unit to be efficient in narrow spaces and be serviced without being moved.
- Epoxy coated evaporator reduces potential corrosion
- Innovative hot gas frame heating system reduces condensation and increases energy efficiency.
- Refrigerators have a temperature range between 33°F ~ 39°F
- Automatic defrosting

### Doors

- Black recessed door handles
- Durable gasket with easy replacement.
- Standard door locks

### Lighting

- Interior LED lighting

### Standard

- NSF/ANSI Standard 7 compliant

### Connection

- 9 ft long flexible three wire cord with molded plug

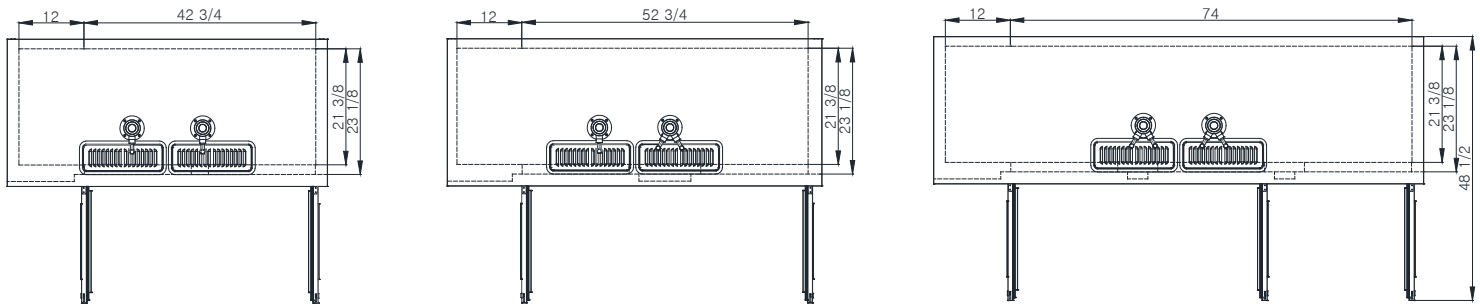
### Optional Features & Accessories

- 6" legs available
- 4" caster standard on BDD23-1B-HC model

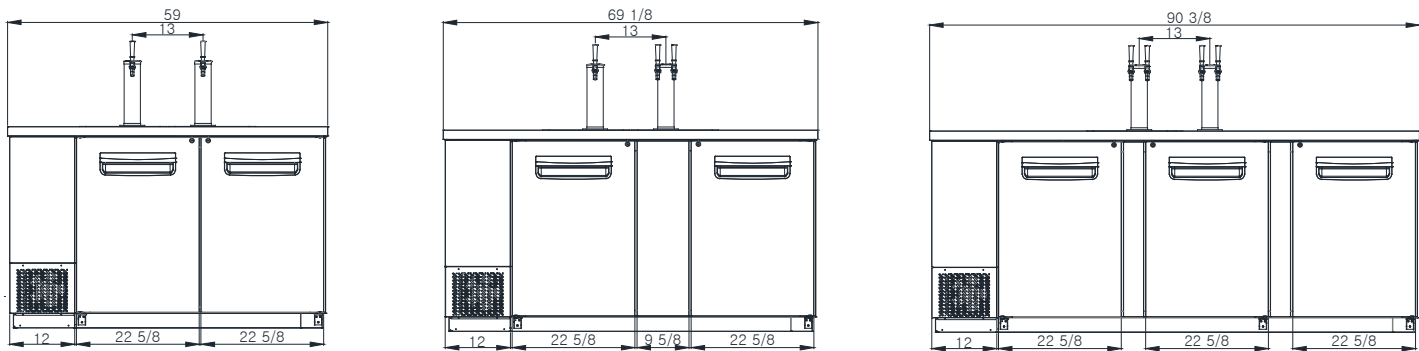
# Keg Coolers

## PRODUCT PLAN VIEW

- Top View -



- Front View -

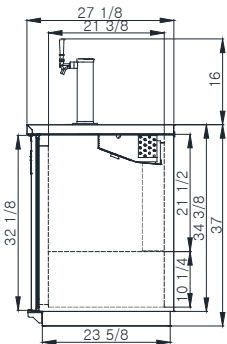


**BDD59-2B-HC**  
**BDD59-2S-HC**

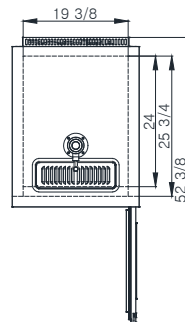
**BDD69-3B-HC**  
**BDD69-3S-HC**

**BDD90-4B-HC**  
**BDD90-4S-HC**

- Side View -

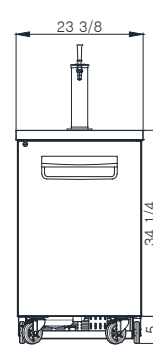


- Top View -

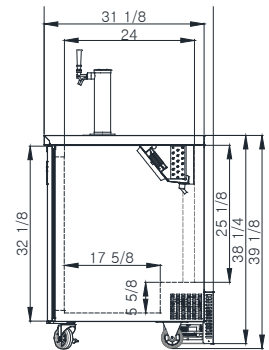


**BDD23-1B-HC**  
**BDD23-1S-HC**

- Front View -



- Side View -



## PRODUCT SPECIFICATION

### Keg Coolers

| Model          | Product Description |                   |         | Refrigerant                      | Temperature Range | Easy Maintenance        |     |             | Cord Length (ft/m) |              |                   |           |
|----------------|---------------------|-------------------|---------|----------------------------------|-------------------|-------------------------|-----|-------------|--------------------|--------------|-------------------|-----------|
|                | Key Coolers         |                   |         | R-290                            | 33°F ~ 39°F       | Sliding Condensing Unit |     |             | 9.8ft (3m)         |              |                   |           |
|                | Doors               | Capacity (Cu.Ft.) | Barrels | Cabinet Dimensions (inches / mm) |                   |                         | HP  | Voltage     | Amps               | NEMA config. | Weight (lbs / kg) |           |
|                |                     |                   | L       | D                                | H                 |                         |     |             |                    | Net Weight   | Ship Weight       |           |
| BDD23-1B(S)-HC | 1                   | 7.9               | 1ea     | 23 3/8" (595mm)                  | 31 1/8" (792mm)   | 39 1/8" (995mm)         | 1/4 | 115V / 60Hz | 3.0                | NEMA 5-15    | 126 (57)          | 132 (60)  |
| BDD59-2B(S)-HC | 2                   | 19.4              | 2ea     | 59" (1500mm)                     | 27 1/8" (688mm)   | 37" (940mm)             | 3/8 | 115V / 60Hz | 3.5                | NEMA 5-15    | 216 (98)          | 236 (107) |
| BDD69-3B(S)-HC | 2                   | 23.4              | 3ea     | 69 1/8" (1755mm)                 | 27 1/8" (688mm)   | 37" (940mm)             | 3/8 | 115V / 60Hz | 3.5                | NEMA 5-15    | 240 (109)         | 302 (120) |
| BDD90-4B(S)-HC | 3                   | 31.6              | 4ea     | 90 3/8" (2295mm)                 | 27 1/8" (688mm)   | 37" (940mm)             | 3/8 | 115V / 60Hz | 3.5                | NEMA 5-15    | 298 (135)         | 331 (150) |

\*BLUE AIR has the right to change specifications without further notice.