

Fusion

GMDS 52"H Refrigerated Service Case

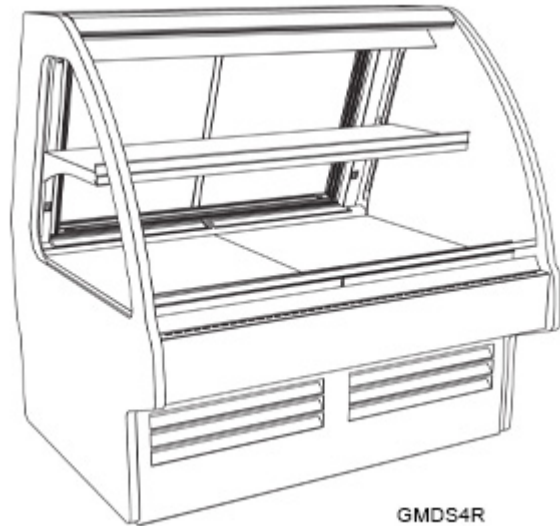
Structural Concepts®

(Lengths do not include 1-1/8" end panels)

- **GMDS4R** 48-3/4"L x 43"D x 51-5/8"H
- **GMDS5R** 60-5/8"L x 43"D x 51-5/8"H
- **GMDS6R** 73-1/8"L x 43"D x 51-5/8"H
- **GMDS8R** 97-1/2"L x 43"D x 51-5/8"H
- **GMDS12R** 146-1/4"L x 43"D x 51-5/8"H

Included

- Universal price tag molding (clear w/ open top) 3 rows
- Curved lift-up front glass
- Integrated average product temperature of 40°F or less
- LED top & shelf lights
- One year parts & labor; 5 year compressor warranty
- Remote DX refrigeration
- Stainless steel rear exterior



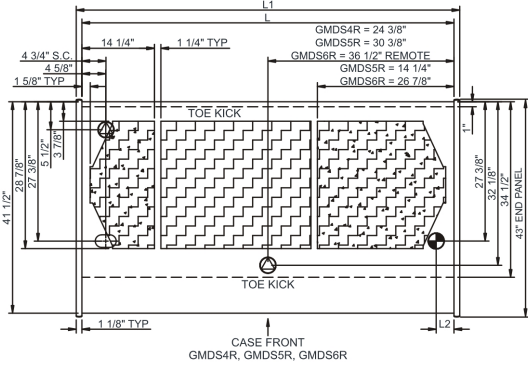
GMDS4R

Specify	Standard Features	Additional Options
EXTERIOR COLOR	• Powder coated (stock colors, specify RAL#)	• Laminated (non-premium) Confirm pattern/grain direction • Stainless steel
INTERIOR COLOR	• Black powder coated	• Stainless steel
LOWER FRONT PANEL COLOR	• Black powder coated	• Stainless steel
TRIM COLOR	• Black	• Silver
BASE	• Rail system for shims (remote)	• Casters w/ levelers (self-cont.)
BUMPER FRONT	• 1" Boston bumper (specify color)	• 1" Stainless steel plate rail bumper
END PANELS	• None (specify per line-up)	• Cutaway w/ glass (LH / RH) • End bumper (LH / RH) • Full w/stainless steel interior (LH / RH)
FRONT GLASS	• Curved	• Flat angled
SCALE STAND	• None	¹ • Scale stand w/ receptacle & CAT5 (specify location) ¹ • Scale stand w/ receptacle (specify location)
UPPER REAR	• Clear glass rear sliding doors	• Reflective glass rear sliding doors
PRICE TAG MOLDING	• None	• 1" Price tag molding (black or silver) • Universal price tag molding (clear w/ open top)
SHELVING	• 16" Solid shelf	• 12" & 20" Solid shelving
LIGHTS	• LED 3500K w/ frosted lens	• LED 4000K w/ frosted lens • LED nose light
ELECTRICAL CONNECT	• Electrical leads (remote)	• 6' Locking power cord (self-cont.) • 6' Straight blade power cord (self-cont.)
REFRIGERATION	• Remote DX refrigeration	² • Breeze w/EnergyWise s/c refrigeration • Remote w/thermostat, solenoid & TXV
SENSOR	• None	• CPC discharge air sensor (remote) • Danfoss discharge air sensor (remote)
MISCELLANEOUS		• Front glass lock • Rear door lock
ACCESSORIES		• 2"H Full depth display risers (n/a w/shelf) • Angled display steps (n/a w/shelf) • Clean Sweep® coil cleaner (n/a w/remote) • Drain strainer • Rear wrapping board, white Sanalite®

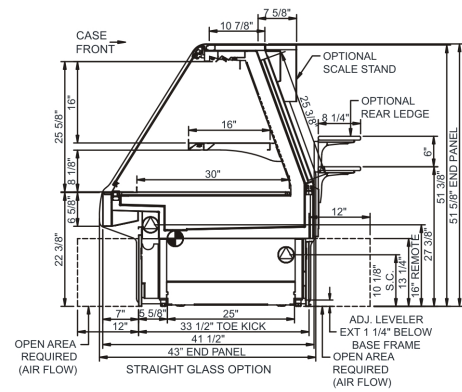
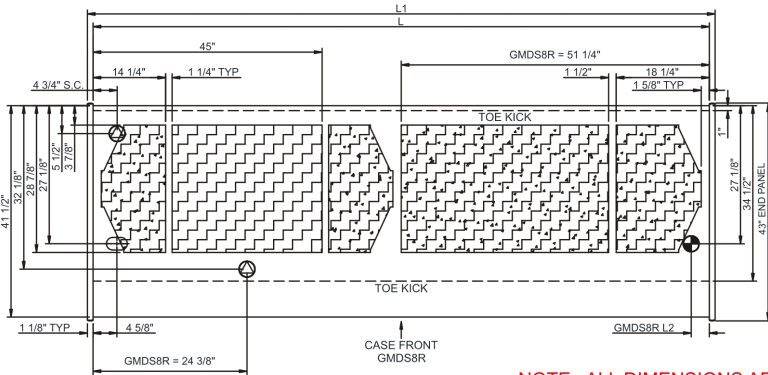
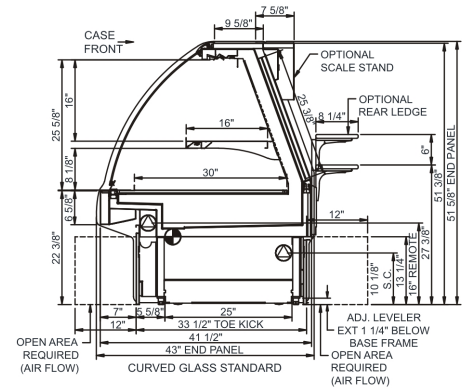
Option Notes: 1 - Separate circuit required
2 - N/A on 10ft, 12ft

Intended Environment: Type I - Designed to operate in ambient conditions of 75°F with 55% relative humidity unless noted otherwise in system information below.		
Zone	Intended Product To Be Displayed	Warmest Avg Prod Temp ° F
1	Unpackaged refrigerated products	40

PLAN VIEW



SIDE VIEW



NOTE: ALL DIMENSIONS APPROXIMATE

- ELECTRICAL JUNCTION BOX**
(SUPPLIED WITH 6" LEADS OR POWER CORD).
- REFRIGERATION LINE CONNECTION.**
- SELF-CONTAINED CASE SERVICE ACCESS AREA.**
- LOCATION OF DRAIN TUBE FOR REMOTE REF.**
ONLY (SUPPLIED WITH 3/4" OR 1 1/2" PVC TUBE).
- REMOTE FLOOR SINK & UTILITIES ACCESS AREA.**
- DRY CASE SERVICE ACCESS AREA.**

Model Technical Specifications

Model	L"	L1"	L2"	System Circuit Volts		Phs	Freq	Amps ***	Watts	Wires	NEMA Plug	SST	Conv. Rack RTUH	Para. Rack RTUH	Est Wt	
GMDS4R	48.75	51.00	3.50	Remote(Type I)	Circuit #1	110-120	1	60	2.27	234	2+G	Leads Multiple	20.00	1296	1200	950
				Remote(Type I)	Circuit #1	110-120	1	60	2.27	234	2+G	Leads Multiple	20.00	1296	1200	
				Self-Contained (R513A)	Circuit #1	110-120	1	60	10.22	779	2+G	5-15P or L5-15P	N/A	N/A	N/A	
GMDS5R	60.63	62.88	3.50	Remote(Type I)	Circuit #1	110-120	1	60	2.98	288	2+G	Leads Multiple	20.00	1728	1600	1,000
				Remote(Type I)	Circuit #1	110-120	1	60	2.98	288	2+G	Leads Multiple	20.00	1728	1600	
				Self-Contained (R513A)	Circuit #1	110-120	1	60	12.00	1,031	2+G	5-15P or L5-15P	N/A	N/A	N/A	
GMDS6R	73.13	75.38	3.50	Remote(Type I)	Circuit #1	110-120	1	60	3.35	338	2+G	Leads Multiple	-	2030	1880	1,300
				Remote(Type I)	Circuit #1	110-120	1	60	3.35	338	2+G	Leads Multiple	20.00	2030	1880	
				Self-Contained (R513A)	Circuit #1	110-120	1	60	14.82	1,071	2+G	5-20P or L5-20P	N/A	N/A	N/A	
GMDS8R	97.50	99.75	9.00	Remote(Type I)	Circuit #1	110-120	1	60	3.84	408	2+G	Leads Multiple	-	2722	2520	1,600
				Remote(Type I)	Circuit #1	110-120	1	60	3.84	408	2+G	Leads Multiple	20.00	2722	2520	
				Remote(Type I)	Circuit #1	110-120	1	60	3.84	408	2+G	Leads Multiple	20.00	2722	2520	
				Self-Contained (R449A)	Circuit #1	110-120	1	60	16.00	1,360	2+G	5-20P or L5-20P	N/A	N/A	N/A	
GMDS12R	146.25	148.50	45.13	Remote(Type I)	Circuit #1	110-120	1	60	5.10	137	2+G	Leads Multiple	-	3672	3400	N/A
				Remote(Type I)	Circuit #1	110-120	1	60	5.10	137	2+G	Leads Multiple	20.00	3672	3400	
				Remote(Type I)	Circuit #1	110-120	1	60	5.10	137	2+G	Leads Multiple	20.00	3672	3400	
				Self-Contained (DX)	Circuit #1	110-120	1	60	20.98	2,013	2+G	5-30P or L5-30P	N/A	N/A	N/A	
				Self-Contained (R449A)	Circuit #1	110-120	1	60	21.68	1,842	2+G	5-30P or L5-30P	N/A	N/A	N/A	

*** Does not include electric defrost on freezer models.

Regulatory Approvals:

All Models
 Accordance with AHR Std 1200
 ETL Listed to UL 471
 ETL Listed to CAN/CSA 22.2 No. 120
 ETL Sanitation to NSF/ANSI 7



Important Notes:

- 1) ELECTRICAL NOTE: If GFCI is required, a GFCI breaker MUST be used in lieu of a GFCI receptacle
- 2) 45" minimum door entry clearance required (without shipping skid).
- 3) Units must be shimmed during installation to ensure the unit is level and plumb.

⚠ WARNING: This product can expose you to chemicals, including Urethane (Ethyl Carbamate), which are known to the State of California to cause cancer and birth defects or other reproductive harm. For more information go to www.P65Warnings.ca.gov.