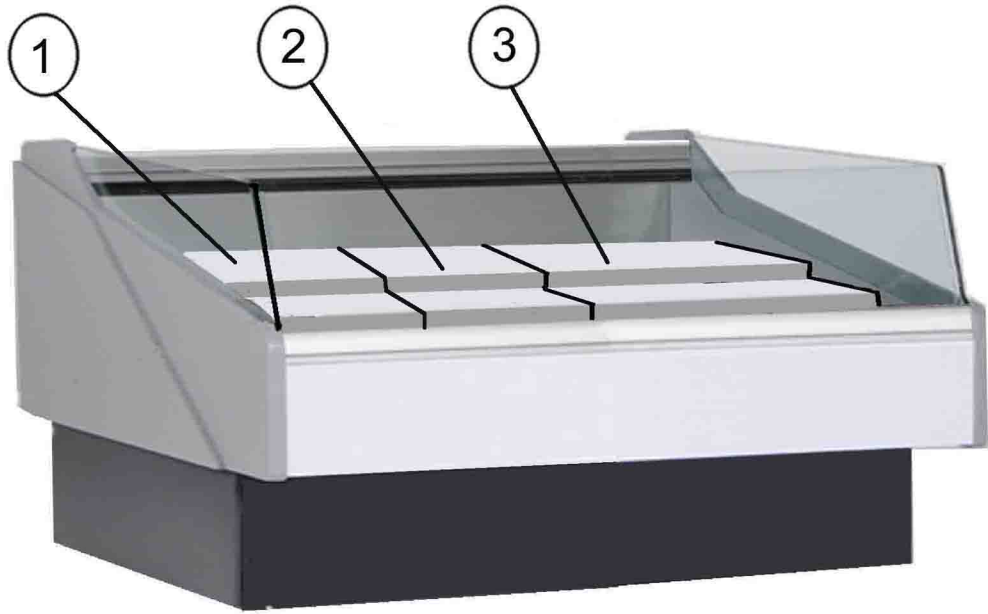
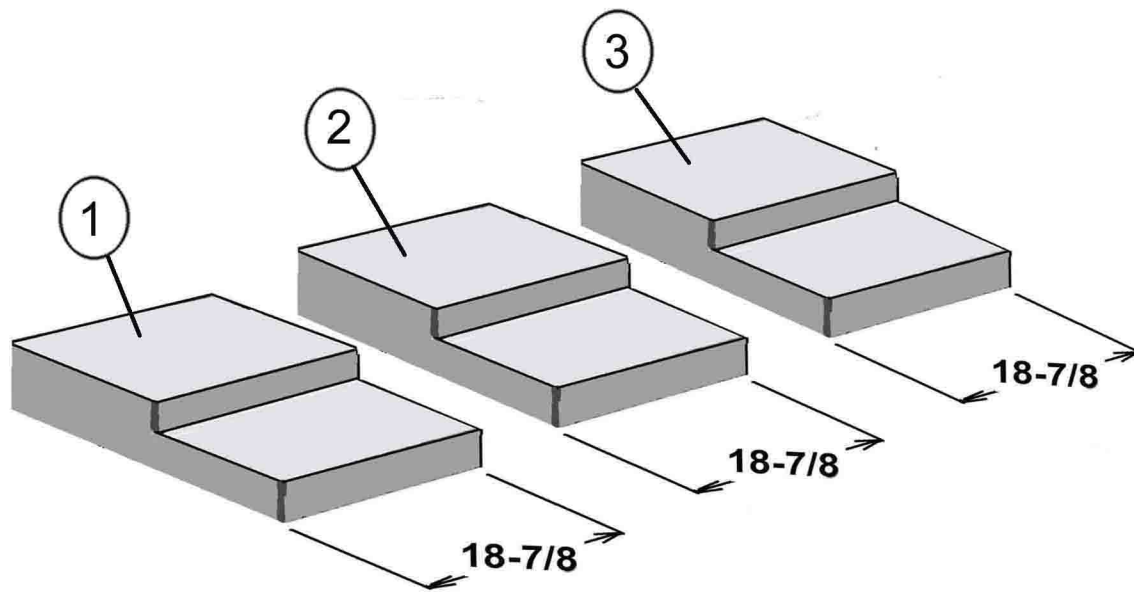
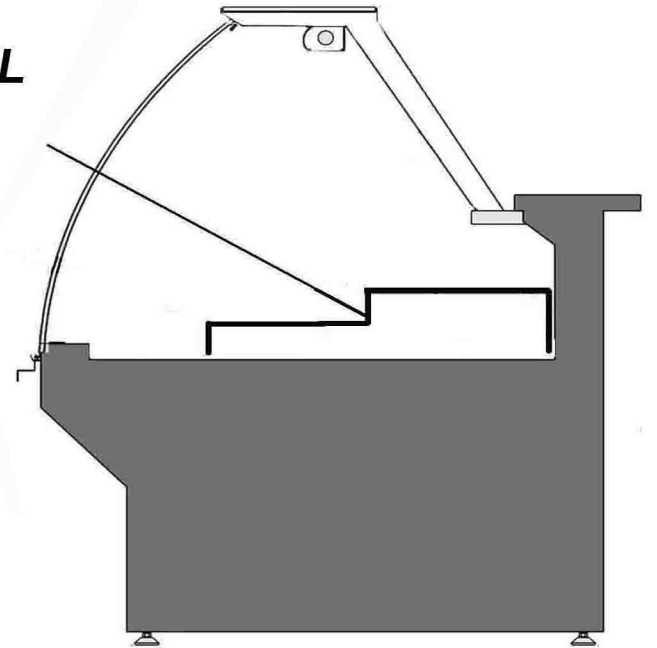


KT012F

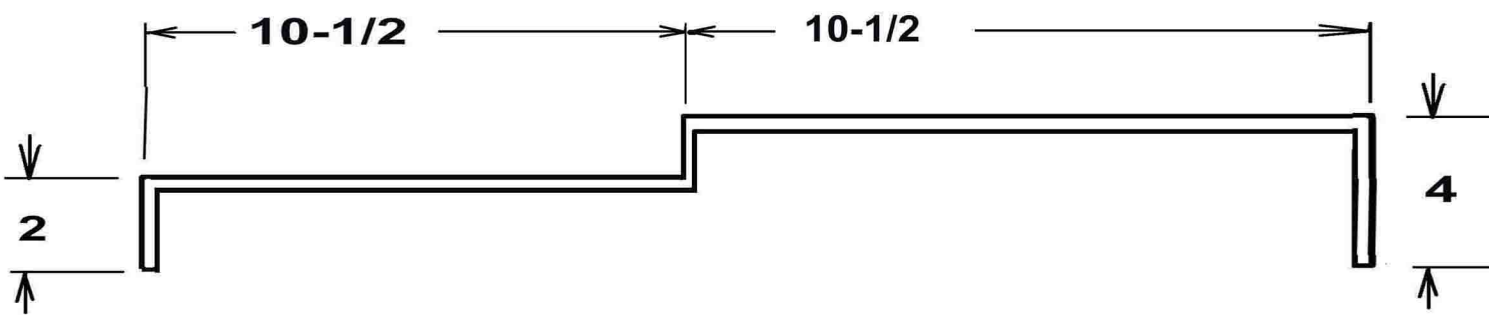
(2) LEVEL STEP SHAM - SIS



(2) LEVEL STEP SHAM



CASES USED ON
KFM/KPM - 60



NUMBER	DESCRIPTION	QTY
1	18-7/8" x 20-7/8" (2) LEVEL STEP SHAM	1
2	18-7/8" x 20-7/8" (2) LEVEL STEP SHAM	1
3	18-7/8" x 20-7/8" (2) LEVEL STEP SHAM	1