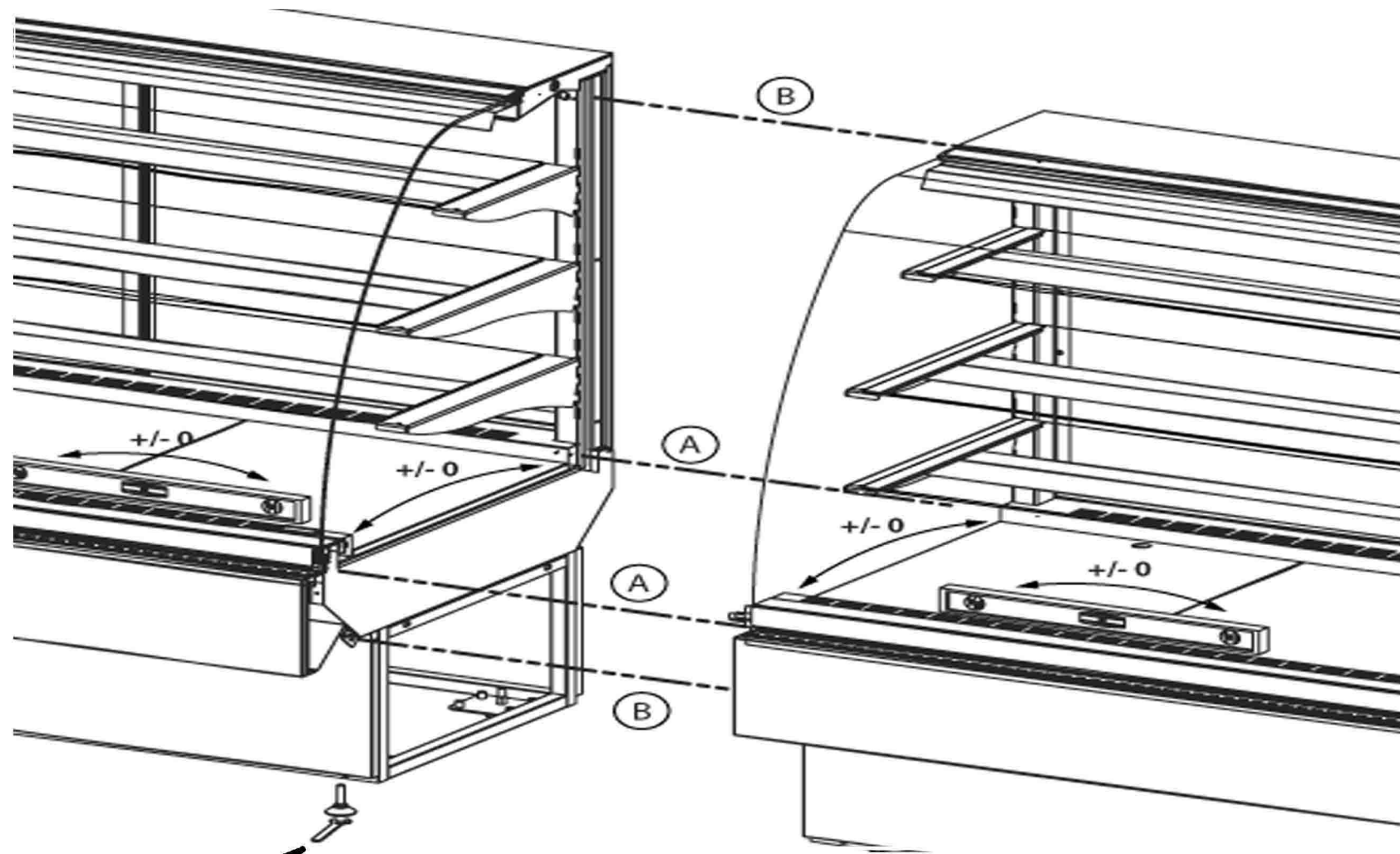
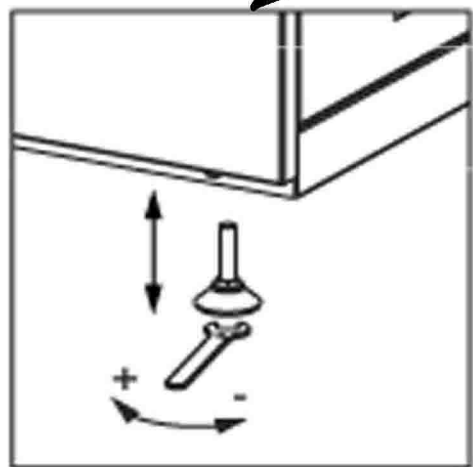


KT003C

CASE TO CASE JOINING KIT



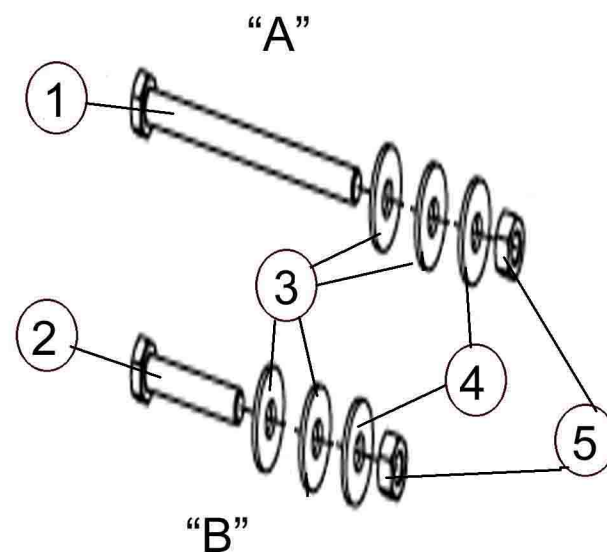
CASES USED ON



ADJUSTABLE FEET

TURN ADJUSTABLE FEET UNTIL BOTH CASES ARE ALIGNED

CONNECT CASES
IF THE CASES ARE FROM INVENTORY REMOVE THE ENDS FIRST OTHERWISE USING THE HARDWARE PROVIDED ATTACH THE CASES TOGETHER THROUGH THE EXISTING HOLES IN THE CASES AS SHOWN ABOVE



ALL "KDB" MODELS

NUMBER	DESCRIPTION	QTY
1	LONG BOLT	2
2	SHORT BOLT	2
3	FLAT WASHER	8
4	LOCK WASHER	4
5	NUT	4