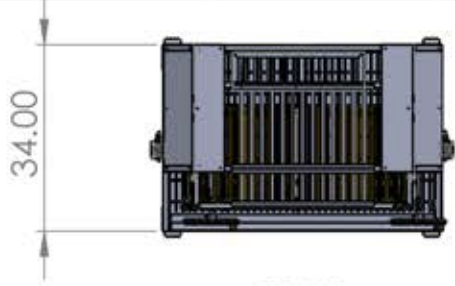


2

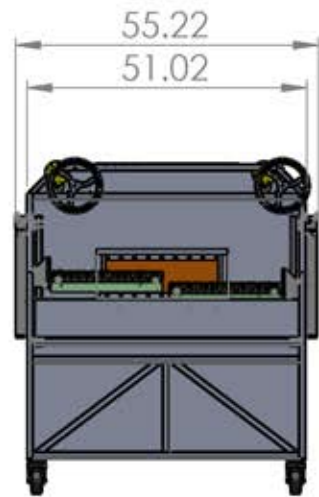
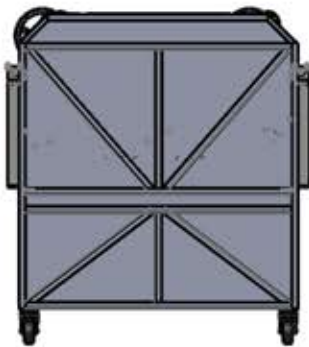
1

| REVISIONS |      |             |          |          |
|-----------|------|-------------|----------|----------|
| ZONE      | REV. | DESCRIPTION | DATE     | APPROVED |
|           | A    | RFP         | 1/9/2019 | RWG      |

B



B



The information contained in this drawing is the sole property of Grillworks LLC.

Any reproduction or distribution in part or as a whole without express written consent is prohibited.



**LANGELIER ELITE 42  
MODEL # GWI42  
X LIFT SYSTEM**

Unless otherwise specified, all dimensions are in inches.

For more information call 855-434-3473

GrillworksUSA.com

**GRILLWORKS®**