



COMMERCIAL

## Refrigeration Equipment Mega Top Table, 48" with 4 drawers and 18GN1/6 containers - Stainless Steel (R290)

ITEM # \_\_\_\_\_

MODEL # \_\_\_\_\_

NAME # \_\_\_\_\_

SIS # \_\_\_\_\_

AIA # \_\_\_\_\_

Kelvinator  
COMMERCIAL



738287 (KCHMT48.18.2D)

4-drawer mega top preparation table, 48", R290 refrigerant gas, +33/+41°F, stainless steel

### Short Form Specification

**Item No.** \_\_\_\_\_

4-drawer mega top refrigerated preparation table. Exterior back panel in aluminum, exterior bottom panel in galvanized steel, exterior side and top panel in 430 stainless steel; interior back, top and interior bottom panels in 304 stainless steel, worktop in 430 stainless steel.

Built-in refrigeration unit and an insulated lid to maintain food freshness. Fin & Tube Condenser improves performance in high-temperature environments. Automatic Defrost Cooling System to provide worry-free performances.

Full-depth cutting board 71x9x0,5 in.

Control panel, Vinyl-Coated Steel adjustable shelves, removable door gaskets and self-closing doors with 90-degree stay-open feature.

Temperature range: +33/+41°F.

R290 gas in the refrigeration circuit.

ETL Safety and Sanitation certifications.

3/5 Years warranty.

### Main Features

- Removable door gasket for easy cleaning operations.
- Hydrocarbon refrigerant gas R290 for the lowest environmental impact (GWP=3) - CFC and HCFC free.
- Fin & Tube Condenser improves performance in high temperature environments.
- Automatic Defrost Cooling System provides worry-free performance.
- Electronic Temperature Control, quick and simple to set, with control display for easy monitoring.
- Full Depth cutting board.
- External temperature display.
- High efficiency components to minimize the energy consumption still guaranteeing the highest performances.
- Cabinet and door insulated with high density polyurethane for low environmental impact.
- Heavy duty Vinyl coated steel shelves.
- CFC and HCFC free, highly ecological refrigerant type: R290 (ecological gas in foam: cyclopentane). Hydrocarbon refrigerant gas R290 for the lowest environmental impact (GWP=3), to reduce green house and ozone depletion effects.

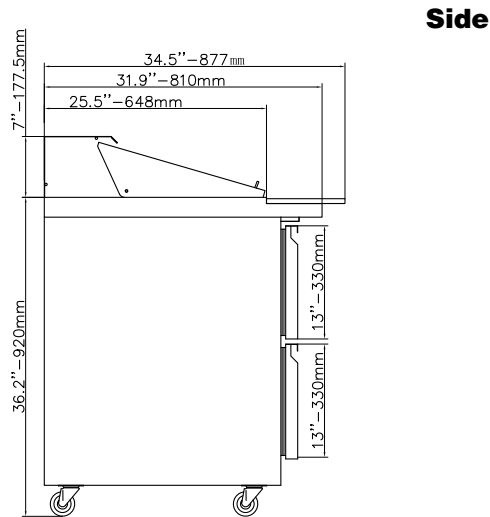
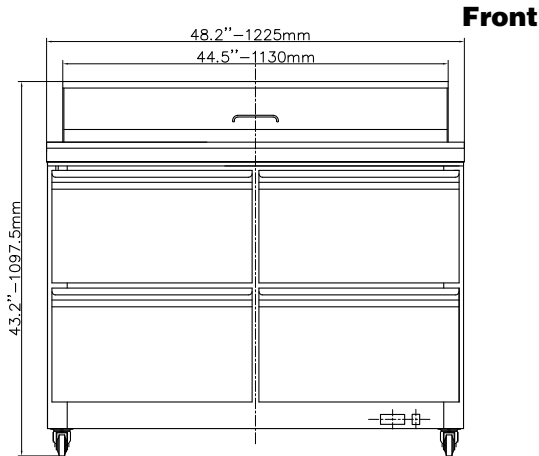
### Construction

- Self-closing door with 90-degree stay-open feature.
- Heavy duty casters.
- Insulated lid maintains food freshness.
- Pre-wired heavy duty power cord.
- Heavy duty door hinges.
- Magnetic door gasket removable without tools for easy cleaning.

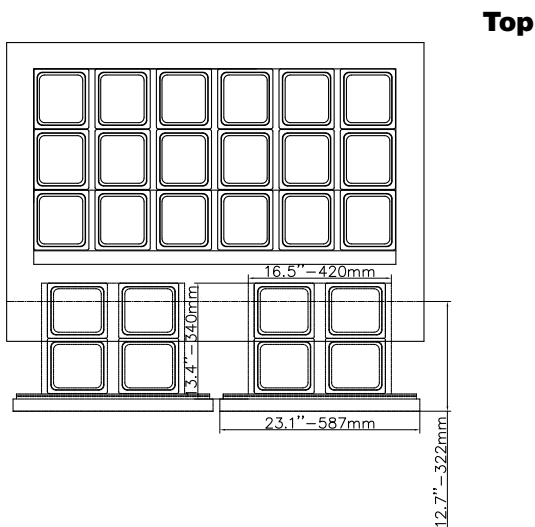
### Optional Accessories

- shelf for 48" and 72" (left/right) mega top, salad and undercounter  PNC 880597
- shelf clips  PNC 880611
- pan divider for mega top  PNC 880612

APPROVAL: \_\_\_\_\_



**EI** = Electrical connection  
**RI** = Refrigerant Inlet  
**RO** = Refrigerant Outlet



### Electric

**Supply voltage:** 738287 (KCHMT48.18.2D) 115 V/1 ph/60 Hz  
**Electrical power, max:** 0.7 kW  
**Current consumption:** 7 Amps  
**Plug type:** USA NEMA 5-15P

### Capacity:

**Gross capacity:** 12 cu. feet

### Key Information:

**External dimensions, Width:** 48 1/4" (1225 mm)  
**External dimensions, Depth:** 34 1/2" (877 mm)  
**External dimensions, Height:** 43 1/4" (1097.5 mm)  
**Number and type of doors:**  
**Internal Dimensions (depth):** 23 13/16"  
**Internal Dimensions (height):** 23 1/2"  
**Internal Dimensions (width):** 42 13/16"  
**Shipping height:** 47 1/4" (1200 mm)  
**Shipping weight:** 320 lbs (145 kg)  
**Number and type of grids (included):** 1 - Vinyl-Coated Steel  
**Type of external material:** Stainless Steel  
**Type of internal material:** Polystyrene  
**Warranty:** 3 / 5 years

### Refrigeration Data

**Compressor power:**  
**Refrigerant type:** R290  
**Refrigerant weight:** 90 g  
**Operating temperature min.:** 32 °F  
**Operating temperature max.:** 41 °F  
**Condenser type:** Fin & tube  
**Defrost type:** Auto Defrost

