

Deluxe Food Warmer | DFW



DFW-150



DFW-250



DFWT-250



DFWF-250

With just plain tap water, the Deluxe Food Warmer by Antunes can be used to prepare a variety of different menu items, including pastas, breads, meats, seafood, poultry, eggs, vegetables and more.

The Deluxe Food Warmer converts plain tap water into super-heated dry steam that fully penetrates foods from all sides to keep the original textures, colors, flavors, and nutrients. The end result: food that looks fresher and tastes better.

The Deluxe Food Warmer creates steam with the simple push of a button. Because the amount of steam is consistent, it removes the guesswork and produces a uniform finish from one operator to the next.

In addition to the instant warming button, this model of Deluxe Food Warmer features a digital controller that allows operators to program a 0-99 minute timed cycle for more complex menu items.

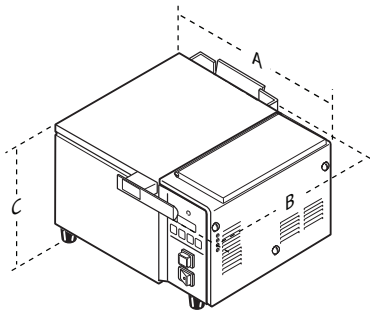
NOTE: Units with a direct water hookup require a water pressure regulator. The psi should be between 20 and 30.

FEATURES

- Open compartment delivers steam from all sides.
- Available with half, two-thirds, or full size pan capacity.
- Instantly turns plain tap water into super-heated dry steam.
- 0-99 minute timed steam cooking with instant warming button.
- Fully adjustable pulse of steam.
- Prepare a variety of different menu items with a consistent finish each and every time.
- Stainless steel construction.
- Available with a self-contained water reservoir or direct water hookup.
- Hi-limit reset button.

Deluxe Food Warmer | DFW

Dimensions



Model No.	Width (A)	Depth (B)	Height (C)
DFW-150	16 5/8" (422 mm)	17 1/4" (438 mm)	8 3/4" (222 mm)
DFWT-150	20" (508 mm)	17 1/4" (438 mm)	8 3/4" (222 mm)
DFW-250	16 5/8" (422 mm)	17 1/4" (438 mm)	8 1/4" (210 mm)
DFWT-250	20" (508 mm)	17 1/4" (438 mm)	8 3/4" (222 mm)
DFWF-250	26 7/8" (683 mm)	17 1/4" (438 mm)	9 3/8" (238 mm)

Shipping Dimensions

Model No.	Height	Width	Depth	Weight
DFW-150	12" (305 mm)	21" (533 mm)	21" (533 mm)	42 lbs. (19 kg)
DFWT-150	12" (305 mm)	21" (533 mm)	21" (533 mm)	50 lbs. (23 kg)
DFW-250	12" (305 mm)	21" (533 mm)	21" (533 mm)	45 lbs. (20 kg)
DFWT-250	12" (305 mm)	21" (533 mm)	21" (533 mm)	75 lbs. (34 kg)
DFWF-250	14" (356 mm)	21" (533 mm)	33" (838 mm)	75 lbs. (34 kg)

Electrical Ratings and Plug Configuration

Model & Mfg. No.	Volts	Watts	Amps	Hertz	Plug Description
Half Size Pan and Self-Contained Water Tank					
DFW-150 9100104	120	1800	15	50/60	NEMA 5-15P 15 Amp., 120 Volt
DFW-150 9100106	230	2800	12.2	50/60	CEE 7/7 16 Amp., 250 Volt
DFW-150 9100110	230	2800	12.2	50/60	BS 1363 Fused 13 Amp., 250 Volt
Half Size Pan With Direct Water Hookup					
DFW-250 9100114	120	1800	15	50/60	NEMA 5-15P 15 Amp., 120 Volt
DFW-250 9100116	230	2800	12.2	50/60	CEE 7/7 16 Amp., 250 Volt
DFW-250 9100117	230	2800	12.2	50/60	BS 1363 Fused 13 Amp., 250 Volt
Two-Thirds Size Pan and Self-Contained Water Tank					
DFWT-150 9100124	120	1800	15	50/60	NEMA 5-15P 15 Amp., 120 Volt
DFWT-150 9100126	230	2800	12.2	50/60	CEE 7/7 16 Amp., 250 Volt
DFWT-150 9100127	230	2800	12.2	50/60	BS 1363 Fused 13 Amp., 250 Volt
Two-Thirds Size Pan With Direct Water Hookup					
DFWT-250 9100134	120	1800	15	50/60	NEMA 5-15P 15 Amp., 120 Volt
DFWT-250 9100136	230	2800	12.2	50/60	CEE 7/7 16 Amp., 250 Volt
DFWT-250 9100137	230	2800	12.2	50/60	BS 1363 Fused 13 Amp., 250 Volt
Full Size Pan With Direct Water Hookup					
DFWF-250 9100146	208	3300	15.9	50/60	NEMA 6-20P 20 Amp., 250 Volt
DFWF-250 9100156	230	3300	14.3	50/60	CEE 7/7 16 Amp., 250 Volt
DFWF-250 9100157	230	3300	14.3	50/60	IEC-309 16 Amp., 230 Volt Pin & Sleeve

P/N 1020236 03/17