




eurodib

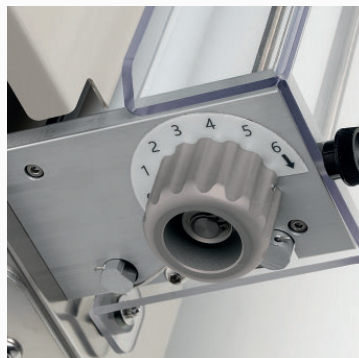
MADE IN ITALY

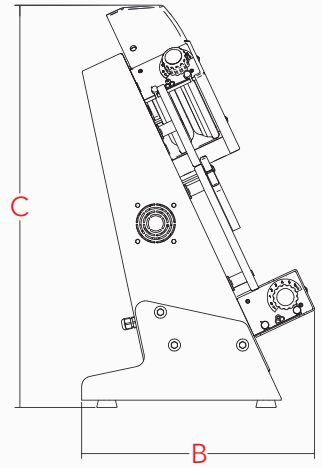
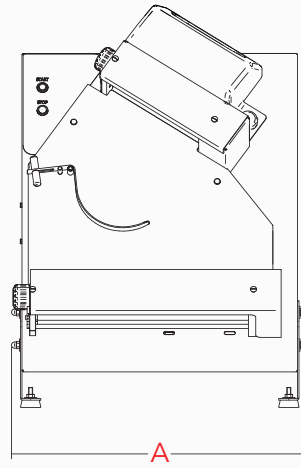
P-ROLL DOUGH SHEETERS

Eurodib P-Roll Dough Sheeters are perfect for rolling various types of pizza and bread dough. Designed for rolling cold, the dough's essential properties are maintained throughout. Both thickness and diameter are adjustable for ease-of-use.

STANDARD FEATURES			
	P-ROLL 320/1 +	P-ROLL 320/2 +	P-ROLL 420/2 RP +
	Single Roller	Top and Bottom Rollers	Top and Bottom Parallel Rollers
	AISI 304 Stainless Steel body construction	Detachable ceramic slide surface for quick and easy cleanup	Detachable ceramic slide surface for quick and easy cleanup
	Robust Aluminum knobs to adjust between 6 thickness settings	AISI 304 Stainless Steel body construction	AISI 304 Stainless Steel body construction
	Heavy-Duty metal gear transmission	Robust Aluminum knobs to adjust between 6 thickness settings	Robust Aluminum knobs to adjust between 6 thickness settings
	Detachable roller scraper for easy cleaning	Heavy-Duty metal gear transmission	Heavy-Duty metal gear transmission
	Plexi roller protectors, released by micro switch	Detachable upper & lower roller scrapers for easy cleaning	Detachable upper & lower roller scrapers for easy cleaning
	Stainless steel IP67 controls	Plexi roller protectors, released by micro switch	Plexi roller protectors, released by micro switch
	Stainless steel IP67 controls	Stainless steel IP67 controls	

CLOSER LOOK





	P-ROLL 320/1 +	P-ROLL 320/2 +	P-ROLL 420/2 RP +
POWER	120V, 220W, 4.5A	120V, 220W, 4.5A	120V, 220W, 4.5A
MOTOR	0.33HP	0.33HP	0.33HP
NEMA	5-15P	5-15P	5-15P
ROLLER LENGTH	320mm / 12.6"	Top: 220mm / 8.7" Bottom: 320mm / 12.6"	Top: 320mm / 12.6" Bottom: 420mm / 16.5"
DIMENSIONS (L X W X H)	18" x 18.5" x 15.25"	18" x 18.5" x 28"	18" x 22.5" x 27"
NET WEIGHT	64lbs	89lbs	107lbs
SHIP DIMENSIONS (L X W X H)	29.5" x 15.75" x 20"	29.5" x 23" x 39.5"	29.5" x 23" x 39.5"
SHIP WEIGHT	70.5lbs	116lbs	133lbs

OPTIONAL:
FOOT PEDAL KIT
(SOLD SEPARATELY)



eurodib

MADE IN ITALY



Intertek

ONE YEAR WARRANTY ON PARTS AND LABOR.

V1.11.2020

eurodib

US 334 Cornelia St., Suite #272, Plattsburgh, NY 12901 | CAN 120 rue de la Barre, Boucherville, QC, J4B 2X7
1 888 956 6866 | info@eurodib.com | www.eurodib.com