

# UNDERCOUNTER REFRIGERATOR

## Model: SW32NGD-U

Natural Refrigerant R-290 Model

### 32" Undercounter Display Refrigerator with Hinged Glass Door

Stainless steel front, top and end panels, aluminum back and interior.



## Options and Accessories

(upcharge and lead times may apply)

|                                       |   |
|---------------------------------------|---|
| Stainless steel interior              | Stainless steel shelves                           |
| Stainless steel back                  | Door lock   |
| Additional epoxy coated steel shelves | Special electrical requirements (consult factory) |
| Solid door (consult factory)          |   |

Consult factory for other model configurations, options and accessories.

Project Name:

Model Specified:

Location:

Item No:

Quantity:

AIA #:

SIS #:

## Standard Model Features

### REFRIGERATION SYSTEM

Performance rated refrigeration system

Natural, environmentally safe, high efficiency R-290 refrigerant<sup>1</sup>

Automatic, hot gas condensate evaporator

Non-corrosive, plasticized fin evaporator coil

Easily serviceable, back mounted compressor

### CABINET ARCHITECTURE

2" non-CFC polyurethane foam insulation

Double pane, low emissivity, tempered hinged glass door

Magnetic snap in door gasket

Heavy duty, epoxy coated steel shelf

Completely enclosed, vented and removable case back

1 3/8" diameter plate casters (factory installed)

### MODEL FEATURES

LED interior lighting

Electronic controller with digital display & hi/low alarm

Off-cycle defrost

2" high, bottom mounted front breather air divider

<sup>1</sup> R-290 refrigerant meets all federal and state regulatory requirements.

**Continental**  
Refrigerator

Toll-Free: 800-523-7138  
Phone: 215-244-1400  
Fax: 215-244-9579

539 Dunksferry Road  
Bensalem, PA 19020  
[www.continentalrefrigerator.com](http://www.continentalrefrigerator.com)

APPROVAL:

# Model Specifications

## DIMENSIONAL DATA

|   |   |
|---|---|
| Net Capacity (cubic feet)   | 9.0 (253 cu l)                            |
| Width, Overall (inches)   | 32 (813 mm)                               |
| Depth, Overall (inches)<br>(including handle & bumpers)                               | 31 <sup>7</sup> / <sub>16</sub> (799 mm)  |
| Height, Overall (inches)<br>(including 1 <sup>3</sup> / <sub>8</sub> " plate casters) | 31 <sup>13</sup> / <sub>16</sub> (808 mm) |
| Shelf Area (square feet)  | 3.9 (0.4 sq m)                            |
| Number of Shelves   | 1   |
| Number of Doors   | 1   |
| Interior Depth (inches)   | See Drawing                               |
| Interior Height (inches)  | 26 <sup>1</sup> / <sub>4</sub> (667 mm)   |
| Interior Width (inches)   | 28 (711 mm)                               |

## REFRIGERANT DATA

|                             |                             |
|-----------------------------|-----------------------------|
| Condensing Unit Size (H.P.) | <sup>1</sup> / <sub>5</sub> |
| Capacity (BTU per hour)*    | 1625                        |

## ELECTRICAL DATA

|  |                     |
|--|---------------------|
| Voltage (International)                        | 115/60/1 (220/50/1) |
| Total Amps (International)                     | 2.5 (2.2)           |
| 10 ft. Cord/Plug [attached]<br>(International) | Yes<br>(No)         |

## SHIPPING DATA

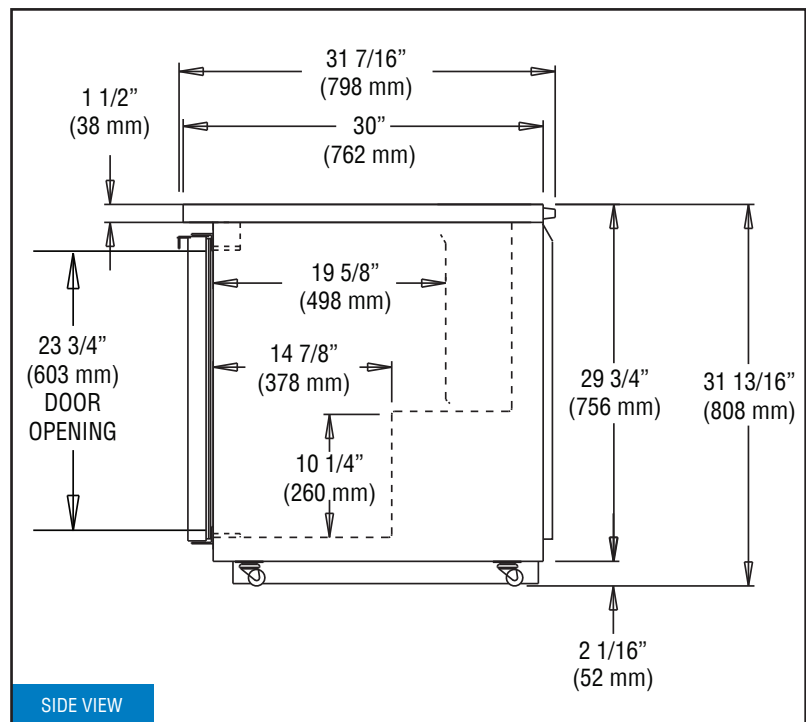
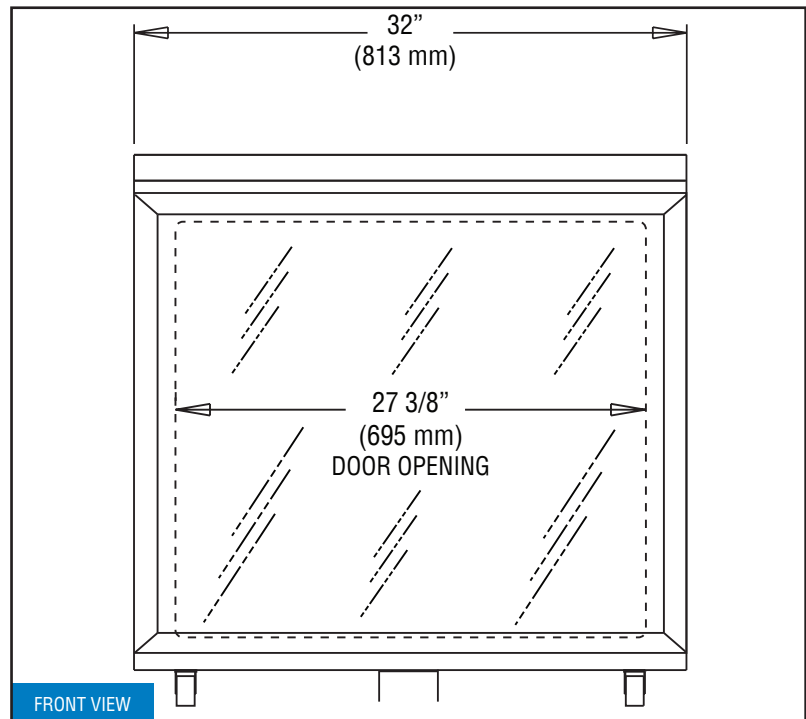
|                          |  |
|--------------------------|--|
| Weight (pounds)          | 235 (107 kg)                             |
| Height - Crated (inches) | 43 <sup>1</sup> / <sub>4</sub> (1099 mm) |
| Width - Crated (inches)  | 40 (1016 mm)                             |
| Depth - Crated (inches)  | 37 <sup>1</sup> / <sub>4</sub> (946 mm)  |

\* Rating @ +25°F evaporator, 90°F ambient  
 Figures in parentheses reflect metric equivalents rounded to the nearest whole unit.



Equipped with one NEMA-5-15P Plug  
 (varies by country)

# Model Plan Views



**NOTE:** For proper operation, the area under and in front of the cabinet **must** not be obstructed in any way.



Toll-Free: 800-523-7138  
 Phone: 215-244-1400  
 Fax: 215-244-9579

539 Dunksferry Road  
 Bensalem, PA 19020  
[www.continentalrefrigerator.com](http://www.continentalrefrigerator.com)

Due to our continued efforts in developing innovative products, specifications subject to change without notice.

