

Project: _____	AIA# _____
Item #: _____ Qty: _____	SIS# _____
Model #: _____	

## Dimensional Corner Drainboards

C-IFC-19/19, C-IFC-19/19-N, C-IFC-19/24L, C-IFC-19/24R, C-IFC-19/30L, C-IFC-19/30R, C-IFC-24/24, C-IFC-24/24-N, C-IFC-24/30L, C-IFC-24-30R

### Standard Features

- All stainless steel construction
- Designed to mount between two adjacent pieces of Choice underbar equipment
- Corrugated work surface features 1/4" radius corners for easy cleaning

### Specifications

#### Drain

- 1-1/2" I.P.S. Threaded drain will fit Dearborn part #8033 slipnut and part #W-573P washer.

#### Materials

- 20 gauge stainless steel

### Product Information

Dimensional Full Corner Drainboards are for 90° inside turns only. The dimensions of the corner are specified in the model number. If the dimensions of each side are not the same, the longest dimension is specified second along with its location.

Corner drainboards are designed to mount between two pieces of Choice underbar. However, corner drainboards can be used to mount between any two stable vertical surfaces. Corners should not be mounted to objects that are mobile or on casters.

Because they are intended to mount between two vertical surfaces, corner drainboards do not come with legs. If one side of the corner does not have a vertical surface on which to mount, then a leg set must be ordered as an accessory.

### Accessory

C-ULEG-2 Set of two legs for Choice underbar

To view cleaning and care instructions, please visit:  
[https://www.glastender.com/PDF/F-423-011\\_ss\\_clean\\_care.pdf](https://www.glastender.com/PDF/F-423-011_ss_clean_care.pdf)



C-IFC-19/19-N



C-IFC-19/24L



C-IFC-24/24



Intertek  
4004503

Conforms to ANSI/NSF STD 2

Glastender, Inc. • 5400 North Michigan Road • Saginaw, MI • 48604-9780  
989.752.4275 • 800.748.0423 • Fax 989.752.4444  
www.glastender.com

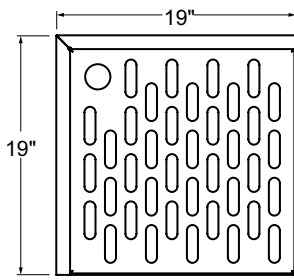
Approval/Notes:

Specifications subject to change without notice. For current specifications please visit our website.

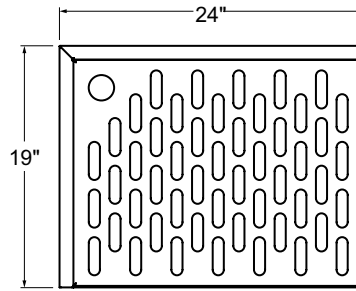
# Choice Dimensional Corner Drainboards

## Dimensional Information

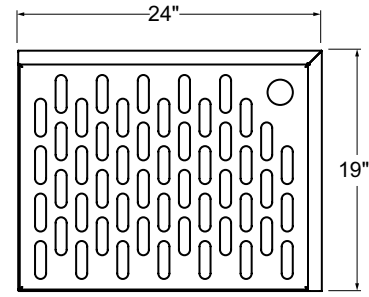
### PLAN VIEWS



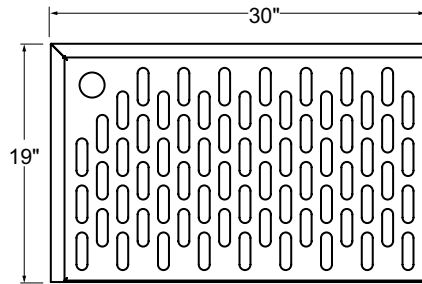
C-IFC-19/19



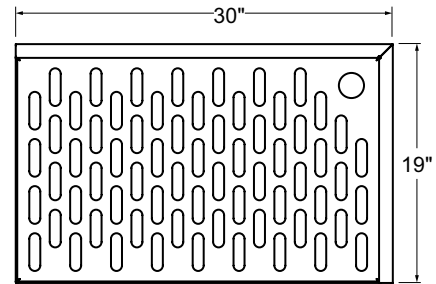
C-IFC-19/24L



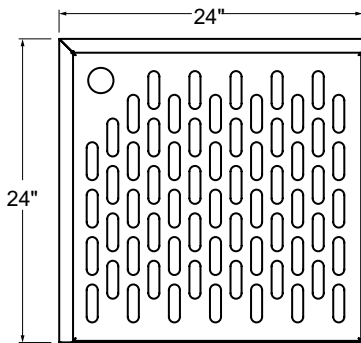
C-IFC-19/24R



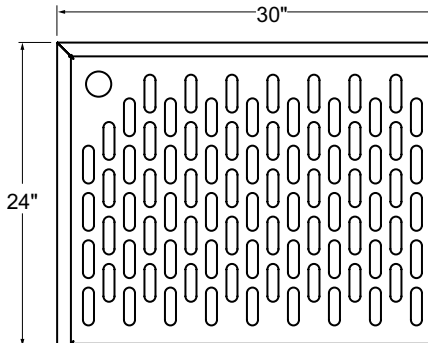
C-IFC-19/30L



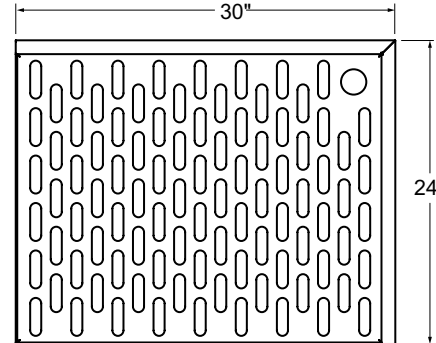
C-IFC-19/30R



C-IFC-24/24



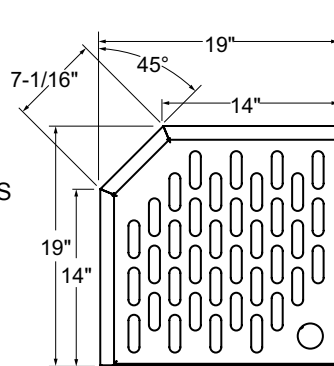
C-IFC-24/30L



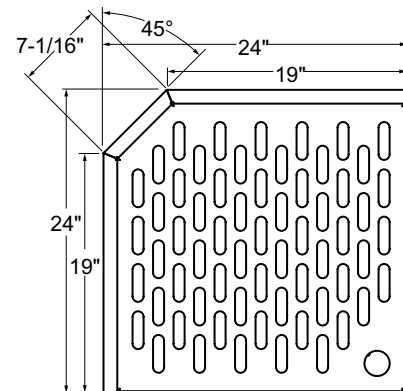
C-IFC-24/30R

### PLAN VIEWS

DIMENSIONAL CORNER DRAINBOARDS WITH CHAMFERED BACK CORNER



C-IFC-19/19-N



C-IFC-24/24-N