



CATALOG OF REPLACEMENT PARTS

GAS CONVECTION OVENS



SG4

ML-126610

SG6

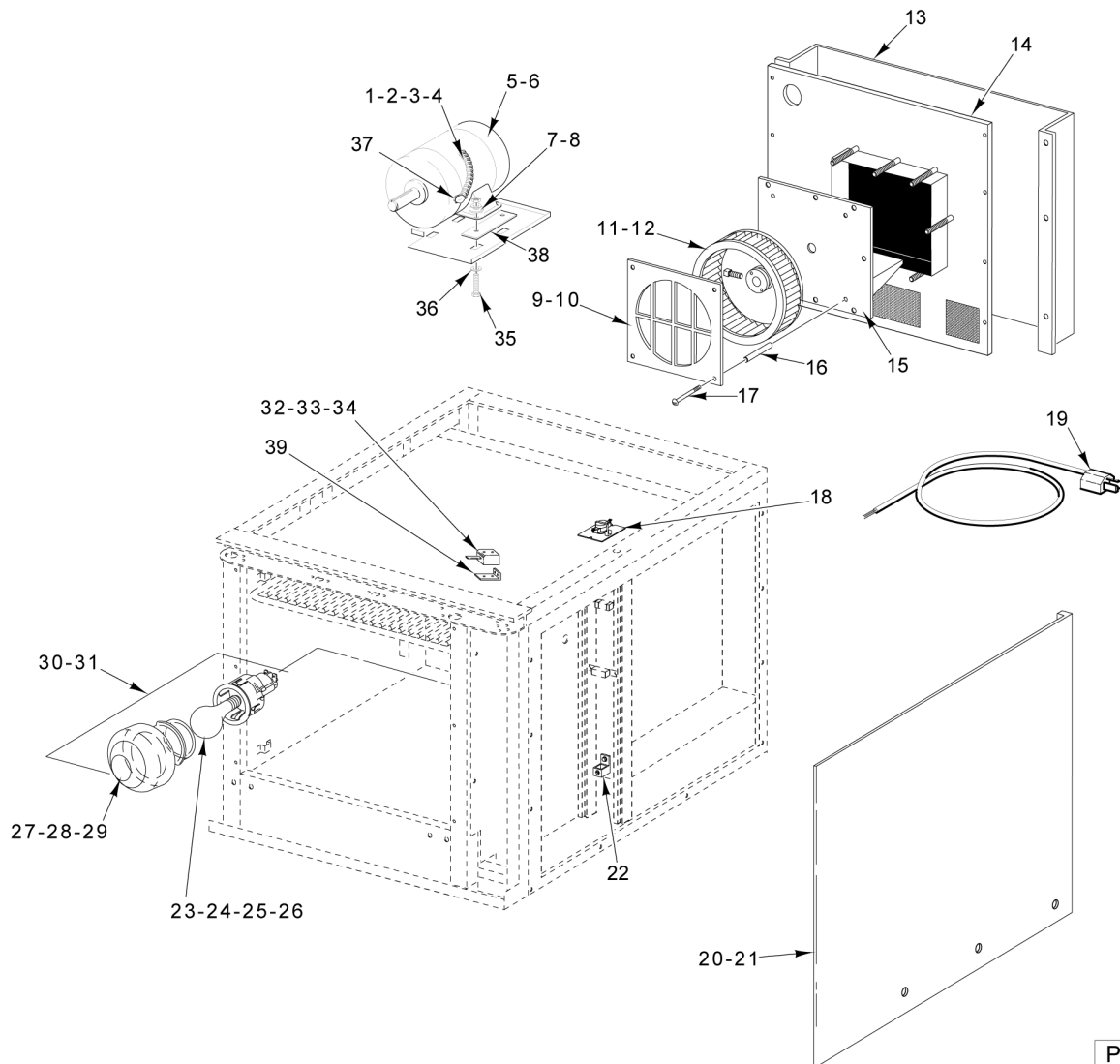
ML-126612

Table of Contents

| | |
|----|--------------------------------------------------------------|
| 5 | OVEN PANELS & MOTOR (PREVIOUS CONSTRUCTION BEFORE 3/18/2019) |
| 7 | OVEN PANELS (CURRENT CONSTRUCTION) |
| 9 | OVEN PANELS AND RACK SUPPORTS (PREVIOUS CONSTRUCTION) |
| 11 | OVEN PANELS AND RACK SUPPORTS (CURRENT CONSTRUCTION) |
| 13 | CONVECTION MOTOR (CURRENT CONSTRUCTION AFTER 3/19/19) |
| 15 | DOOR ASSEMBLY (PREVIOUS CONSTRUCTION) |
| 17 | DOOR ASSEMBLY (CURRENT CONSTRUCTION) |
| 19 | GAS PIPING AND FLAME CHAMBER |
| 21 | ELECTRICAL COMPONENT PANEL |
| 23 | CONTROL PANEL |

| | | | | | |
|----|-----------------|------------------------|----|-----------------|-------------------|
| 40 | 00-427617-00001 | Flue - Deflector | 48 | 00-343634-00002 | Caster |
| 41 | 00-959663-00001 | Tube - Snorkel Assy. | 49 | 00-357047-00001 | Caster - Swivel |
| 42 | 00-402558-00004 | Clip - Bulb | 50 | 00-357047-00002 | Caster - Swivel |
| 43 | 00-424172-00001 | Leg - Set (PTD) | 51 | 00-417063-00001 | Strap |
| 44 | 00-424172-00002 | Leg - Set (SST) | 52 | 00-357093-00001 | Ring - Locking |
| 45 | 00-424174-00001 | Leg - Set | 53 | 00-288946-00002 | Foot |
| 46 | 00-342150-00005 | Leg (For Double Stack) | 54 | SC-113-76 | Screw |
| 47 | 00-343634-00001 | Caster | 55 | 00-425428-00001 | Foot (Adjustable) |

PARTS NOT ILLUSTRATED



PL-61426

**OVEN PANELS & MOTOR
(PREVIOUS CONSTRUCTION BEFORE 3/18/2019)**

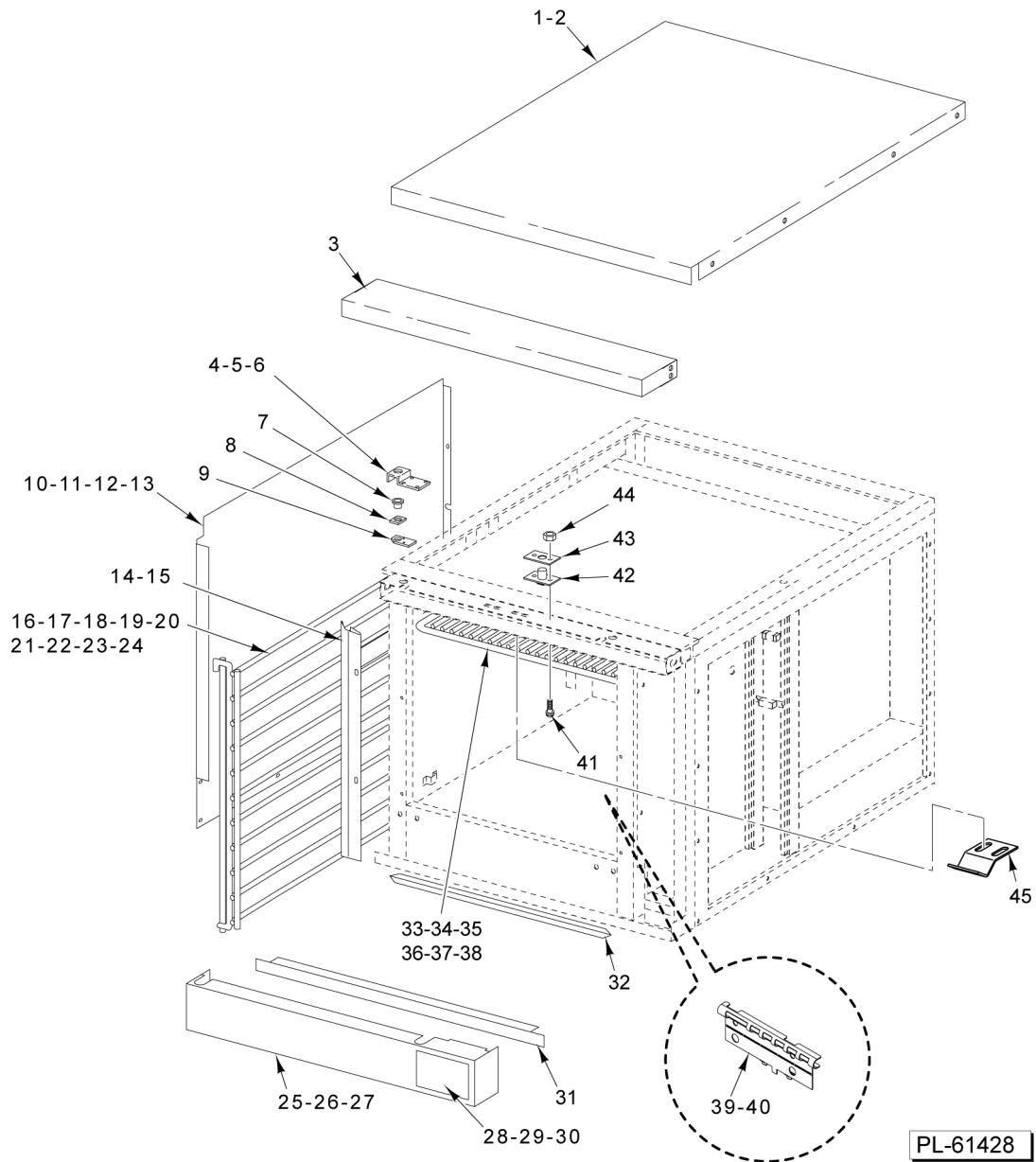
**OVEN PANELS & MOTOR
(PREVIOUS CONSTRUCTION BEFORE 3/18/2019)**

| ILLUS. | PART NO. | NAME OF PART | AMT. |
|----------|-----------------|-------------------------------------------------------------|------|
| PL-61426 | | | |
| 1 | FE-006-05 | Lock Nut 1/2 | 1 |
| 2 | 00-414540-00B35 | Conduit 3/8 x 35 In. Lg..... | 1 |
| 3 | 00-342285-00001 | Bushing - Plastic..... | 2 |
| 4 | FE-002-03 | Connector - Conduit 3/8 TS Straight..... | 1 |
| 5 | 00-358516-00001 | Motor 1/2 Hp. (2-Speed) (115 V., 50/60 Hz., 1 Ph.)..... | 1 |
| 6 | 00-358516-00002 | Motor 1/2 Hp. (2-Speed) (208-240 V., 50/60 Hz., 1 Ph.)..... | 1 |
| 7 | WS-029-46 | Washer..... | 4 |
| 8 | NS-046-86 | Nut Assy. 5/16-18 KEPS Hex..... | 4 |
| 9 | 00-411136-00003 | Cover - Fan (50 Hz.)..... | 1 |
| 10 | 00-411136-00004 | Cover - Fan (60 Hz.)..... | 1 |
| 11 | 00-415780-00003 | Wheel - Blower (60 Hz.)..... | 1 |
| 12 | 00-415780-00005 | Wheel - Blower (50 Hz.)..... | 1 |
| 13 | 00-424840-00002 | Panel - Back (SST) (Optional)..... | 1 |
| 14 | 00-426839-000G1 | Panel Assy. - Back..... | 1 |
| 15 | 00-423289-000G1 | Motor Mount..... | 1 |
| 16 | 00-411289-00004 | Spacer - Fan Housing..... | 4 |
| 17 | SC-120-15 | Mach. Screw 1/4-20 x 4 Rd. Hd..... | 4 |
| 18 | 00-958827-000G3 | Kit - Oven Limit Assy..... | 1 |
| 19 | 00-405016-00001 | Cord - Electric Supply (120 V. Only)..... | 1 |
| 20 | 00-424140-00002 | Panel - Outer (RH) (SST)..... | 1 |
| 21 | 00-424228-00002 | Panel - Outer (RH) (SST)..... | 1 |
| 22 | 00-417856-00001 | Lug - Grounding (With Set Screw)..... | 1 |
| 23 | 01-1000V7-00028 | Bulb..... | 1 |
| 24 | 01-1000V7-00053 | Lamp - Oven (Complete) (Lens, Base, & Bulb)..... | 1 |
| 25 | 00-342766-00002 | Light Bulb - Oven (40 Watts) (240 V.)..... | 1 |
| 26 | 00-913102-00032 | Kit - Lamp & Housing (250 V.)..... | 1 |
| 27 | 00-423832-00001 | Cover - Lamp Electrical..... | 2 |
| 28 | 01-1000V7-00054 | Bulb - Halogen G9 Base..... | 1 |
| 29 | 00-357036-00003 | Lens - Lamp..... | 1 |
| 30 | 00-357036-00001 | Oven Lamp (40 Watts) (120-130 V.)..... | 2 |
| 31 | 00-913102-00032 | Kit - Lamp & Housing (250 V.)..... | 2 |
| 32 | 00-411496-000F1 | Switch - Micro..... | 1 |
| 33 | 00-499310-000G1 | Micro Switch Kit..... | 1 |
| 34 | SD-034-47 | Self-Tapping Screw 6-32 x 1 Hex Washer Hd., Type T..... | 2 |
| 35 | SC-113-65 | Cap Screw 5/16-18 x 1-1/4 Hex Hd..... | 4 |
| 36 | WS-029-46 | Washer..... | 4 |
| 37 | FE-002-52 | Connector - Conduit 3/8 TS 90 Degree..... | 1 |
| 38 | 00-358723-00001 | Spacer - Steel..... | 2 |
| 39 | 00-425324-00001 | Bracket - Door Switch..... | 1 |
| 40 | 00-427617-00001 | Flue - Deflector..... | 1 |
| 41 | 00-959663-00001 | Tube - Snorkel..... | 1 |
| 42 | 00-402558-00004 | Clip - Tubing..... | 2 |
| *43 | 00-424172-00001 | Leg - Set (25-3/4 In.) (PTD)..... | 1 |
| *44 | 00-424172-00002 | Leg - Set (25-3/4 In.) (SST)..... | 1 |
| 45 | 00-424174-00001 | Leg - Set..... | 4 |
| 46 | 00-342150-00005 | Leg (8 In.)..... | 4 |
| 47 | 00-343634-00001 | Caster (Swivel With Brake) (7.5 In.)..... | 2 |
| 48 | 00-343634-00002 | Caster (Rigid) (7.5 In.)..... | 2 |
| 49 | 00-357047-00001 | Caster - Swivel (Without Brake)..... | 2 |
| 50 | 00-357047-00002 | Caster - Swivel (With Brake)..... | 2 |
| 51 | 00-417063-00001 | Strap - Tie Down..... | 4 |
| 52 | 00-357093-00001 | Ring - Locking..... | 4 |
| 53 | 00-288946-00002 | Foot - Adjustable (1-5/8) (SST)..... | 4 |
| 54 | SC-113-76 | Cap Screw 1/4-20 x 1 Hex Hd..... | AR |
| 55 | 00-425428-00001 | Foot - Adjustable..... | 4 |

* No Longer Available

**OVEN PANELS
(CURRENT CONSTRUCTION)**

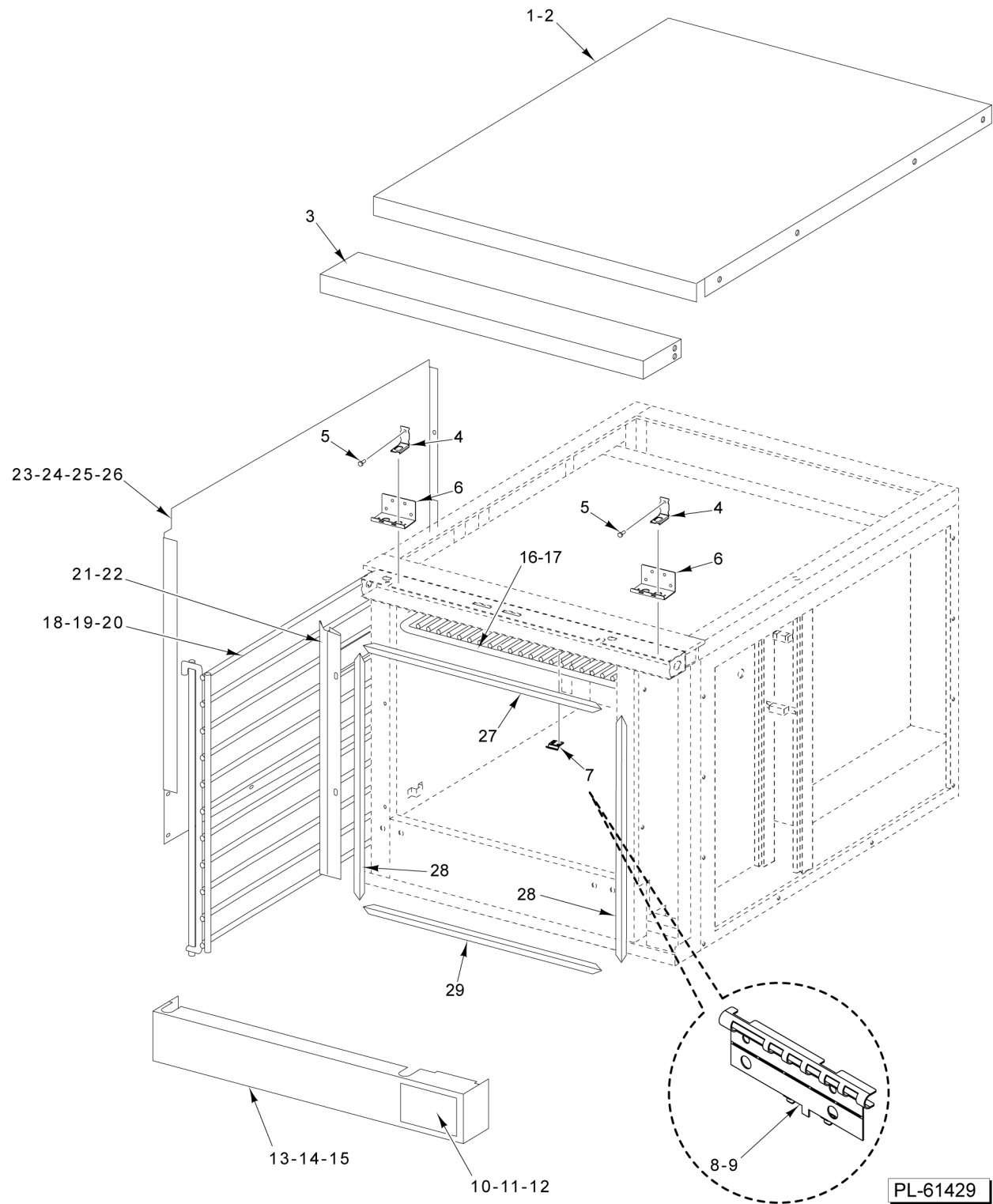
| ILLUS. PL-61427 | PART NO. | NAME OF PART | AMT. |
|--------------------|-----------------|----------------------------------------------------------|------|
| 1 | 00-424840-00002 | Panel - Back (SST) (Optional)..... | 1 |
| 2 | 00-958827-000G3 | Kit - Oven Limit Assy..... | 1 |
| 3 | 00-417856-00001 | Lug - Grounding (With Set Screw)..... | 1 |
| 4 | 00-424140-00002 | Panel - Outer (RH) (SST) (VC4G)..... | 1 |
| 5 | 00-424228-00002 | Panel - Outer (RH) (SST) (VC6G)..... | 1 |
| 6 | 00-960194-00001 | Oven Lamp (40W) (120 V.)..... | 2 |
| 7 | 00-961766-00001 | Oven Lamp (40W) (240 V.)..... | 2 |
| 8 | 00-961291-00001 | Bulb - Halogen (120 V.)..... | AR |
| 9 | 00-961291-00002 | Bulb - Halogen (230V) (240 V.)..... | AR |
| 10 | 00-425324-00001 | Bracket - Door Switch..... | 1 |
| 11 | 00-411496-000F1 | Switch - Micro (Door)..... | 1 |
| 12 | 00-499310-000G1 | Micro Switch Kit (Incls. Items 10, 11,& 13)..... | 1 |
| 13 | SD-034-47 | Self-Tapping Screw 6-32 x 1 Hex Washer Hd., Type T..... | 2 |
| 14 | 00-427617-00001 | Flue - Deflector..... | 1 |
| 15 | 00-959663-00001 | Tube - Snorkel..... | 1 |
| 16 | 00-402558-00004 | Clip - Tubing..... | 2 |
| 17 | 00-424172-00001 | Leg - Set (25-3/4 In.) (PTD)..... | 1 |
| 18 | 00-424172-00002 | Leg - Set (25-3/4 In.) (SST)..... | 1 |
| 19 | 00-424157-000G7 | Leg Assembly for Caster and Foot (Painted Black)..... | 4 |
| 20 | 00-342150-00005 | Leg (8 In.) (Double Stack)..... | 4 |
| 21 | 00-343634-00001 | Caster (Swivel With Brake) (7.5 In.) (Double Stack)..... | 2 |
| 22 | 00-343634-00002 | Caster (Rigid) (7.5 In.) (Double Stack)..... | 2 |
| 23 | 00-357047-00001 | Caster - Swivel (Without Brake)..... | 2 |
| 24 | 00-357047-00002 | Caster - Swivel (With Brake)..... | 2 |
| 25 | 00-417063-00001 | Strap - Tie Down..... | 4 |
| 26 | 00-357093-00001 | Ring - Locking (Use with Item 19)..... | 4 |
| 27 | 00-288946-00002 | Foot - Adjustable (1-5/8) (SST) (Use with Item 19)..... | 4 |
| 28 | SC-113-76 | Cap Screw 1/4-20 x 1 Hex Hd (Use with legs)..... | AR |
| 29 | 00-425428-00001 | Foot - Adjustable (Use with Item 20)..... | 4 |
| 30 | 00-427617-00001 | Flue - Deflector..... | 1 |
| 31 | 00-959663-00001 | Tube - Snorkel..... | 1 |
| 32 | 00-958827-000G1 | Thermostat (High Limit) (With Mounting Plate)..... | 1 |
| 33 | 00-499302-00001 | Side - Left Body..... | 1 |
| 34 | 00-499303-00001 | Side - Left Body..... | 1 |



**OVEN PANELS AND RACK SUPPORTS
(PREVIOUS CONSTRUCTION)**

**OVEN PANELS AND RACK SUPPORTS
(PREVIOUS CONSTRUCTION)**

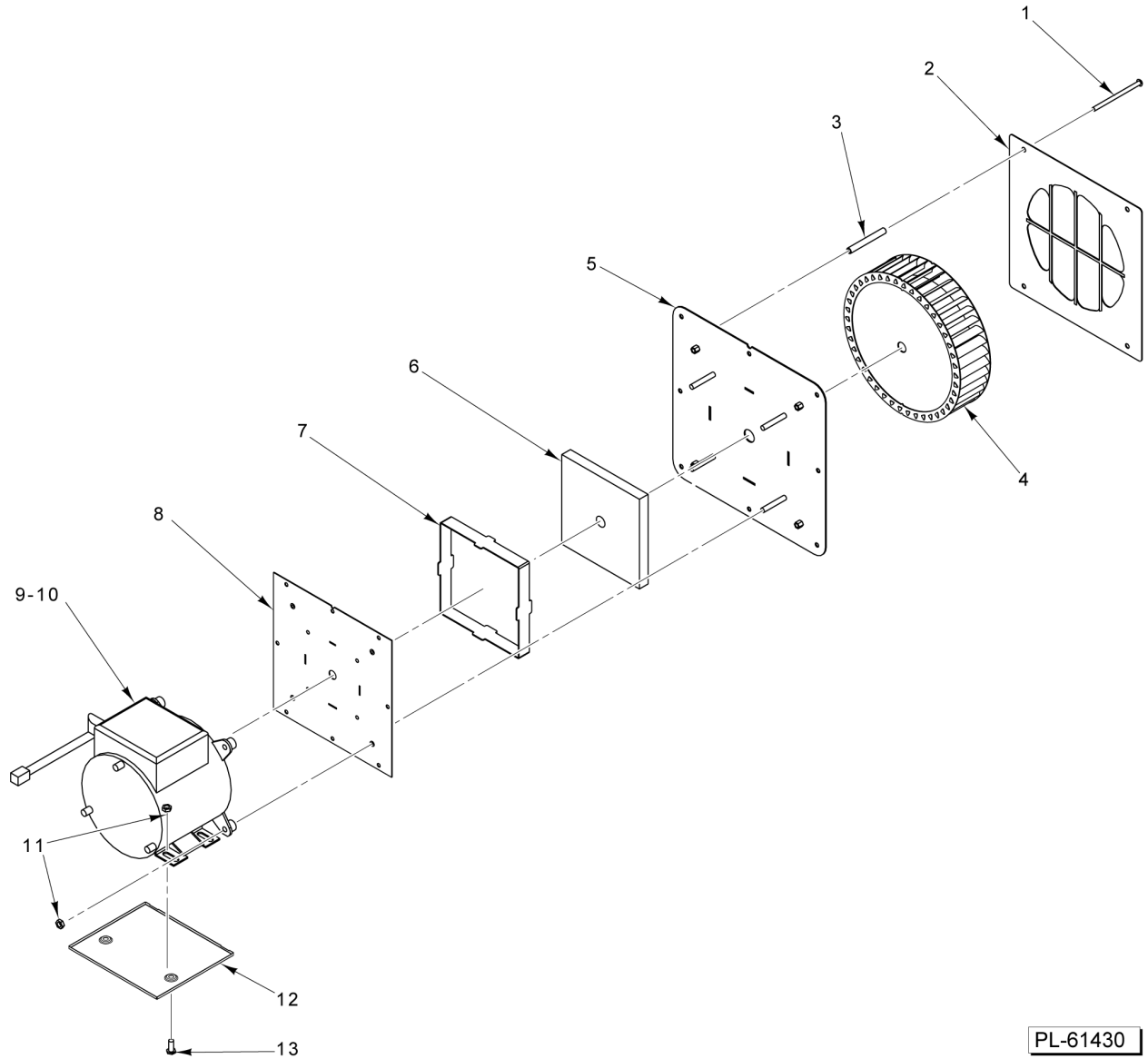
| ILLUS. PL-61428 | PART NO. | NAME OF PART | AMT. |
|--------------------|-----------------|--------------------------------------------------------------|------|
| 1 | 00-424141-00002 | Top (SST)..... | 1 |
| 2 | 00-424229-00002 | Top (SST)..... | 1 |
| 3 | 00-421799-00001 | Top - Front..... | 1 |
| 4 | 00-353484-00001 | Plate - Retainer..... | 2 |
| 5 | SC-053-41 | Mach. Screw 1/4-20 x 1/2 Slotted Truss Hd. (SST)..... | 4 |
| 6 | NS-038-08 | Lock Nut 1/4-20 x 1 Hex..... | 4 |
| 7 | 00-347080-00002 | Bearing - Door Shaft..... | 2 |
| 8 | 00-353482-00001 | Spacer..... | 2 |
| 9 | 00-353483-00001 | Plate - Upper Door Bearing..... | 2 |
| 10 | 00-424142-00002 | Panel - Outer (SST) (LH)..... | 1 |
| 11 | 00-424230-00002 | Panel - Outer (SST) (LH)..... | 1 |
| 12 | 00-499302-00001 | Side - Left Body..... | 1 |
| 13 | 00-499303-00001 | Side - Left Body..... | 1 |
| 14 | 00-357919-00001 | Kit - Door Seal..... | 1 |
| 15 | 00-423842-000G1 | Seal - Vertical Door (Set) (LH & RH)..... | 1 |
| 16 | 00-428104-00001 | Guide - Rack (LH)..... | 1 |
| 17 | 00-428104-00002 | Guide - Rack (RH)..... | 1 |
| 18 | 00-428104-00003 | Guide - Rack (LH)..... | 1 |
| 19 | 00-428104-00004 | Guide - Rack (RH)..... | 1 |
| 20 | 00-342141-00001 | Rack - Support (LH)..... | 1 |
| 21 | 00-342141-00002 | Rack - Support (RH)..... | 1 |
| 22 | 00-424833-00001 | Rack - Support (LH)..... | 1 |
| 23 | 00-424833-00002 | Rack - Support (RH)..... | 1 |
| 24 | 00-959456-00001 | Support - Rack Guide (LH & RH)..... | 2 |
| 25 | 00-423766-000G1 | Trim - Bottom W/Access Door Assy..... | 1 |
| 26 | 00-421797-00002 | Trim - Bottom..... | 1 |
| 27 | 00-499261-00002 | Trim - Bottom W/O Access Door Assy..... | 1 |
| 28 | 00-423758-00001 | Door - Access Trim..... | 1 |
| 29 | 00-499297-00001 | Door - Lower Access Trim..... | 1 |
| 30 | 00-425199-00001 | Fastener - Nylon (Push-In)..... | 2 |
| 31 | 00-424865-00001 | Cover - Trim..... | 1 |
| 32 | 00-357507-00001 | Seal - Horizontal Door (30-1/2 In. Long) (Top & Bottom)..... | 2 |
| 33 | 00-411265-00011 | Rack Assy..... | AR |
| 34 | 00-411265-00022 | Rack Assy..... | AR |
| 35 | 00-959523-00001 | Rack Assy..... | AR |
| 36 | 00-411265-00010 | Rack Assy..... | AR |
| 37 | 00-411265-00020 | Rack Assy..... | AR |
| 38 | 00-959523-00002 | Rack Assy..... | AR |
| 39 | 00-959753-00001 | Probe Guard & Retainer..... | 1 |
| 40 | SD-032-07 | Self-Tapping Screw 10-24 x 1/2 Hex Washer Hd., Type TT..... | 2 |
| 41 | SC-115-51 | Mach. Screw 10-32 x 1/2 Phil. Truss Hd..... | 2 |
| 42 | 00-347545-00001 | Catch Assy. - Door..... | 1 |
| 43 | 00-423848-00001 | Shim - Door Strike..... | AR |
| 44 | NS-038-03 | Lock Nut 10-32 SP..... | 2 |
| 45 | 00-497585-00001 | Plate - Strike..... | 1 |



**OVEN PANELS AND RACK SUPPORTS
(CURRENT CONSTRUCTION)**

**OVEN PANELS AND RACK SUPPORTS
(CURRENT CONSTRUCTION)**

| ILLUS. | PART NO. | NAME OF PART | AMT. |
|----------|-----------------|-------------------------------------------------------------|------|
| PL-61429 | | | |
| 1 | 00-424141-00002 | Top (SST)..... | 1 |
| 2 | 00-424229-00002 | Top (SST)..... | 1 |
| 3 | 00-421799-00001 | Top - Front..... | 1 |
| 4 | 00-961587-00001 | Clip - Hold Down..... | 2 |
| 5 | 00-922154 | Screw 1/4-20 x 1 Hex Hd..... | 9 |
| 6 | 00-961656-00001 | Support - Door (Upper)..... | 2 |
| 7 | 00-497585-00001 | Plate - Strike..... | 1 |
| 8 | 00-959753-00001 | Probe Guard & Retainer..... | 1 |
| 9 | SD-032-07 | Self-Tapping Screw 10-24 x 1/2 Hex Washer Hd., Type TT..... | 2 |
| 10 | 00-423758-00001 | Door - Access Trim..... | 1 |
| 11 | 00-499297-00001 | Door - Lower Access Trim..... | 1 |
| 12 | 00-425199-00001 | Fastener - Nylon (Push-In)..... | 2 |
| 13 | 00-423766-000G1 | Trim - Bottom W/Access Door Assy..... | 1 |
| 14 | 00-421797-00002 | Trim - Bottom..... | 1 |
| 15 | 00-499261-00002 | Trim - Bottom W/O Access Door Assy..... | 1 |
| 16 | 00-959523-00001 | Rack Assy..... | AR |
| 17 | 00-959523-00002 | Rack Assy..... | AR |
| 18 | 00-959456-00001 | Support - Rack Guide (LH & RH)..... | 2 |
| 19 | 00-961434-00001 | Guide - Rack (RH) (SG6)..... | AR |
| 20 | 00-961434-00002 | Guide - Rack (LH) (SG6)..... | AR |
| 21 | 00-357919-00001 | Kit - Door Seal..... | 1 |
| 22 | 00-423842-000G1 | Seal - Vertical Door (Set) (LH & RH)..... | 1 |
| 23 | 00-424142-00002 | Panel - Outer (SST) (LH)..... | 1 |
| 24 | 00-424230-00002 | Panel - Outer (SST) (LH)..... | 1 |
| 25 | 00-499302-00001 | Side - Left Body..... | 1 |
| 26 | 00-499303-00001 | Side - Left Body..... | 1 |
| 27 | 00-959770-00001 | Seal - Door (Top)..... | 1 |
| 28 | 00-959771-00001 | Seal - Door (Side)..... | 2 |
| 29 | 00-959772-00001 | Seal - Door (Bottom)..... | 1 |

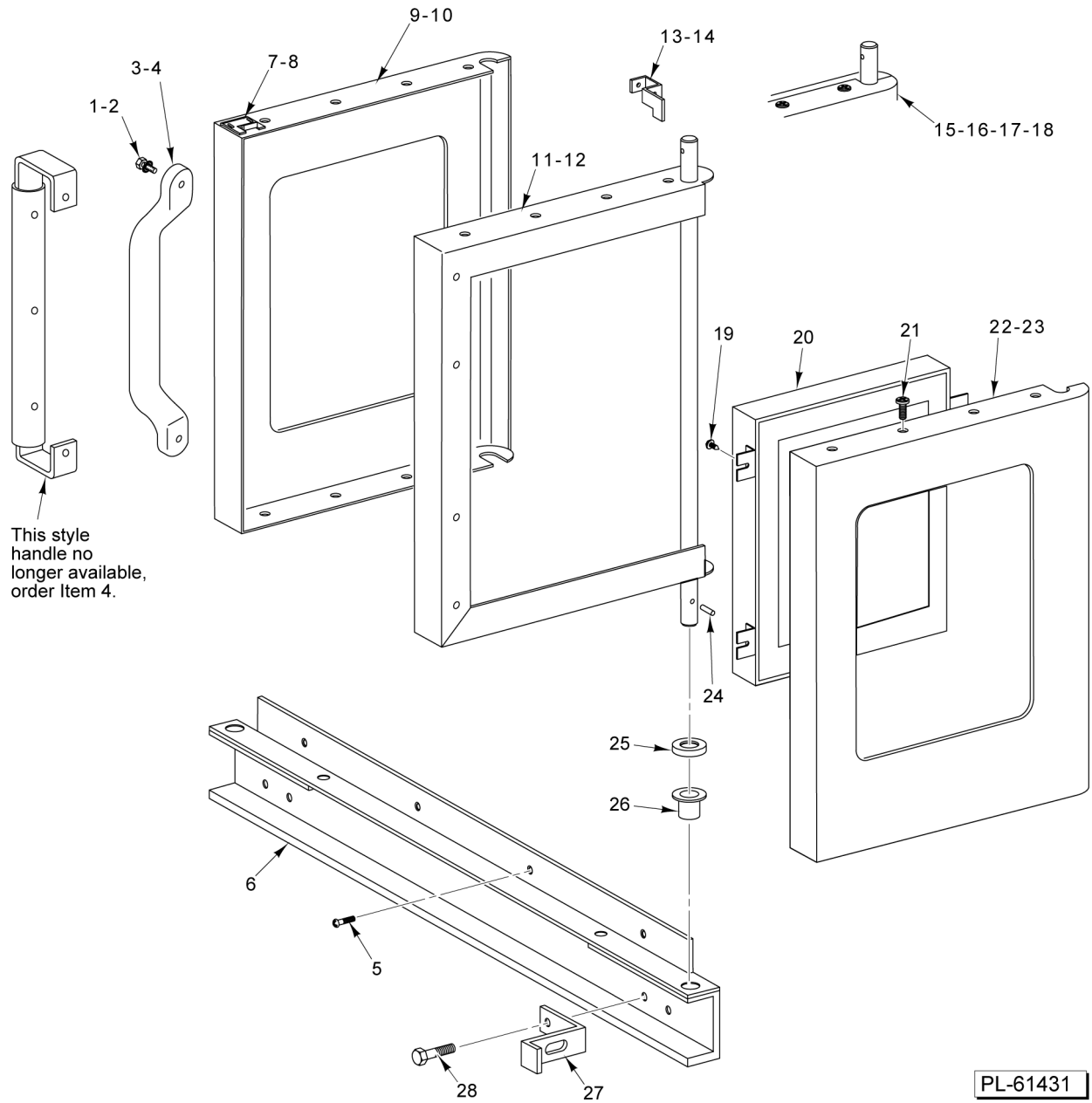


PL-61430

**CONVECTION MOTOR
(CURRENT CONSTRUCTION AFTER 3/19/19)**

**CONVECTION MOTOR
(CURRENT CONSTRUCTION AFTER 3/19/19)**

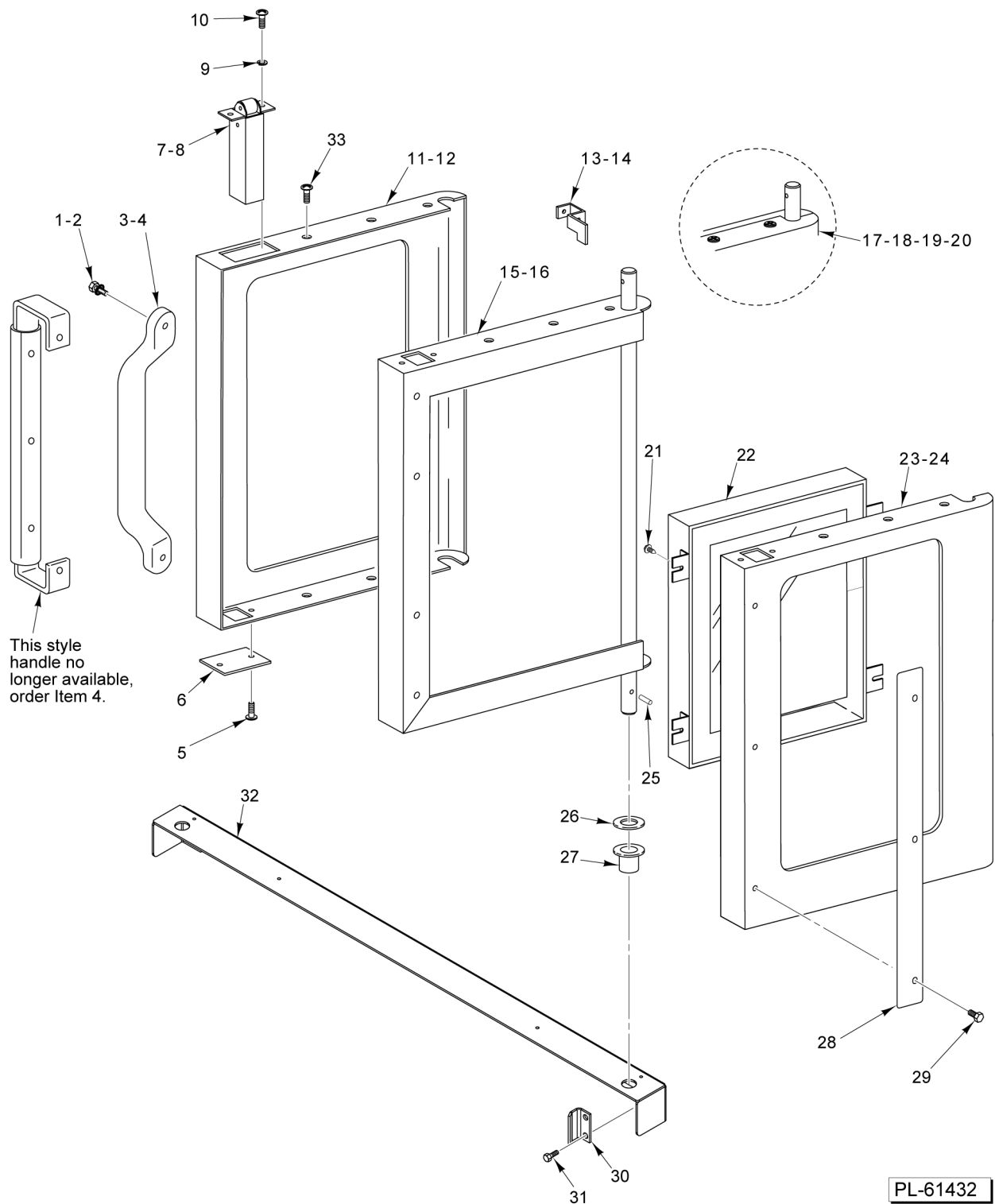
| ILLUS. PL-61430 | PART NO. | NAME OF PART | AMT. |
|--------------------|-----------------|-------------------------------------|------|
| 1 | SC-120-15 | Mach. Screw 1/4-20 x 4 Rd. Hd..... | 4 |
| 2 | 00-411136-00004 | Cover - Fan..... | 1 |
| 3 | 00-411289-00004 | Spacer - Fan Housing..... | 4 |
| 4 | 00-415780-00003 | Wheel - Blower..... | 1 |
| 5 | 00-961671-000G1 | Mount - Motor (Front)..... | 1 |
| 6 | 00-342159-00033 | Insulation (28 x 33 x 1 In.)..... | AR |
| 7 | 00-960963-00001 | Mount - Motor, Wrapper..... | 1 |
| 8 | 00-961668-00001 | Mount - Motor (Rear)..... | 1 |
| 9 | 00-961739-000G1 | Motor, 120 VAC, 0.5 HP..... | 1 |
| 10 | 00-961739-000G2 | Motor, 208-240 VAC, 0.5 HP..... | 1 |
| 11 | NS-046-86 | Nut Assy. 5/16-18 KEPS Hex..... | 6 |
| 12 | 00-961831-00001 | Pan - Drip, Motor..... | 1 |
| 13 | SC-037-75 | Cap Screw 5/16-18 x 3/4 Hex Hd..... | 2 |



**DOOR ASSEMBLY
(PREVIOUS CONSTRUCTION)**

**DOOR ASSEMBLY
(PREVIOUS CONSTRUCTION)**

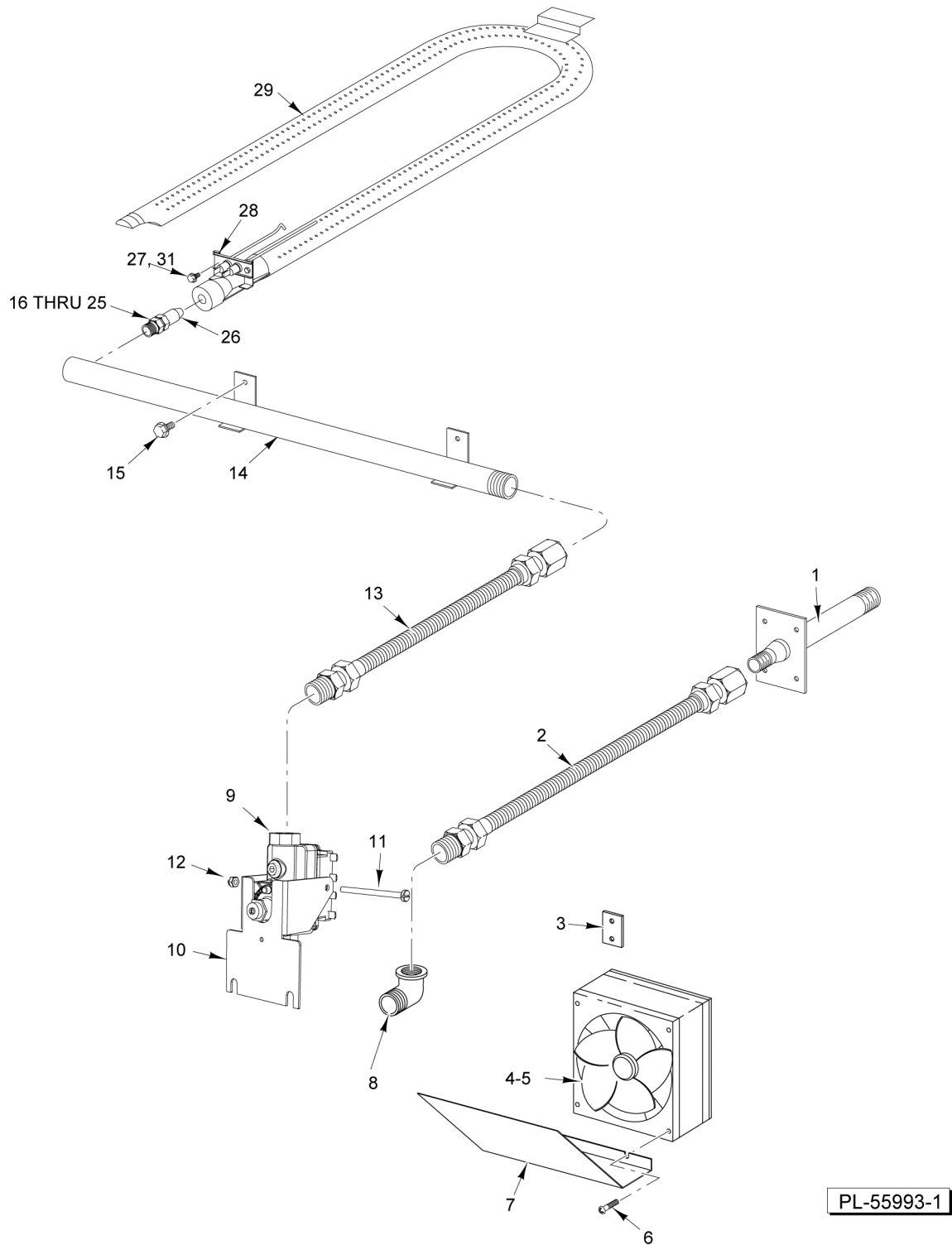
| ILLUS. PL-61431 | PART NO. | NAME OF PART | AMT. |
|--------------------|-----------------|--------------------------------------------------------------|------|
| 1 | 00-959087-00001 | Screw 1/4-20 x 1-1/4 Black Hd..... | 2 |
| 2 | WL-013-14 | Lockwasher 1/4 Internal Shakeproof..... | 2 |
| 3 | 00-957108-00001 | Handle - Molded (Black)..... | 1 |
| 4 | 00-913102-00179 | Kit - Handle..... | 1 |
| 5 | SC-022-40 | Mach. Screw 1/4-20 x 3/4 Phil. Flat Hd. (SST)..... | 4 |
| 6 | 00-357846-00001 | Channel - Door Sill Weldment..... | 1 |
| 7 | 00-423847-00001 | Strike - Door..... | 1 |
| 8 | SD-034-22 | Self-Tapping Screw 10-16 x 5/8 Phil. Truss Hd., Type AB..... | 2 |
| 9 | 00-358600-00001 | Panel - Outer Door (RH) (W/Window)..... | 1 |
| 10 | 00-358529-00006 | Door Assy. (LH) (W/O Window)..... | 1 |
| 11 | 00-421905-000G1 | Frame Assy. - Door (RH)..... | 1 |
| 12 | 00-421904-000G2 | Frame Assy. - Door (LH)..... | 1 |
| 13 | 00-424163-00001 | Lever - Door Switch..... | 1 |
| 14 | SD-034-52 | Self-Tapping Screw 8-32 x 1 Hex Washer Hd., Type T..... | 1 |
| 15 | 00-358529-00005 | Door Assy. (LH) (W/Window)..... | 1 |
| 16 | 00-358529-00006 | Door Assy. (LH) (W/O Window)..... | 1 |
| 17 | 00-358530-00003 | Door Assy. (RH) (W/Window)..... | 1 |
| 18 | 00-358530-00004 | Door Assy. (RH) (W/O Window)..... | 1 |
| 19 | SD-034-62 | Self-Tapping Screw 10-32 x 1/2 Hex Washer Hd., Type T..... | 4 |
| 20 | 00-358534-00001 | Window Assy..... | 1 |
| 21 | SD-034-22 | Self-Tapping Screw 10-16 x 5/8 Phil. Truss Hd., Type AB..... | 8 |
| 22 | 00-358532-00001 | Panel - Inner Door (W/Window)..... | 1 |
| 23 | 00-358533-00003 | Panel - Inner Door (W/O Window)..... | 1 |
| 24 | PS-004-11 | Spirol Pin 3/16 x 1-1/4 Heavy..... | 1 |
| 25 | 00-343143-00002 | Washer..... | 2 |
| 26 | 00-347080-00002 | Bearing - Door Shaft..... | 1 |
| 27 | 00-424158-00001 | Door Stop..... | 1 |
| 28 | SC-113-90 | Mach. Screw 1/4-20 x 3/4 Hex Hd..... | 2 |



**DOOR ASSEMBLY
(CURRENT CONSTRUCTION)**

**DOOR ASSEMBLY
(CURRENT CONSTRUCTION)**

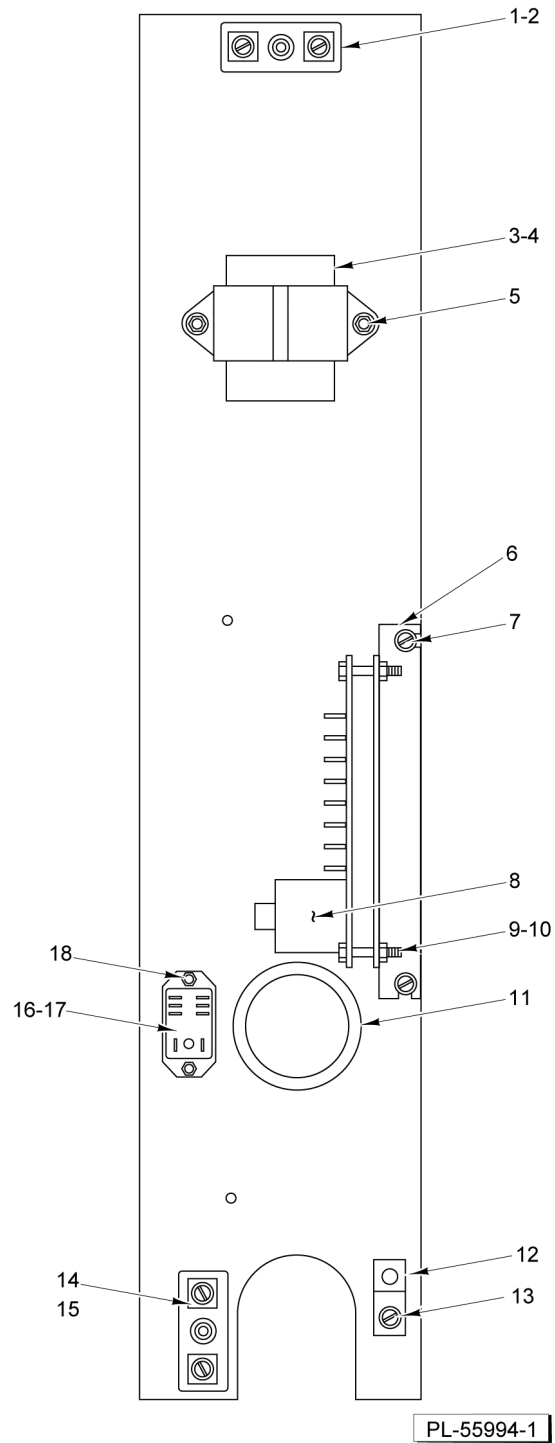
| ILLUS. PL-61432 | PART NO. | NAME OF PART | AMT. |
|--------------------|-----------------|--------------------------------------------------------------|------|
| 1 | 00-959087-00001 | Screw 1/4-20 x 1-1/4 Black Hd..... | 2 |
| 2 | WL-013-14 | Lockwasher 1/4 Internal Shakeproof..... | 2 |
| 3 | 00-957108-00001 | Handle - Molded (Black)..... | 1 |
| 4 | 00-913102-00179 | Kit - Handle..... | 1 |
| 5 | SD-034-22 | Self-Tapping Screw 10-16 x 5/8 Phil. Truss Hd., Type AB..... | 2 |
| 6 | 00-499264-00001 | Plate - Latch Cutout..... | 1 |
| 7 | 00-497586-00001 | Latch - Door Roller..... | 1 |
| 8 | 00-347545-00001 | Catch Assy. - Door (Ball Style) (Not Shown)..... | 1 |
| 9 | WL-013-11 | Lockwasher #10 Internal Shakeproof..... | 2 |
| 10 | SC-117-73 | Mach. Screw 10-32 x 5/8 Phil. Truss Hd..... | 2 |
| 11 | 00-358600-00001 | Panel - Outer Door (RH) (W/Window)..... | 1 |
| 12 | 00-358600-00002 | Panel - Outer Door (RH) (W/O Window)..... | 1 |
| 13 | 00-424163-00001 | Lever - Door Switch..... | 1 |
| 14 | SD-034-52 | Self-Tapping Screw 8-32 x 1 Hex Washer Hd., Type T..... | 1 |
| 15 | 00-421905-000G1 | Frame Assy. - Door (RH)..... | 1 |
| 16 | 00-421904-000G2 | Frame Assy. - Door (LH)..... | 1 |
| 17 | 00-499285-000G1 | Door Assy. (LH) (W/Window)..... | 1 |
| 18 | 00-499285-000G2 | Door Assy. (LH) (W/O Window)..... | 1 |
| 19 | 00-499286-000G1 | Door Assy. (RH) (W/Window)..... | 1 |
| 20 | 00-499286-000G2 | Door Assy. (RH) (W/O Window)..... | 1 |
| 21 | SD-034-62 | Self-Tapping Screw 10-32 x 1/2 Hex Washer Hd., Type T..... | 4 |
| 22 | 00-358534-00001 | Window Assy..... | 1 |
| 23 | 00-358532-00001 | Panel - Inner Door (W/Window)..... | 1 |
| 24 | 00-358533-00003 | Panel - Inner Door (W/O Window)..... | 1 |
| 25 | PS-004-11 | Spirol Pin 3/16 x 1-1/4 Heavy..... | 1 |
| 26 | 00-343143-00002 | Washer..... | 2 |
| 27 | 00-347080-00002 | Bearing - Door Shaft..... | 1 |
| 28 | 00-357837-00001 | Seal - Door End..... | 1 |
| 29 | SD-034-22 | Self-Tapping Screw 10-16 x 5/8 Phil. Truss Hd., Type AB..... | 3 |
| 30 | 00-961535-00001 | Stop - Door..... | 1 |
| 31 | 00-922154 | Screw 1/4-20 x 1 Hex Hd..... | 6 |
| 32 | 00-961294-00001 | Support - Lower Door..... | 1 |
| 33 | SD-034-22 | Self-Tapping Screw 10-16 x 5/8 Phil. Truss Hd., Type AB..... | 2 |



GAS PIPING AND FLAME CHAMBER

GAS PIPING AND FLAME CHAMBER

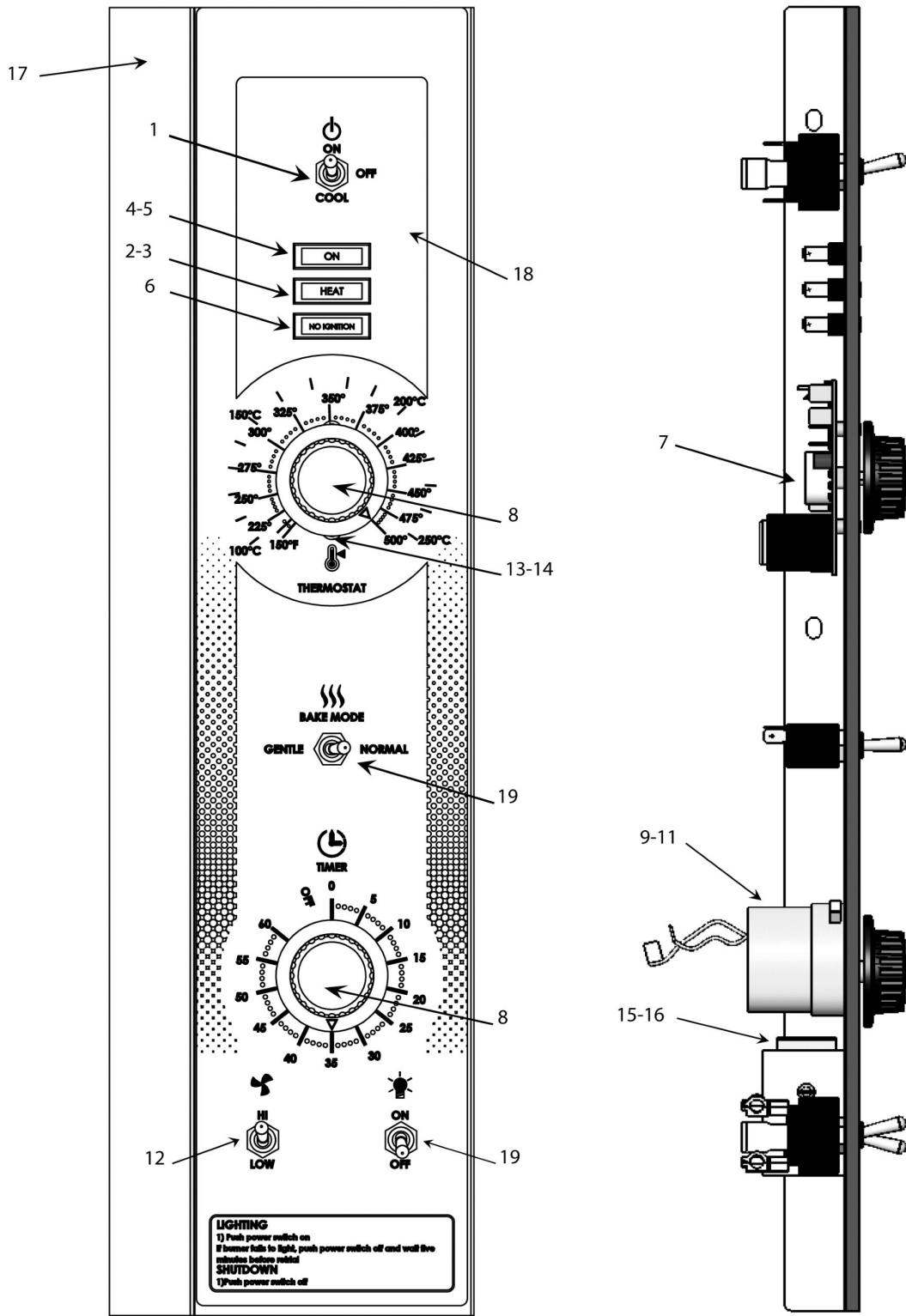
| ILLUS. | PART NO. | NAME OF PART | AMT. |
|------------|-----------------|------------------------------------------------------------------|------|
| PL-55993-1 | | | |
| 1 | 00-423819-00003 | Pipe - Weldment Gas Inlet..... | 1 |
| 2 | 00-423828-00006 | Tube - Flex (30 In.)..... | 1 |
| 3 | 00-425433-00001 | Fan - Clip..... | 4 |
| 4 | 00-424940-00001 | Fan - Cooling (120 V.)..... | 1 |
| 5 | 00-424940-00002 | Fan - Cooling (230 V.)..... | 1 |
| 6 | SD-034-52 | Self-Tapping Screw 8-32 x 1 Hex Washer Hd., Type T..... | 1 |
| 7 | 00-423820-00001 | Deflector - Air (Previous Construction)..... | 1 |
| 8 | FP-078-75 | Elbow - Pipe 3/8 x 90 Deg..... | 1 |
| 9 | 00-959662-00001 | Valve - Combination Gas, Convertable (NAT & LP)..... | 1 |
| 10 | 00-959486-00001 | Bracket - Gas Valve..... | 1 |
| 11 | SC-007-93 | Mach. Screw 10-24 X 2-1/2 Slotted Rd. Hd..... | 1 |
| 12 | NS-048-22 | Nut, Lock SP. 10-24..... | 1 |
| 13 | 00-423828-00007 | Tube - Flex (18 In.)..... | 1 |
| 14 | 00-424138-00001 | Manifold..... | 1 |
| 15 | SC-113-80 | Cap Screw 1/4-20 x 1/2 Hex Hd..... | 2 |
| 16 | 00-010901-00029 | Orifice - Spud (29 Drill) (NAT) (Sea Level to 2499 Ft.)..... | 1 |
| 17 | 00-010901-00030 | Orifice - Spud (30 Drill) (NAT) (2500 to 3499 Ft.)..... | 1 |
| 18 | 00-010901-00030 | Orifice - Spud (30 Drill) (NAT) (3500 to 4499 Ft.)..... | 1 |
| 19 | 00-010901-00031 | Orifice - Spud (31 Drill) (NAT) (4500 to 6499 Ft.)..... | 1 |
| 20 | 00-010901-00031 | Orifice - Spud (31 Drill) (NAT) (6500 to 8499 Ft.)..... | 1 |
| 21 | 00-010901-00032 | Orifice - Spud (32 Drill) (NAT) (8500 to 10500 Ft.)..... | 1 |
| 22 | 00-010901-00044 | Orifice - Spud (44 Drill) (PRO/BUT) (Sea Level to 2499 Ft.)..... | 1 |
| 23 | 00-010901-00045 | (PRO/BUT) (2500 to 4499 Ft.)..... | 1 |
| 24 | 00-010901-00047 | Orifice - Spud (47 Drill) (PRO/BUT) (4500 to 7499 Ft.)..... | 1 |
| 25 | 00-010901-00048 | Orifice 1 Spud (48 Drill) (PRO/BUT) (7500 to 10500 Ft.)..... | 1 |
| 23 | 00-417879-00001 | Nozzle - Burner..... | 1 |
| 27 | SC-114-27 | Mach. Screw 8-32 x 1/2 Phil. Pan Hd..... | 2 |
| 28 | 00-959507-00001 | Igniter - Burner..... | 1 |
| 29 | 00-959508-00001 | Burner..... | 1 |
| 30 | 00-959379-00001 | Cover - Burner Access, Mid (Not Shown)..... | AR |
| 31 | NS-044-07 | Nut Assy. 8-32 Hex Keps..... | 1 |



ELECTRICAL COMPONENT PANEL

ELECTRICAL COMPONENT PANEL

| ILLUS. | PART NO. | NAME OF PART | AMT. |
|------------|-----------------|---------------------------------------------------------------------------|------|
| PL-55994-1 | | | |
| 1 | 00-417934-000G1 | Block Assy. - Porcelain..... | 1 |
| 2 | SD-034-52 | Self-Tapping Screw 8-32 x 1 Hex Washer Hd., Type T..... | 1 |
| 3 | 00-411500-00012 | Transformer (120 VAC, 24 V., 40 VA)..... | 1 |
| 4 | 00-411500-00013 | Transformer (200-240 VAC, 28 V., 20 VA)..... | AR |
| 5 | SD-032-07 | Self-Tapping Screw 10-24 x 1/2 Hex Washer Hd., Type TT..... | 2 |
| 6 | 00-423760-00001 | Bracket - Ignition Module..... | 1 |
| 7 | SD-032-07 | Self-Tapping Screw 10-24 x 1/2 Hex Washer Hd., Type TT..... | 1 |
| 8 | 00-913102-00292 | Control - Spark Ignition Kit Includes 18-22 connector 1/4" insulated..... | 1 |
| 9 | SD-034-52 | Self-Tapping Screw 8-32 x 1 Hex Washer Hd., Type T..... | 2 |
| 10 | NS-044-07 | Nut Assy. 8-32 Hex Keps..... | 2 |
| 11 | FE-024-23 | Bushing - Electrical (Snap)..... | 1 |
| 12 | 00-417856-00001 | Lug - Grounding (With Set Screw)..... | 1 |
| 13 | SD-032-07 | Self-Tapping Screw 10-24 x 1/2 Hex Washer Hd., Type TT..... | 1 |
| 14 | 00-417934-000G1 | Block Assy. - Porcelain..... | 1 |
| 15 | SD-034-52 | Self-Tapping Screw 8-32 x 1 Hex Washer Hd., Type T..... | 1 |
| 16 | 00-416535-00006 | Relay - Heating (120 V.)..... | 1 |
| 17 | 00-416535-00007 | Relay - Heating (200-240 V.)..... | 1 |
| 18 | SD-034-49 | Self-Tapping Screw 8-32 x 1/2 Hex Washer Hd., Type T..... | 1 |
| 19 | 00-353589-00001 | Probe Temperature (SST) Solid State (Items Not Shown)..... | 1 |
| 20 | 00-423813-00003 | Wire - Ignition (High Voltage) (Items Not Shown)..... | 1 |
| 21 | 00-428428-000G1 | Wire Assy. - Flame Sensor (Items Not Shown)..... | 1 |



CONTROL PANEL

CONTROL PANEL

| ILLUS. | PART NO. | NAME OF PART | AMT. |
|--------------------------------|------------------|------------------------------------------------------|------|
| PL-F45395 CONTROL PANEL | | | |
| 1 | 00-340324-00008 | Switch -Toggle (D.P.D.T) (ON/OFF/ON)..... | 1 |
| 2 | 00-354575-00010 | Light - Indicator (Clear) 120V. (Heat)..... | 1 |
| 3 | 00-354575-00009 | Light - Indicator (Clear) 250V. (Heat)..... | 1 |
| 4 | 00-354575-00008 | Light - Indicator (Amber) 120V. (ON)..... | 1 |
| 5 | 00-354575-00007 | Light - Indicator (Amber) 250V. (ON)..... | 1 |
| 6 | 00-354575-00004 | Light - Indicator 24V. (No-Ign.)..... | 1 |
| 7 | 00-428897-00008 | Board - Temperature Control, NCC..... | 1 |
| 8 | 00-411242-00001 | Knob..... | 1 |
| 9 | 00-411690-00001 | Timer (120 V.) (60 Hz.) (1-Hr.)..... | 1 |
| 10 | 00-411690-00002 | Timer (200-240 V.) (60 Hz.) (1-Hr.)..... | 1 |
| 11 | 00-411690-00005 | Timer (240 V.) (50 Hz.) (1-Hr.)..... | 1 |
| 12 | 00-340324-00009 | Switch (D.P.D.T.)..... | 1 |
| 13 | SC-114-83 | Mach. Screw 6-32 x 1/4 Slotted Pan Hd. (SST)..... | 2 |
| 14 | WS-028-20 | Washer (SST)..... | 2 |
| 15 | 00-411499-00003 | Buzzer (230 V.)..... | 1 |
| 16 | 00-411499-00004 | Buzzer (115 V.)..... | 1 |
| 17 | 00-959489-000G1 | Panel - Control Weldment..... | 1 |
| 18 | 00-959654-00001 | Overlay - Panel..... | 1 |
| 19 | 00-340324-000012 | Switch (S.P.S.T.) (ON/OFF) (Bake Mode & Lights)..... | AR |

