

STANDARD FEATURES

- Muro H12-1 – (1) shelf
- Muro H12-2 – (2) shelves
- Double pane side glass ends
- Dixell digital control
- Diffused LED lighting 3000°K
- Straight or inclined shelf/shelves
- Polished stainless steel interior and exterior
- Self-Contained – Floor Sink Recommended
- Adjustable feet
- Cases ship standard stainless steel interior and exterior
- Roll down night curtain
- Self contained bottom mount (BM) – 34 1/2” deep (standard) or rear mount- RM – 47 1/4” deep (optional)
- Muro H12-1-A90X and Muro H12-2-A90X models: available standard remote condensing unit only

OPTIONS

- Stainless steel side panels in lieu of glass
- Remote/water cooled condensing unit
- Remote condensing unit with back shelving: 38” total depth
- Self contained rear mount- RM – 47 1/4” deep w/ back shelving
- Roll down night shutter with lock – length increases and solid sides are required. Adds 1-3/4” to each side
- Shelf/shelves fence for inclined position
- Epoxy RAL color interior and exterior over stainless steel
- RAL color/custom plastic wood laminate exterior front and sides
- Unfinished panels to accept millwork by others
- Custom height chassis modification
- Condensate heated pan with fan
- Casters

MURO H12-1 & MURO H12-2

Self-Serve Air Screen Refrigeration Showcase

MURO H12-1 MODELS: MURO H12-1-1000, MURO H12-1-1200, MURO H12-1-1500, MURO H12-1-1800, MURO H12-1-2000, MURO H12-1-2400, MURO H12-1-A90SQ, MURO H12-1-A90X

MURO H12-2 MODELS: MURO H12-2-1000, MURO H12-2-1200, MURO H12-2-1500, MURO H12-2-1800, MURO H12-2-2000, MURO H12-2-2400, MURO H12-2-A90SQ, MURO H12-2-A90X



Photo shown in remote application with custom fascia, corner 90° and glass top



Visit our website for more finishing options and RAL colors
www.oscartek.com

*Oscartek reserves the right to change, modify, discontinue, or change any features, sizes, or capacity on any model without prior notice.



Project Name: _____
 Item #: _____ Quantity: _____

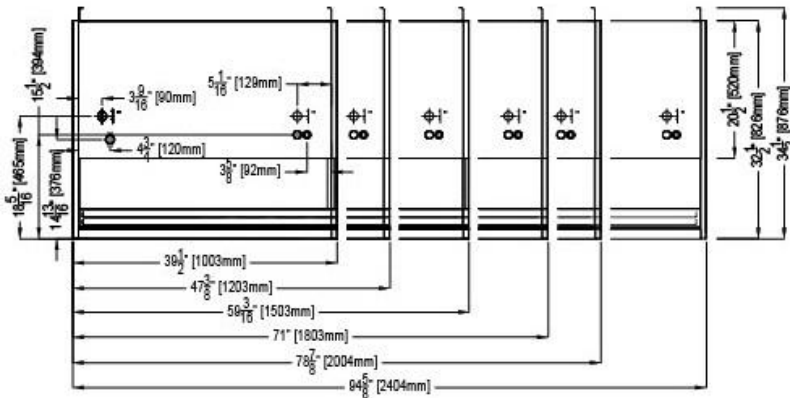
MURO H12-1 & MURO H12-2

MURO H12-1 MODELS: MURO H12-1-1000, MURO H12-1-1200, MURO H12-1-1500, MURO H12-1-1800, MURO H12-1-2000, MURO H12-1-2400, MURO H12-1-A90SQ, MURO H12-1-A90X

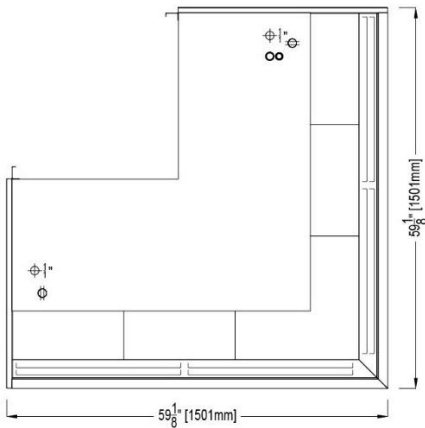
MURO H12-2 MODELS: MURO H12-2-1000, MURO H12-2-1200, MURO H12-2-1500, MURO H12-2-1800, MURO H12-2-2000, MURO H12-2-2400, MURO H12-2-A90SQ, MURO H12-2-A90X

STANDARD: MURO H12-1 SELF SERVE – SELF CONTAINED

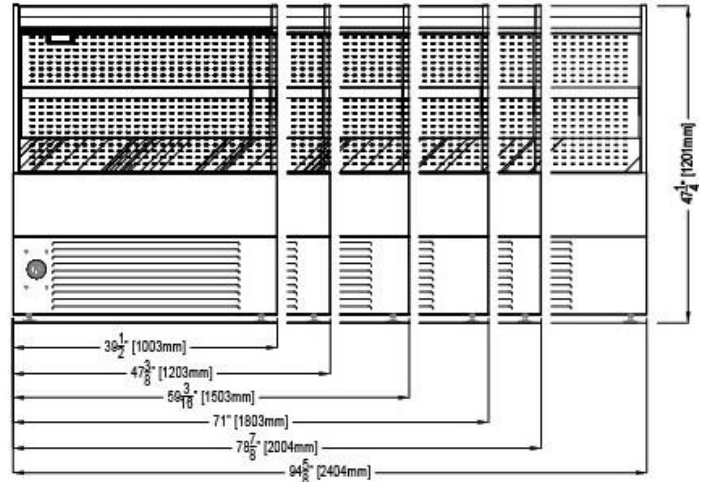
PLAN VIEWS



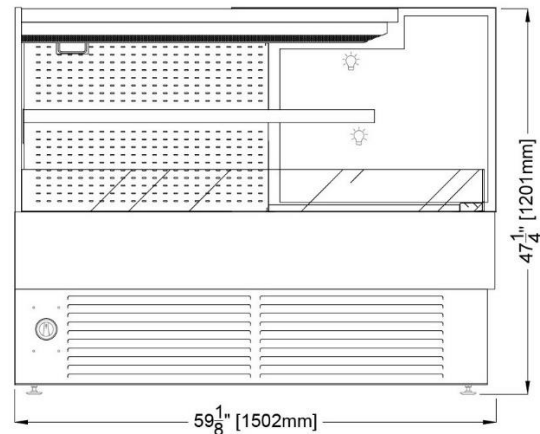
STANDARD: MURO H12-1 A90SQ PLAN VIEW



FRONT ELEVATIONS: (CUSTOMER SIDE)



STANDARD: MURO H12-1 A90SQ FRONT ELEVATION (CUSTOMER SIDE)



ELECTRICAL LEGEND

∞	REFRIGERATION LINES
⊕ 1"	DRAIN
⊕	POWER

*Oscartek reserves the right to change, modify, discontinue, or change any features, sizes, or capacity on any model without prior notice.

OSCARTEK®
 512 South Airport Blvd., South San Francisco, CA 94080
 Tel: 650.342.2400 | Fax: 650.342.7400
 www.oscartek.com



MURO H12-1 & MURO H12-2

MURO H12-1 MODELS: MURO H12-1-1000, MURO H12-1-1200, MURO H12-1-1500, MURO H12-1-1800, MURO H12-1-2000, MURO H12-1-2400, MURO H12-1-A90SQ, MURO H12-1-A90X

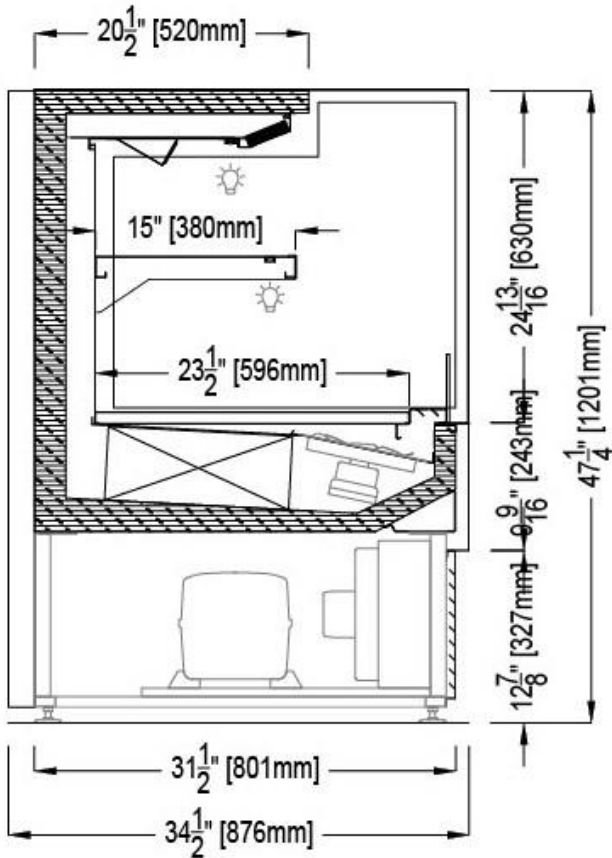
MURO H12-2 MODELS: MURO H12-2-1000, MURO H12-2-1200, MURO H12-2-1500, MURO H12-2-1800, MURO H12-2-2000, MURO H12-2-2400, MURO H12-2-A90SQ, MURO H12-2-A90X

STANDARD:

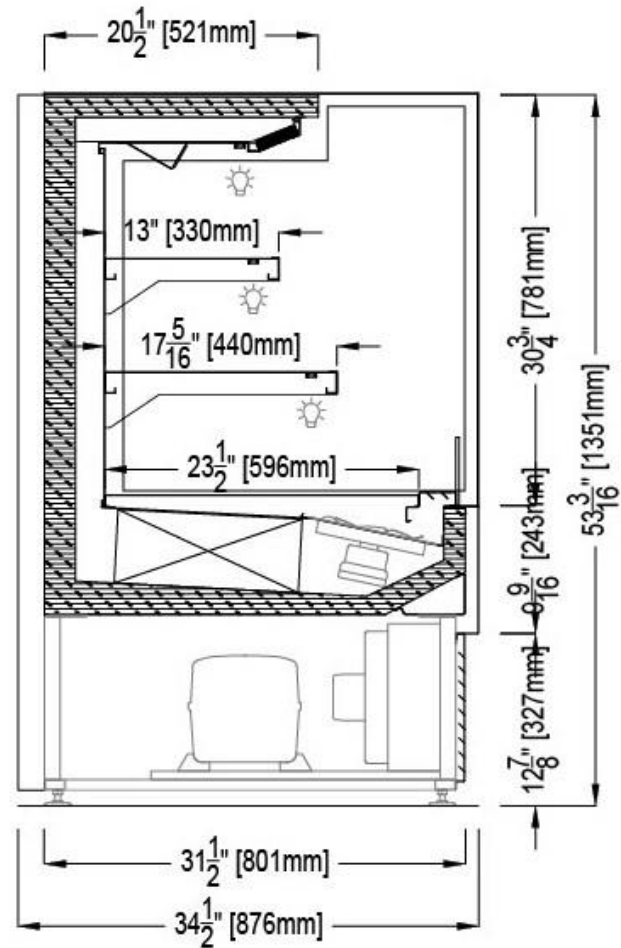
MURO H12-1 & MURO H12-2 – SELF CONTAINED: BOTTOM MOUNT (BM)

SECTION VIEWS

**MURO H12-1
SELF CONTAINED: BM**



**MURO H12-2
SELF CONTAINED: BM**



*Oscartek reserves the right to change, modify, discontinue, or change any features, sizes, or capacity on any model without prior notice.

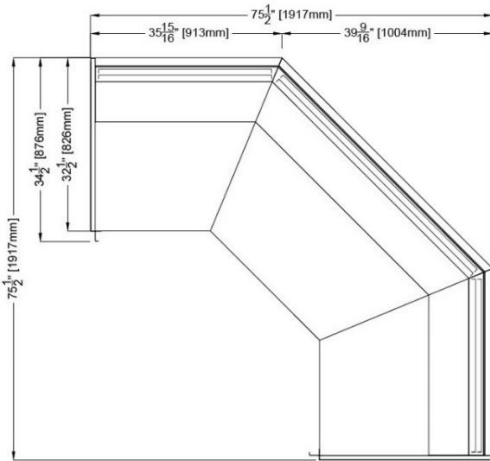
MURO H12-1 & MURO H12-2

MURO H12-1 MODELS: MURO H12-1-1000, MURO H12-1-1200, MURO H12-1-1500, MURO H12-1-1800, MURO H12-1-2000, MURO H12-1-2400, MURO H12-1-A90SQ, MURO H12-1-A90X

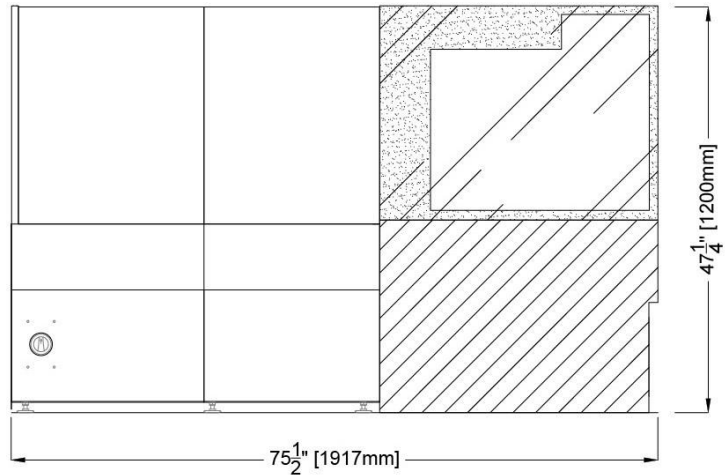
MURO H12-2 MODELS: MURO H12-2-1000, MURO H12-2-1200, MURO H12-2-1500, MURO H12-2-1800, MURO H12-2-2000, MURO H12-2-2400, MURO H12-2-A90SQ, MURO H12-2-A90X

STANDARD: MURO H12-1 A90X – STANDARD REMOTE CONDENSING UNIT

PLAN VIEW

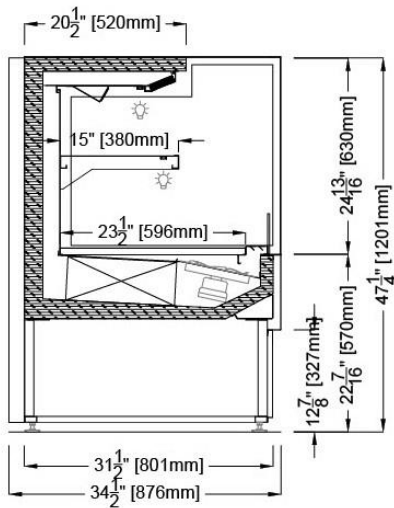


**REAR ELEVATION:
(OPERATOR SIDE)**

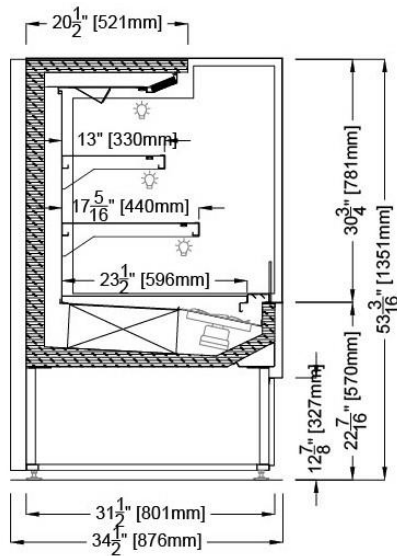


STANDARD: MURO H12-1 & MURO H12-2 A90X – STANDARD REMOTE CONDENSING UNIT SECTIONS

**MURO H12-1 A90X
REMOTE CONDENSING UNIT**



**MURO H12-2 A90X
REMOTE CONDENSING UNIT**



*Oscartek reserves the right to change, modify, discontinue, or change any features, sizes, or capacity on any model without prior notice.

MURO H12-1 & MURO H12-2

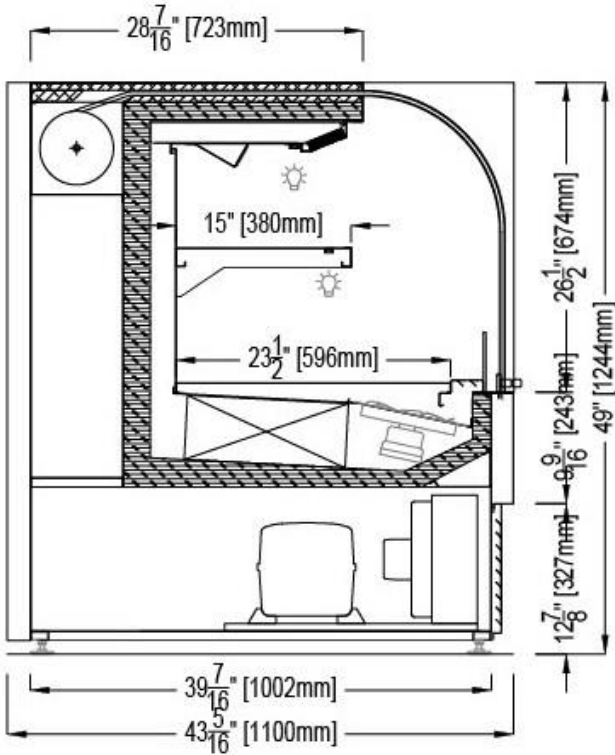
MURO H12-1 MODELS: MURO H12-1-1000, MURO H12-1-1200, MURO H12-1-1500, MURO H12-1-1800, MURO H12-1-2000, MURO H12-1-2400, MURO H12-1-A90SQ, MURO H12-1-A90X

MURO H12-2 MODELS: MURO H12-2-1000, MURO H12-2-1200, MURO H12-2-1500, MURO H12-2-1800, MURO H12-2-2000, MURO H12-2-2400, MURO H12-2-A90SQ, MURO H12-2-A90X

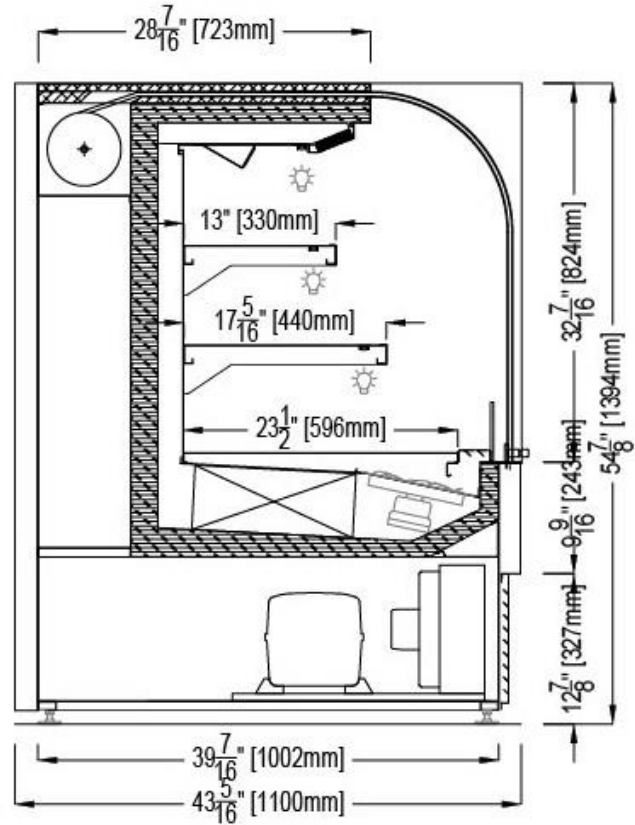
OPTIONALS:

MURO H12-1 & MURO H12-2 - SELF CONTAINED: BOTTOM MOUNT (BM) – ROLL DOWN SHUTTER WITH LOCK SECTION VIEWS

**MURO H12-1 SELF CONTAINED:
BM – NIGHT SHUTTER W/ LOCK**



**MURO H12-2 SELF CONTAINED:
BM – NIGHT SHUTTER W/ LOCK**



*Oscartek reserves the right to change, modify, discontinue, or change any features, sizes, or capacity on any model without prior notice.

MURO H12-1 & MURO H12-2

MURO H12-1 MODELS: MURO H12-1-1000, MURO H12-1-1200, MURO H12-1-1500, MURO H12-1-1800, MURO H12-1-2000, MURO H12-1-2400, MURO H12-1-A90SQ, MURO H12-1-A90X

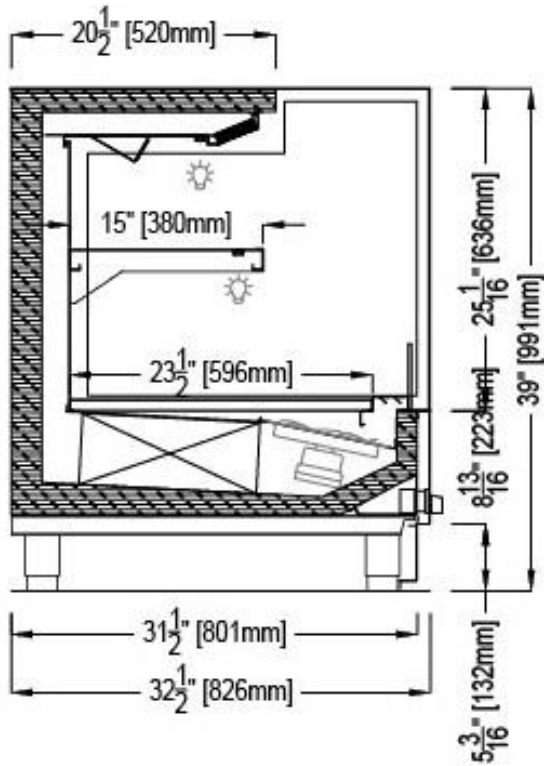
MURO H12-2 MODELS: MURO H12-2-1000, MURO H12-2-1200, MURO H12-2-1500, MURO H12-2-1800, MURO H12-2-2000, MURO H12-2-2400, MURO H12-2-A90SQ, MURO H12-2-A90X

OPTIONALS:

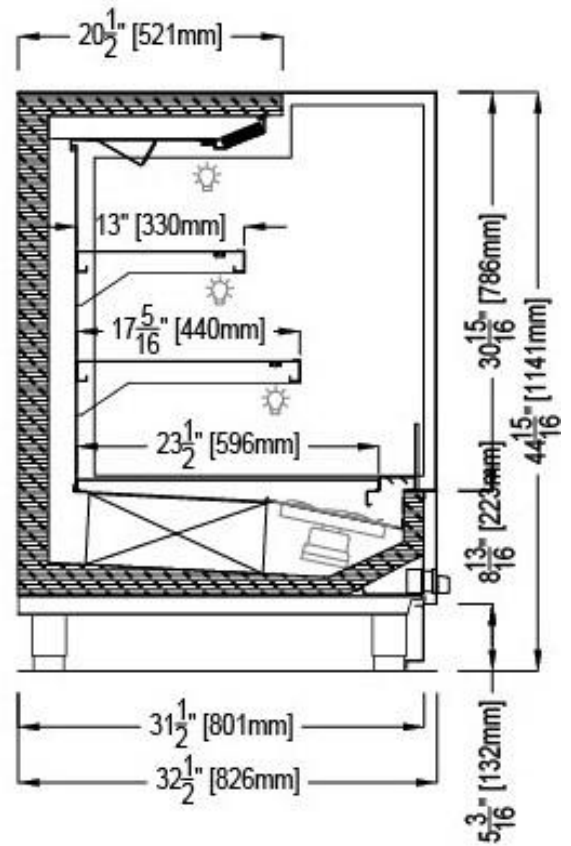
MURO H12-1 & MURO H12-2 – REMOTE CONDENSING UNIT

SECTION VIEWS

**MURO H12-1
REMOTE CONDENSING UNIT**



**MURO H12-2
REMOTE CONDENSING UNIT**



*Oscartek reserves the right to change, modify, discontinue, or change any features, sizes, or capacity on any model without prior notice.

MURO H12-1 & MURO H12-2

MURO H12-1 MODELS: MURO H12-1-1000, MURO H12-1-1200, MURO H12-1-1500, MURO H12-1-1800, MURO H12-1-2000, MURO H12-1-2400, MURO H12-1-A90SQ, MURO H12-1-A90X

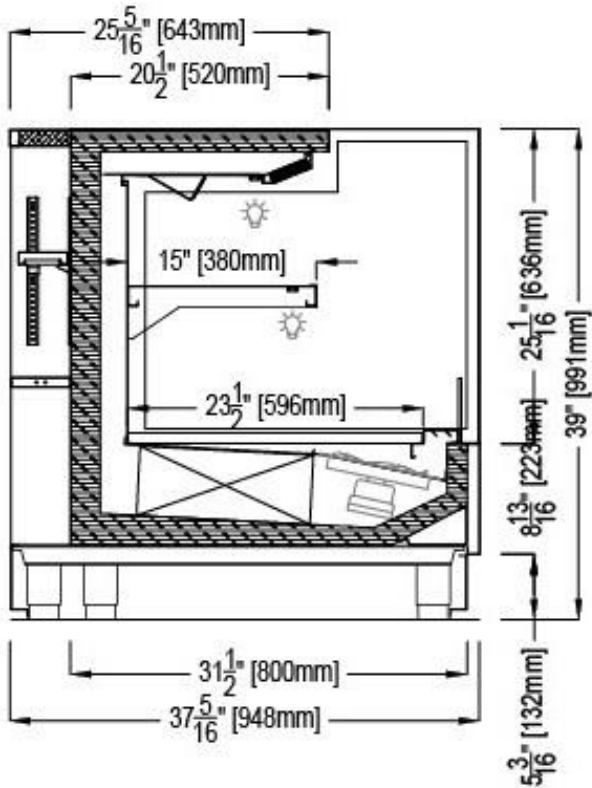
MURO H12-2 MODELS: MURO H12-2-1000, MURO H12-2-1200, MURO H12-2-1500, MURO H12-2-1800, MURO H12-2-2000, MURO H12-2-2400, MURO H12-2-A90SQ, MURO H12-2-A90X

OPTIONALS:

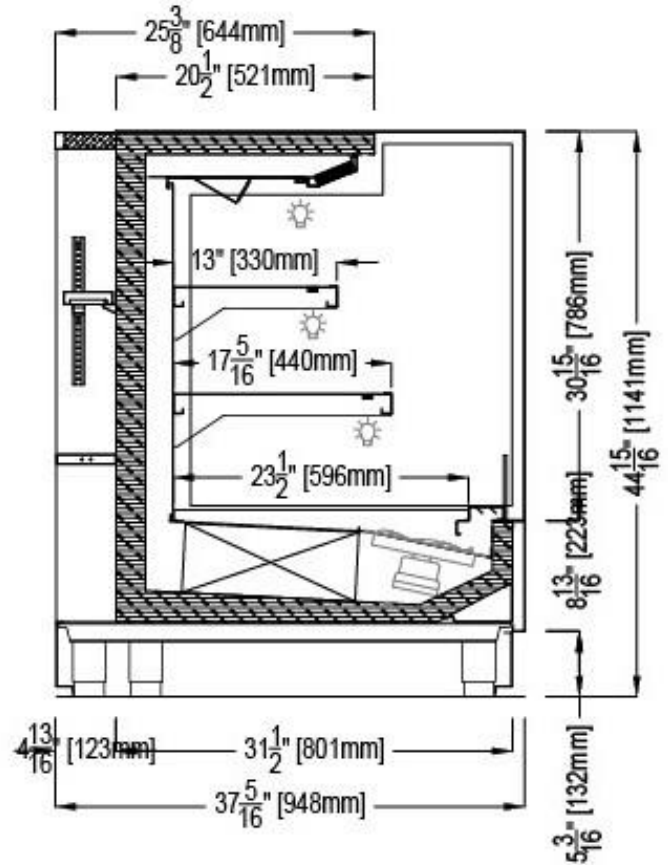
MURO H12-1 & MURO H12-2 – REMOTE CONDENSING UNIT WITH BACK SHELVING

SECTION VIEWS

MURO H12-1: REMOTE CONDENSING UNIT W/ BACK SHELVING



MURO H12-2: REMOTE CONDENSING UNIT W/ BACK SHELVING



*Oscartek reserves the right to change, modify, discontinue, or change any features, sizes, or capacity on any model without prior notice.

MURO H12-1 & MURO H12-2

MURO H12-1 MODELS: MURO H12-1-1000, MURO H12-1-1200, MURO H12-1-1500, MURO H12-1-1800, MURO H12-1-2000, MURO H12-1-2400, MURO H12-1-A90SQ, MURO H12-1-A90X

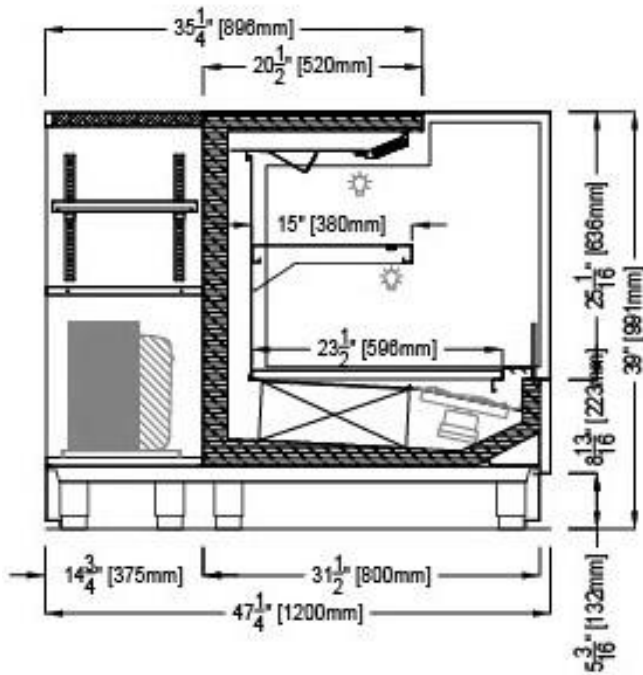
MURO H12-2 MODELS: MURO H12-2-1000, MURO H12-2-1200, MURO H12-2-1500, MURO H12-2-1800, MURO H12-2-2000, MURO H12-2-2400, MURO H12-2-A90SQ, MURO H12-2-A90X

OPTIONALS:

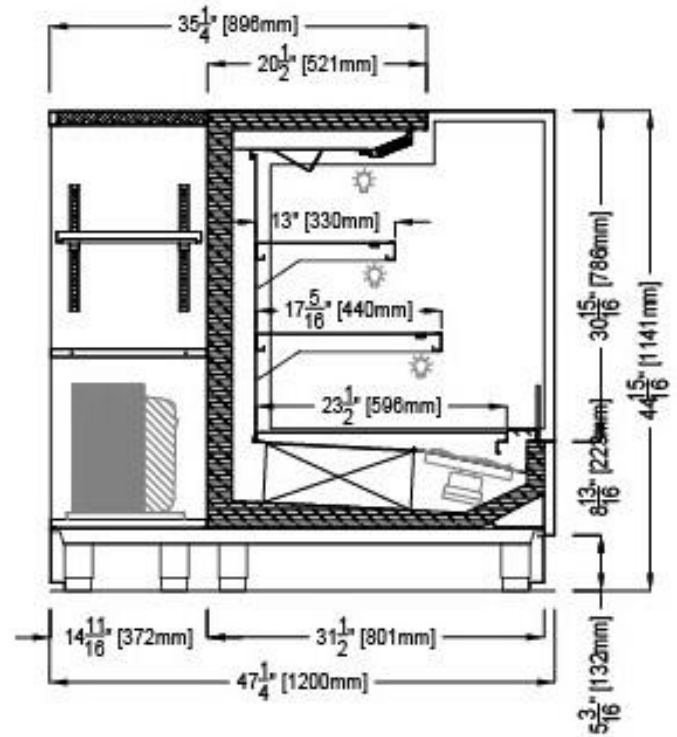
MURO H12-1 & MURO H12-2 – SELF CONTAINED REAR MOUNT (RM) WITH BACK SHELVING

SECTION VIEWS

MURO H12-1: SELF CONTAINED RM W/ BACK SHELVING



MURO H12-2: SELF CONTAINED RM W/ BACK SHELVING



*Oscartek reserves the right to change, modify, discontinue, or change any features, sizes, or capacity on any model without prior notice.



Project Name: _____
 Item #: _____ Quantity: _____

MURO H12-1 & MURO H12-2

MURO H12-1 MODELS: MURO H12-1-1000, MURO H12-1-1200, MURO H12-1-1500, MURO H12-1-1800, MURO H12-1-2000, MURO H12-1-2400, MURO H12-1-A90SQ, MURO H12-1-A90X

MURO H12-2 MODELS: MURO H12-2-1000, MURO H12-2-1200, MURO H12-2-1500, MURO H12-2-1800, MURO H12-2-2000, MURO H12-2-2400, MURO H12-2-A90SQ, MURO H12-2-A90X

MURO H12-1 SELF SERVE AIR SCREEN REFRIGERATION					
TECHNICAL FEATURES		MODELS			
		MURO H12-1-1000 (MUROH12391S)	MURO H12-1-1200 (MUROH12471S)	MURO H12-1-1500 (MUROH12591S)	MURO H12-1-1800 (MUROH12711S)
External Dimensions (L-D-H) Inches-MM	Inches MM	* 39 1/2" - 34 1/2" - 47 1/4" *1003 - 876 - 1201	*47 3/8" - 34 1/2" - 47 1/4" *1203 - 876 - 1201	*59 3/16" - 34 1/2" - 47 1/4" *1503 - 876 - 1201	*71" - 34 1/2" - 47 1/4" *1803 - 876 - 1201
Crated Dimensions (L-D-H) Inches-MM	Inches MM	46" - 41" - 54" 1168 - 1041 - 1371	55" - 41" - 54" 1397 - 1041 - 1371	66" - 41" - 54" 1676 - 1041 - 1371	77" - 41" - 54" 1955 - 1041 - 1371
Operating Temperature	°F	40°F	40°F	40°F	40°F
BTU's @ +14°F Evap Temperature	**BTU'S	**5200	**6200	**6800	**7500
Electric Supply	(V/Ph/Hz)	208-220/1/60	208-220/1/60	208-220/1/60	208-220/1/60
Power Consumption	(W/A)	1350/6.5	1400/7.0	1500/7.8	1600/8.0
Climate Class	°F/H.R.	75°F-55%RH	75°F-55%RH	75°F-55%RH	75°F-55%RH
Refrigerant Gas	Type	R404A / R452A	R404A / R452A	R404A / R452A	R404A / R452A
Pipe Size (Inches)	Suction, Liquid	5/8" Suction, 5/16" Liquid	5/8" Suction, 5/16" Liquid	5/8" Suction, 5/16" Liquid	5/8" Suction, 5/16" Liquid
Net Weights	Lb	240	285	375	420
Crated Weights	Lb	320	365	455	510
*DIMENSIONS ARE WITH POLISHED S/S SIDES					
**ACTUAL BTU'S WILL VARY. YOU MUST RELY ON PRODUCTION DRAWINGS SUBMITTED PER EACH PROJECT.					

*Oscartek reserves the right to change, modify, discontinue, or change any features, sizes, or capacity on any model without prior notice.

OSCARTEK®
 512 South Airport Blvd., South San Francisco, CA 94080
 Tel: 650.342.2400 | Fax: 650.342.7400
 www.oscartek.com





Project Name: _____
 Item #: _____ Quantity: _____

MURO H12-1 & MURO H12-2

MURO H12-1 MODELS: MURO H12-1-1000, MURO H12-1-1200, MURO H12-1-1500, MURO H12-1-1800, MURO H12-1-2000, MURO H12-1-2400, MURO H12-1-A90SQ, MURO H12-1-A90X

MURO H12-2 MODELS: MURO H12-2-1000, MURO H12-2-1200, MURO H12-2-1500, MURO H12-2-1800, MURO H12-2-2000, MURO H12-2-2400, MURO H12-2-A90SQ, MURO H12-2-A90X

MURO H12-1 SELF SERVE AIR SCREEN REFRIGERATION					
TECHNICAL FEATURES		MODELS			
		MURO H12-1-2000 (MUROH12791S)	MURO H12-1-2400 (MUROH12941S)	MURO H12-1-A90SQ (MUROH1290SQ1S)	MURO H12-1-A90X
External Dimensions (L-D-H) Inches-MM	Inches MM	*78 7/8" - 34 1/2" - 47 1/4" *2004 - 876 - 1201	*94 5/8" - 34 1/2" - 47 1/4" *2404 - 876 - 1201	*59 1/8" - 34 1/2" - 47 1/4" *1502 - 876 - 1201	*75 1/2" - 34 1/2" - 47 1/4" *1917 - 876 - 1201
Crated Dimensions (L-D-H) Inches-MM	Inches MM	84" - 41" - 54" 2133 - 1041 - 1371	101" - 41" - 54" 2565 - 1041 - 1371	66" - 41" - 54" 1676 - 1041 - 1371	84" - 84" - 54" 2134 - 2134 - 1371
Operating Temperature	°F	40°F	40°F	40°F	40°F
BTU's @ +14°F Evap Temperature	**BTU'S	**8200	**8900	**8200	**10500 @ +10°F
Electric Supply	(V/Ph/Hz)	208-220/1/60	208-220/1/60	208-220/1/60	208-220/1/60
Power Consumption	(W/A)	1750/8.8	2100/11.0	1750/8.8	2150/11.5
Climate Class	°F /H.R.	75°F-55%RH	75°F-55%RH	75°F-55%RH	75°F-55%RH
Refrigerant Gas	Type	R404A / R452A	R404A / R452A	R404A / R452A	R404A / R452A
Pipe Size (Inches)	Suction, Liquid	5/8" Suction, 5/16" Liquid	5/8" Suction, 5/16" Liquid	5/8" Suction, 5/16" Liquid	5/8" Suction, 5/16" Liquid
Net Weights	Lb	460	575	485	575
Crated Weights	Lb	540	655	565	655
*DIMENSIONS ARE WITH POLISHED S/S SIDES					
**ACTUAL BTU'S WILL VARY. YOU MUST RELY ON PRODUCTION DRAWINGS SUBMITTED PER EACH PROJECT.					

*Oscartek reserves the right to change, modify, discontinue, or change any features, sizes, or capacity on any model without prior notice.

OSCARTEK®
 512 South Airport Blvd., South San Francisco, CA 94080
 Tel: 650.342.2400 | Fax: 650.342.7400
 www.oscartek.com





Project Name: _____
 Item #: _____ Quantity: _____

MURO H12-1 & MURO H12-2

MURO H12-1 MODELS: MURO H12-1-1000, MURO H12-1-1200, MURO H12-1-1500, MURO H12-1-1800, MURO H12-1-2000, MURO H12-1-2400, MURO H12-1-A90SQ, MURO H12-1-A90X

MURO H12-2 MODELS: MURO H12-2-1000, MURO H12-2-1200, MURO H12-2-1500, MURO H12-2-1800, MURO H12-2-2000, MURO H12-2-2400, MURO H12-2-A90SQ, MURO H12-2-A90X

MURO H12-2 SELF SERVE AIR SCREEN REFRIGERATION					
TECHNICAL FEATURES		MODELS			
		MURO H12-2-1000 (MUROH12392S)	MURO H12-2-1200 (MUROH12472S)	MURO H12-2-1500 (MUROH12592S)	MURO H12-2-1800 (MUROH12712S)
External Dimensions (L-D-H) Inches-MM	Inches MM	* 39 1/2" - 34 1/2" - 53 3/16" *1003 - 876 - 1351	*47 3/8" - 34 1/2" - 53 3/16" *1203 - 876 - 1351	*59 3/16" - 34 1/2" - 53 3/16" *1503 - 876 - 1351	*71" - 34 1/2" - 53 3/16" *1803 - 876 - 1351
Crated Dimensions (L-D-H) Inches-MM	Inches MM	46" - 41" - 60" 1168 - 1041 - 1524	55" - 41" - 60" 1397 - 1041 - 1524	66" - 41" - 60" 1676 - 1041 - 1524	77" - 41" - 60" 1955 - 1041 - 1524
Operating Temperature	°F	40°F	40°F	40°F	40°F
BTU's @ +14°F Evap Temperature	**BTU'S	**5500	**6500	**7200	**8000
Electric Supply	(V/Ph/Hz)	208-220/1/60	208-220/1/60	208-220/1/60	208-220/1/60
Power Consumption	(W/A)	1450/7.5	1500/7.9	1600/8.0	1750/8.8
Climate Class	°F /H.R.	75°F-55%RH	75°F-55%RH	75°F-55%RH	75°F-55%RH
Refrigerant Gas	Type	R404A / R452A	R404A / R452A	R404A / R452A	R404A / R452A
Pipe Size (Inches)	Suction, Liquid	5/8" Suction, 5/16" Liquid	5/8" Suction, 5/16" Liquid	5/8" Suction, 5/16" Liquid	5/8" Suction, 5/16" Liquid
Net Weights	Lb	265	310	395	440
Crated Weights	Lb	345	390	475	520
*DIMENSIONS ARE WITH POLISHED S/S SIDES					
**ACTUAL BTU'S WILL VARY. YOU MUST RELY ON PRODUCTION DRAWINGS SUBMITTED PER EACH PROJECT.					

*Oscartek reserves the right to change, modify, discontinue, or change any features, sizes, or capacity on any model without prior notice.

OSCARTEK®
 512 South Airport Blvd., South San Francisco, CA 94080
 Tel: 650.342.2400 | Fax: 650.342.7400
 www.oscartek.com





Project Name: _____
 Item #: _____ Quantity: _____

MURO H12-1 & MURO H12-2

MURO H12-1 MODELS: MURO H12-1-1000, MURO H12-1-1200, MURO H12-1-1500, MURO H12-1-1800, MURO H12-1-2000, MURO H12-1-2400, MURO H12-1-A90SQ, MURO H12-1-A90X

MURO H12-2 MODELS: MURO H12-2-1000, MURO H12-2-1200, MURO H12-2-1500, MURO H12-2-1800, MURO H12-2-2000, MURO H12-2-2400, MURO H12-2-A90SQ, MURO H12-2-A90X

MURO H12-2 SELF SERVE AIR SCREEN REFRIGERATION					
TECHNICAL FEATURES		MODELS			
		MURO H12-2-2000 (MUROH12792S)	MURO H12-2-2400 (MUROH12942S)	MURO H12-2-A90SQ (MUROH1290SQ2S)	MURO H12-2-A90X
External Dimensions (L-D-H) Inches-MM	Inches MM	*78 7/8" - 34 1/2" - 53 3/16" *2004 - 876 - 1351	*94 5/8" - 34 1/2" - 53 3/16" *2404 - 876 - 1351	*59 1/8" - 34 1/2" - 53 3/16" *1502 - 876 - 1351	*75 1/2" - 34 1/2" - 53 3/16" *1917 - 876 - 1351
Crated Dimensions (L-D-H) Inches-MM	Inches MM	84" - 41" - 60" 2133 - 1041 - 1524	101" - 41" - 60" 2565 - 1041 - 1524	66" - 41" - 60" 1676 - 1041 - 1524	84" - 84" - 60" 2134 - 2134 - 1524
Operating Temperature	°F	40°F	40°F	40°F	40°F
BTU's @ +14°F Evap Temperature	**BTU'S	**9200	**10250	**9200	**12500 @ +10°F
Electric Supply	(V/Ph/Hz)	208-220/1/60	208-220/1/60	208-220/1/60	208-220/1/60
Power Consumption	(W/A)	1900/9.0	2200/11.5	1900/8.8	2300/12.8
Climate Class	°F /H.R.	75°F-55%RH	75°F-55%RH	75°F-55%RH	75°F-55%RH
Refrigerant Gas	Type	R404A / R452A	R404A / R452A	R404A / R452A	R404A / R452A
Pipe Size (Inches)	Suction, Liquid	5/8" Suction, 5/16" Liquid	5/8" Suction, 5/16" Liquid	5/8" Suction, 5/16" Liquid	5/8" Suction, 5/16" Liquid
Net Weights	Lb	485	595	485	595
Crated Weights	Lb	565	675	565	675
*DIMENSIONS ARE WITH POLISHED S/S SIDES					
**ACTUAL BTU'S WILL VARY. YOU MUST RELY ON PRODUCTION DRAWINGS SUBMITTED PER EACH PROJECT.					

*Oscartek reserves the right to change, modify, discontinue, or change any features, sizes, or capacity on any model without prior notice.

OSCARTEK®
 512 South Airport Blvd., South San Francisco, CA 94080
 Tel: 650.342.2400 | Fax: 650.342.7400
 www.oscartek.com

