

STORE: Webstaurant Pastry Case Options

LOCATION:

DWG. #

QUOTE. #



REVISION:	DATE	BY
A		
B		
C		
D		

CASEWORK: DPPT-30-40-M-31808

APPROVAL DATE:

APPROVAL BY:

DATE: 05.08.2023

SCALE: N/A

DRAWN BY: AA

SALES: Kelly McCombs

HUSSMANN[®]

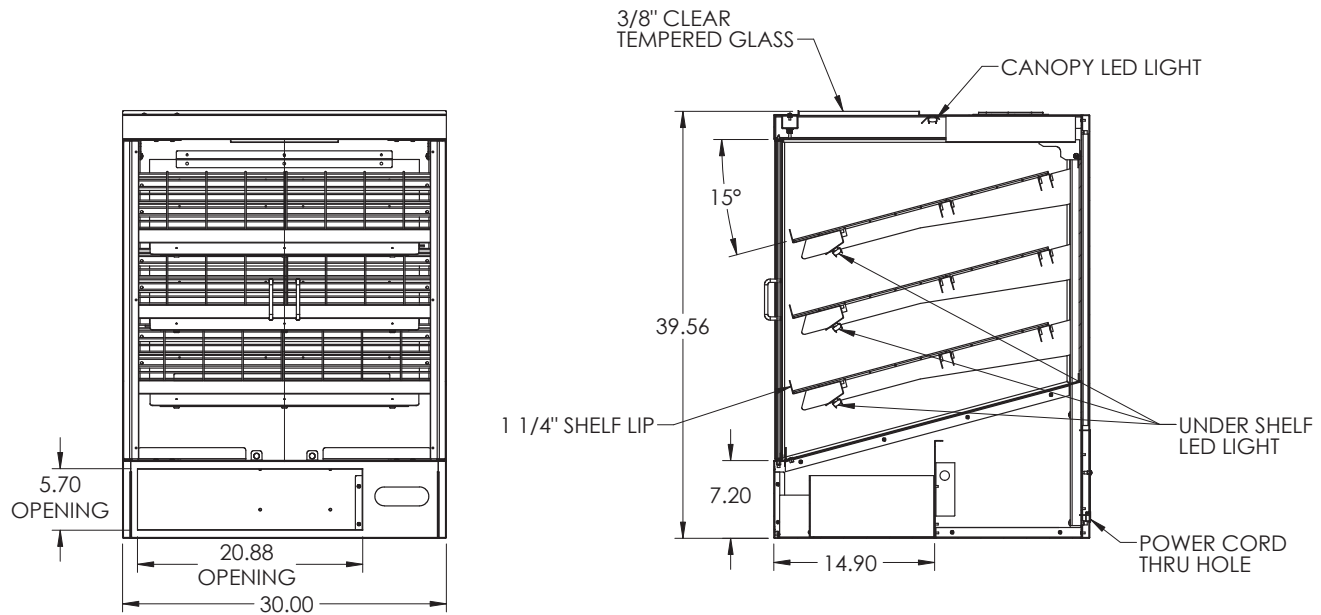
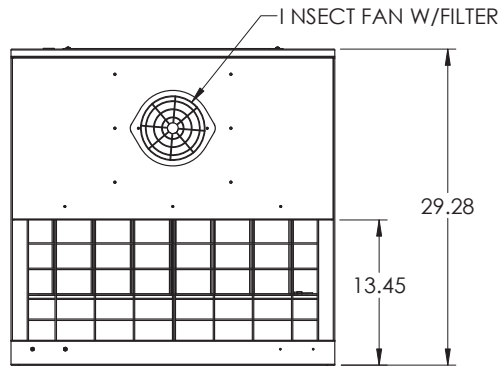
DESIGN SERVICES GROUP
MCFARLAND, WI 53558

STORE: Webstaurant Pastry Case Options

LOCATION:

DWG. #

QUOTE. #



REVISION:	DATE	BY
A		
B		
C		
D		

CASEWORK:	DPPT-30-40-M-31808
APPROVAL DATE:	
APPROVAL BY:	

DATE:	05.08.2023
SCALE:	N/A
DRAWN BY:	AA
SALES:	Kelly McCombs

HUSSMANN®

DESIGN SERVICES GROUP
MCFARLAND, WI 53558