



T&S BRASS AND BRONZE WORKS, INC.

2 Saddleback Cove / P.O. Box 1088
Travelers Rest, SC 29690

Model No.

B-5125-CR-B8TP

Item No.

Travelers Rest, SC: 800-476-4103 • Simi Valley, CA: 800-423-0150 • Fax: 864-834-3518 • www.tsbrass.com

This Space for Architect/Engineer Approval

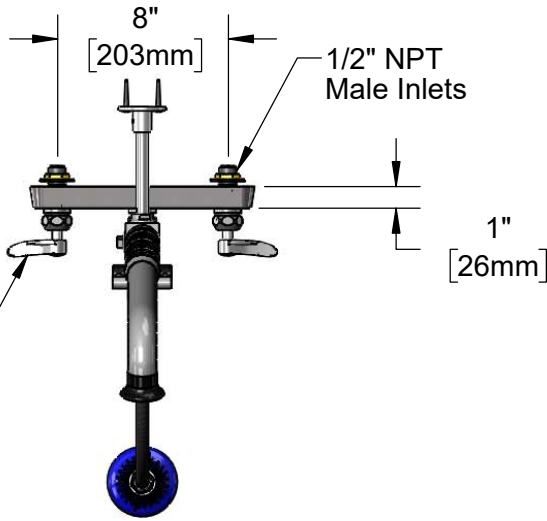
Job Name _____ Date _____

Model Specified _____ Quantity _____

Customer/Wholesaler _____

Contractor _____

Architect/Engineer _____



Quarter-Turn Cerama Cartridges w/ Check Valves & Lever Handles w/ Color Coded Indexes

30" Flexible Stainless Steel Hose w/ Spring, Air Cylinder, Swivel, & 1.07 GPM Sprayer

Items Not Shown For Clarity

3/8" NPT x 12" Riser

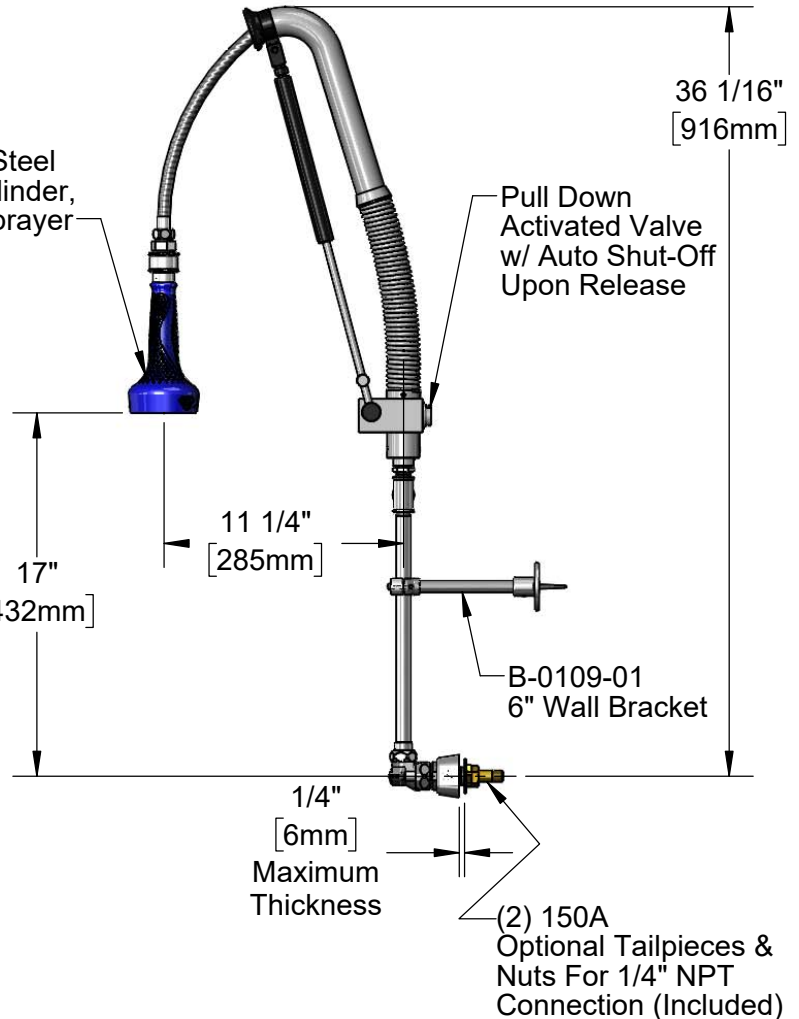
B-TEE-RGD Tee for Accessory Fittings

EasyInstall Lock Nut & Bushing

2" [51mm]

10 1/2" [267mm]

12 5/8" [321mm]



Pull Down Activated Valve w/ Auto Shut-Off Upon Release

B-0109-01 6" Wall Bracket

1/4" [6mm] Maximum Thickness

(2) 150A Optional Tailpieces & Nuts For 1/4" NPT Connection (Included)

Product Specifications:

EasyInstall Pull-Down Pre-Rinse Unit: 8" Wall Mount Workboard Faucet, Quarter-Turn Cerama Cartridges w/ Check Valves, Lever Handles, 12" Riser, 30" Flexible Stainless Steel Hose, 1.07 GPM Sprayer, Accessory Tee, 6" Wall Bracket & 1/2" NPT Male Inlets

Product Compliance:

ASME A112.18.1 / CSA B125.1
NSF 61 - Section 9
NSF 372 (Low Lead Content)
2019 DOE PRSV - Class II



T&S BRASS AND BRONZE WORKS, INC.

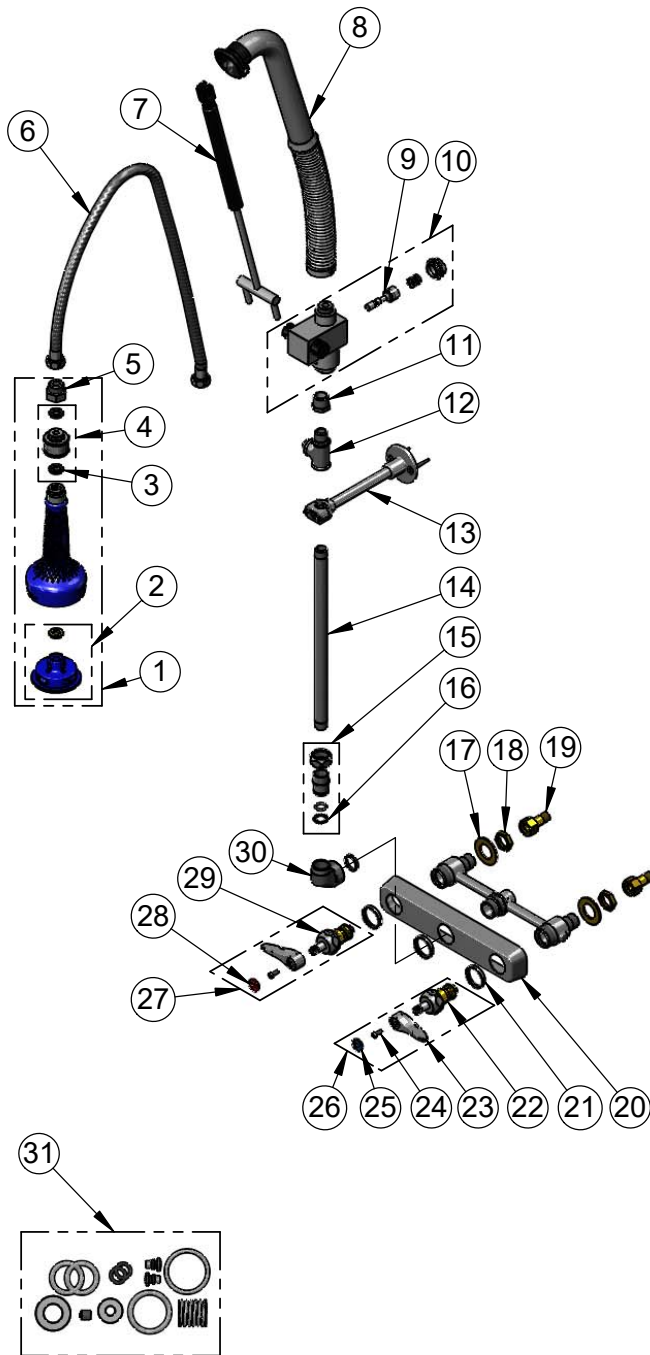
2 Saddleback Cove / P.O. Box 1088
Travelers Rest, SC 29690

Model No.

B-5125-CR-B8TP

Item No.

Travelers Rest, SC: 800-476-4103 • Simi Valley, CA: 800-423-0150 • Fax: 864-834-3518 • www.tsbrass.com



ITEM NO.	SALES NO.	DESCRIPTION
1	019898-40	1.07 GPM Sprayer w/ Swivel
2	108SF-RK	Spray Face Repair Kit
3	001014-45	Washer, B-0100 Hose Barrel
4	018200-40	3/8" NPT Live Swivel
5	005221-25	7/8"-20 x 1/2" BSPP Adapter
6	019901-45	30" Stainless Steel Braided Hose w/ 1/2" NPSM Threads
7	020062-45	Air Cylinder Repair Kit
8	020060-45	Spring & Tube Repair Kit
9	020061-45	Valve Stem Repair Kit
10	020063-45	Valve Body Repair Kit
11	001359-40	Hex Bushing, 1/2" NPT Male x 3/8" NPT Female
12	B-TEE-RGD	3/8" NPT Rigid Tee
13	B-0109-01	6" Wall Bracket
14	000366-40	3/8" NPT x 12" Riser
15	EZ-K	EasyInstall Kit: Nut, Bushing, O-ring & Lock Washer
16	014200-45	Star Washer, Anti-Rotation
17	000999-45	Brass Lock Washer
18	002954-45	Shank Lock Nut
19	150A	1/4" NPT Tailpiece & Nut
20	019611-40	8" c/c Brass Escutcheon
21	019376-40	Escutcheon Lock Nut
22	012394-25NS	Quarter-Turn Cerama Cartridge, RTC w/ Check Valve
23	001638-45NS	Lever Handle (New Style)
24	000925-45	Lab Handle Screw
25	018506-19NS	Blue Button Index, Press-in
26	019641-25	Quarter-Turn Cerama Cartridge, RTC w/ Check Valve, Lever Handle, Index & Screw
27	019640-25	Quarter-Turn Cerama Cartridge, LTC w/ Check Valve, Lever Handle, Index & Screw
28	001193-19NS	Red Button Index, Press-in
29	012395-25NS	Quarter-Turn Cerama Cartridge, LTC w/ Check Valve
30	014200-45	B-1100 Knob
30	020064-45	PRU Control Valve Seal Repair Kit

Product Specifications:

EasyInstall Pull-Down Pre-Rinse Unit: 8" Wall Mount Workboard Faucet, Quarter-Turn Cerama Cartridges w/ Check Valves, Lever Handles, 12" Riser, 30" Flexible Stainless Steel Hose, 1.07 GPM Sprayer, Accessory Tee, 6" Wall Bracket & 1/2" NPT Male Inlets

Product Compliance:

ASME A112.18.1 / CSA B125.1
NSF 61 - Section 9
NSF 372 (Low Lead Content)
2019 DOE PRSV - Class II