

# Fusion

GHSS 56"H Heated Self-Service Case

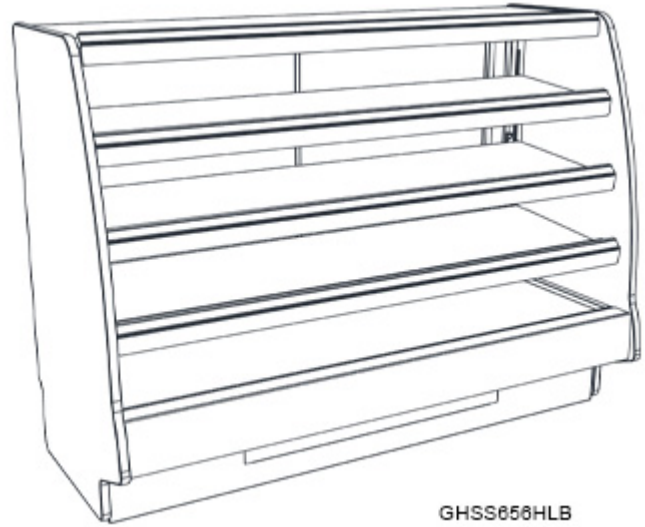
Structural Concepts®

(Lengths do not include 1-1/8" end panels)

- **GHSS456HLB** 48-3/4"L x 30-1/8"D x 55-3/8"H
- **GHSS656HLB** 73-1/8"L x 30-1/8"D x 55-3/8"H
- **GHSS856HLB** 97-1/2"L x 30-1/8"D x 55-3/8"H

## Included

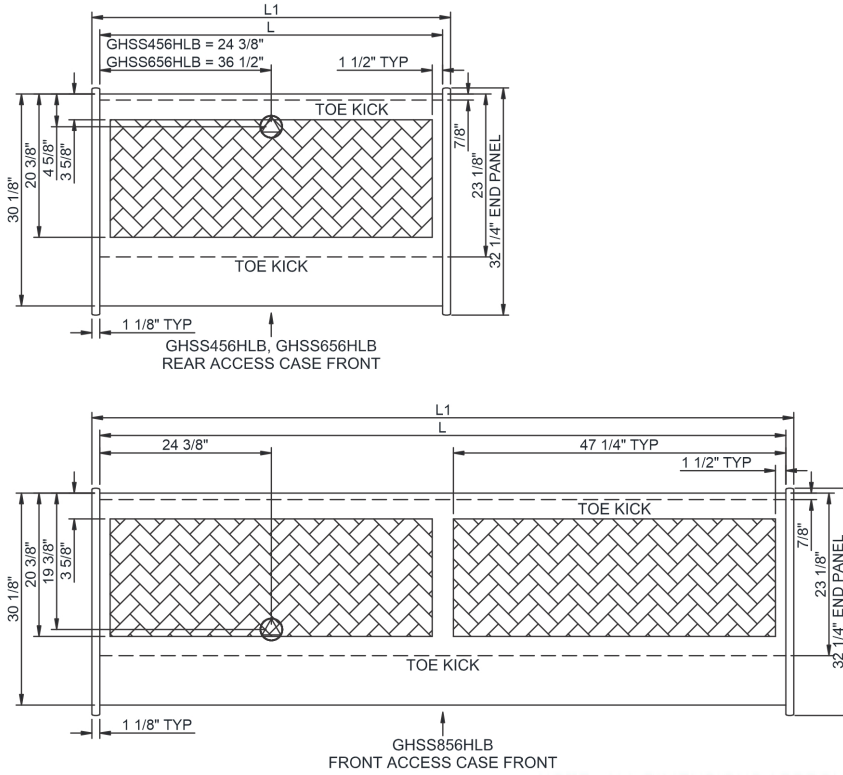
- Heated deck and shelving
- LED top & shelf lights
- One year parts & labor warranty
- Stainless steel rear exterior



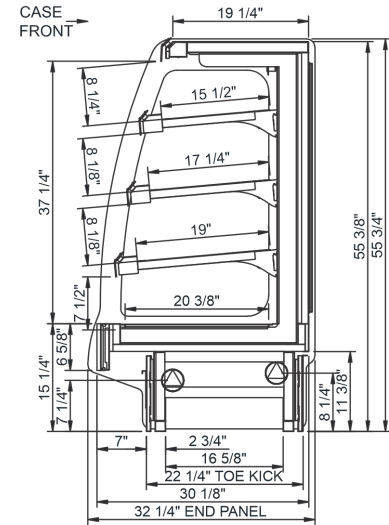
Specify	Standard Features	Additional Options
<b>EXTERIOR COLOR</b>	• Powder coated (stock colors, specify RAL#)	• Laminated (non-premium) Confirm pattern/grain direction • Stainless steel
<b>INTERIOR COLOR</b>	• Stainless steel	
<b>LOWER FRONT PANEL COLOR</b>	• Black powder coated	• Stainless steel
<b>TRIM COLOR</b>	• Black	• Silver
<b>BASE</b>	• Rail system for shims	
<b>BUMPER FRONT</b>	• 1" Boston bumper (specify color)	• 1" Stainless steel plate rail bumper
<b>END PANELS</b>	• Full w/stainless steel interior (LH / RH)	• Cutaway w/ glass (LH / RH) • End bumper (LH / RH)
<b>UPPER REAR</b>	• Solid back panel	• Reflective glass rear sliding doors
<b>PRICE TAG MOLDING</b>	• None	• Acrylic product stops w/sign channel
<b>SHELVING</b>	• Solid heated shelves, 3 levels	
<b>LIGHTS</b>	• LED 3500K w/ frosted lens	• LED 4000K w/ frosted lens
<b>ELECTRICAL CONNECT</b>	• Electrical leads (remote)	

<b>Intended Environment:</b> Type I - Designed to operate in ambient conditions of 75°F with 55% relative humidity unless noted otherwise in system information below.		
<b>Zone</b>	<b>Intended Product To Be Displayed</b>	<b>Warmest Avg Prod Temp ° F</b>
1	Packaged heated product	160

**PLAN VIEW**



**SIDE VIEW**



**NOTE: ALL DIMENSIONS APPROXIMATE**

- ELECTRICAL JUNCTION BOX**  
(SUPPLIED WITH 6" LEADS OR POWER CORD).
- REFRIGERATION LINE CONNECTION.**
- SELF-CONTAINED CASE SERVICE ACCESS AREA.**
- LOCATION OF DRAIN TUBE FOR REMOTE REF.**  
ONLY (SUPPLIED WITH 3/4" OR 1 1/2" PVC TUBE).
- REMOTE FLOOR SINK & UTILITIES**  
**ACCESS AREA.**
- DRY CASE SERVICE ACCESS AREA.**

Model Technical Specifications																
Model	L"	L1"	L2"	System Circuit Volts		Phs	Freq	Amps ***	Watts	Wires	NEMA Plug	SST	Conv. Rack RTUH	Para. Rack RTUH	Est Wt	
GHSS456HLB	48.75	51.00	.00	Heat (N/A)	Circuit #1	208	1	50-60	22.29	4,655	2+G	Leads Single	N/A	N/A	N/A	N/A
									25.65	6,166	2+G	Leads Single	N/A	N/A	N/A	
									17.13	4,655	3+G	Leads Single	N/A	N/A	N/A	
									19.70	6,166	3+G	Leads Single	N/A	N/A	N/A	
GHSS656HLB	73.13	75.38	.00	Heat (N/A)	Circuit #1	208	1	50-60	31.68	6,742	2+G	Leads Single	N/A	N/A	N/A	N/A
									36.40	8,874	2+G	Leads Single	N/A	N/A	N/A	
									23.94	6,742	3+G	Leads Single	N/A	N/A	N/A	
									27.48	8,874	3+G	Leads Single	N/A	N/A	N/A	
GHSS856HLB	97.50	99.75	.00	Heat (N/A)	Circuit #2	208	1	50-60	22.29	4,655	2+G	Leads Single	N/A	N/A	N/A	N/A
									25.65	6,166	2+G	Leads Single	N/A	N/A	N/A	
									17.13	4,655	3+G	Leads Single	N/A	N/A	N/A	
									19.70	6,166	3+G	Leads Single	N/A	N/A	N/A	
				Heat (N/A)	Circuit #1	208	1	50-60	22.29	4,583	2+G	Leads Single	N/A	N/A	N/A	N/A
									25.65	6,094	2+G	Leads Single	N/A	N/A	N/A	
									17.13	4,583	3+G	Leads Single	N/A	N/A	N/A	
									19.70	6,094	3+G	Leads Single	N/A	N/A	N/A	

\*\*\* Does not include electric defrost on freezer models.

**Regulatory Approvals:**

All Models ETL Listed to UL 197  
ETL Listed to CAN/CSA 22.2 No. 109  
ETL Sanitation to NSF/ANSI 4



**Important Notes:**

- 1) ELECTRICAL NOTE: If GFCI is required, a GFCI breaker MUST be used in lieu of a GFCI receptacle.
- 2) 33" minimum door entry clearance required (without shipping skid).
- 3) Units must be shimmed during installation to ensure the unit is level and plumb.

**⚠ WARNING:** This product can expose you to chemicals, including Urethane (Ethyl Carbamate), which are known to the State of California to cause cancer and birth defects or other reproductive harm. For more information go to [www.P65Warnings.ca.gov](http://www.P65Warnings.ca.gov).