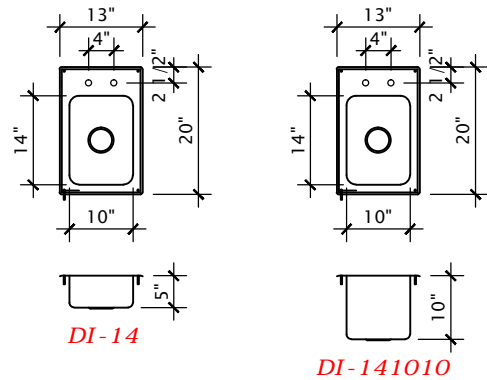
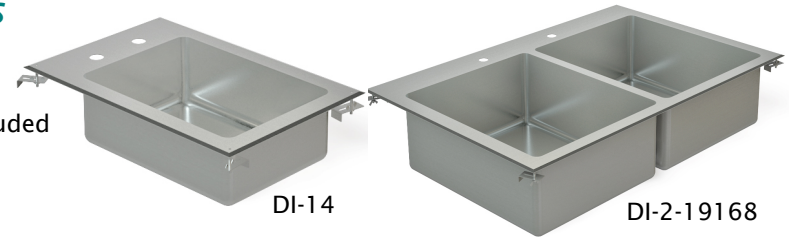


Item No: \_\_\_\_\_  
 Model No: \_\_\_\_\_  
 Qty: \_\_\_\_\_  
 Project: \_\_\_\_\_

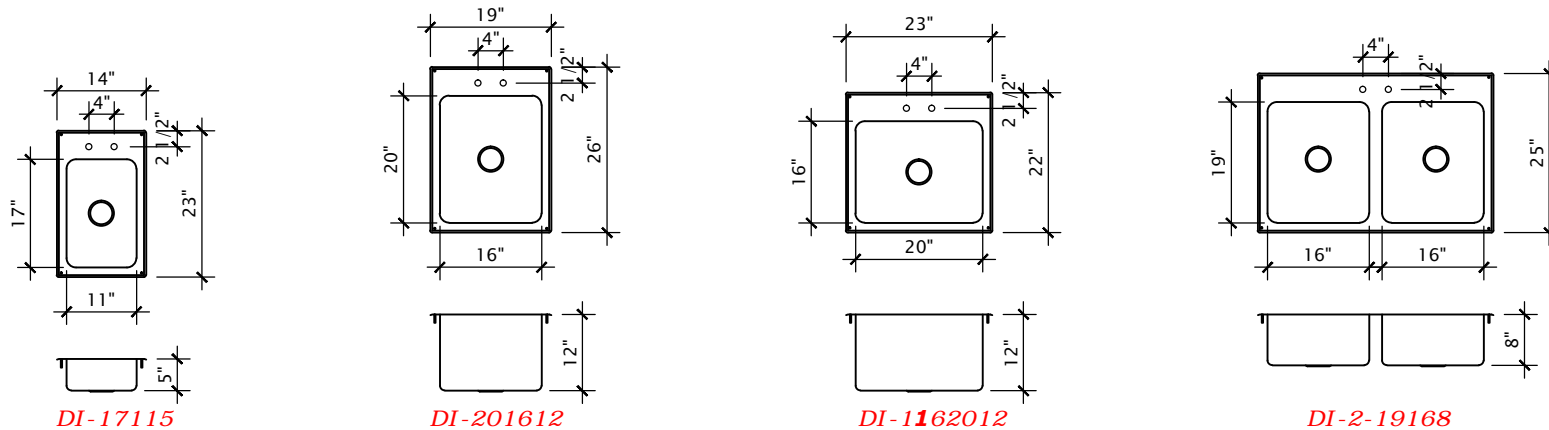
## Drop In Coved Corner Sinks

- Heavy duty stainless steel construction
- Faucet holes on 4" centres
- 3.5" centre drain hole, drain basket included



Model No.	Description	Bowl Size D x L x H	Overall Size D x L x H	Weight lbs.
DI-14	Drop In Sink	14" x 10" x 5"	20" x 13" x 5"	10
DI-141010	Drop In Sink	14" x 10" x 10"	20" x 13" x 5"	12
DI-1162012	Drop In Sink	16" x 20" x 12"	22" x 23" x 12"	17
DI-201612	Drop In Sink	20" x 16" x 12"	26" x 19" x 12"	20
DI-17115	Drop In Sink	17" x 11" x 5"	21" x 13" x 5"	15
DI-2-19168	Two Compartment Drop In Sink	19" x 16" x 8"	24" x 36.5" x 8"	30

Sizes nominal, detailed specifications available upon request. Specifications subject to change without notice.



C US  
U.P. Code

ASME A112.19.3/CSA B45.4



Corporate Head Office  
 2780 Coventry Road,  
 Oakville, Ontario, L6H 6R1  
 Phone: 905-825-9665  
 Fax: 905-825-0965  
 info@tarrison.com  
 www.tarrison.com

US Distribution Center  
 150 Gratiot Blvd,  
 Marysville, MI 48040  
 info@tarrison.com  
 www.tarrison.com