

TOTALLY QUIET (TQ) COMPACT CARTS DOUBLE DOOR TRAY DELIVERY CARTS WITH TWO TRAYS PER SLIDE

Compliant with
NSF/ANSI Standard 2

Item Numbers

DXPTQC2T2D20
DXPTQC2T2D24
DXPTQC2T2D28
DXPTQC2T2D32
DXPTQC2T2D36

Pass Thru Model

DXPTQC2T2DPT20
DXPTQC2T2DPT24
DXPTQC2T2DPT28
DXPTQC2T2DPT32
DXPTQC2T2DPT36



DXPTQC2T2D24

Application

TQ Compact Carts offer you a cart that has a notable sound dampening construction where quiet is a needed commodity.

This equipment is intended for "Industrial Use Only"

Construction

TQ Compact Cart double door tray delivery cart with an all stainless steel modular construction. The cart has (standard) 4-3/4" tray height spacing (additional tray spacings are available – consult factory for availability) with 2 trays per shelf for a total of a 24, 28, 32 and or 36 tray capacity. Comes with heat release vented side panels and standard corner bumpers. The cart has gravity locking doors with noise suppression door bumpers and gravity locking (open) door with door stop for noise reduction. The cart comes with an interchangeable rack system with adjustable sizing to accommodate for different tray sizes. The racks also have

noise reduction gravity locking brackets with a press lever release mechanism. The side panels of the cart have a noise reduction channel to prevent vibration while the cart is in motion.

Casters

The cart comes with 6" Performa casters with noise suppression bearing covers, high temperature wash resistant noise dampening bearing grease, and caster isolation pads (2 rigid, 2 swivel with Tech lock brakes).

Standard Features

- 6" Performa casters with noise suppression bearing covers (2 rigid, 2 swivel with Tech lock brakes)
- Corner Bumpers
- Vertical Push Handles
- Gravity Locking Doors with Door Stop
- Full Length Door Handles
- 4-3/4" tray height spacing

Compatible Tray Sizes

- 12" x 19"
- 12" x 20"
- 14" x 18"
- 15" x 20"
- DXRST152003

Warranty

One year parts and labor.

*We do not accept returns on any Dinex equipment or Dinex custom products.
Please contact your local Dinex rep to ensure order accuracy prior to ordering.*

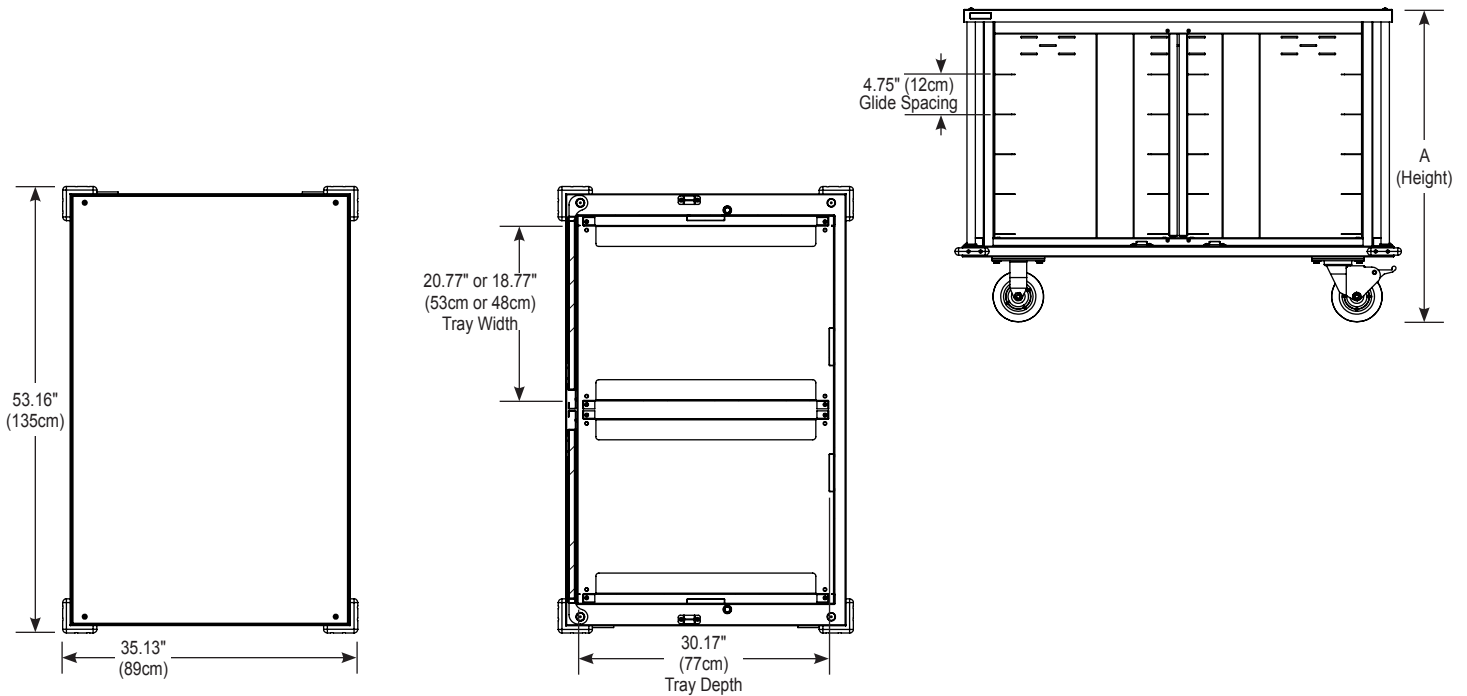
DINEX®

4711 E. Hefner Road
Oklahoma City, OK 73131
800.654.8210 | 405.475.5600
www.dinex.com

Rev 09/20

TOTALLY QUIET (TQ) COMPACT CARTS

DOUBLE DOOR TRAY DELIVERY CARTS WITH TWO TRAYS PER SLIDE



Items and Dimensions

ITEM NUMBER	WIDTH*	DEPTH*	HEIGHT (A)	CASTERS		TRAY SPACING	TRAY CAPACITY	CART WEIGHT	SHIP WEIGHT
				TYPE	DIAMETER				
DXPTQC2T2D20 DXPTQC2T2DPT20	53.16" (135cm)	35.13" (89cm)	37.17" (94cm)	2 rigid, 2 swivel w/ Tech lock brakes	6" (15cm)	4.75" (12cm)	20	235 lbs (107kg)	451 lbs (205kg)
DXPTQC2T2D24 DXPTQC2T2DPT24	53.16" (135cm)	35.13" (89cm)	41.92" (106cm)	2 rigid, 2 swivel w/ Tech lock brakes	6" (15cm)	4.75" (12cm)	24	265 lbs (120kg)	487 lbs (221kg)
DXPTQC2T2D28 DXPTQC2T2DPT28	53.16" (135cm)	35.13" (89cm)	46.67" (119cm)	2 rigid, 2 swivel w/ Tech lock brakes	6" (15cm)	4.75" (12cm)	28	295 lbs (134kg)	487 lbs (221kg)
DXPTQC2T2D32 DXPTQC2T2DPT32	53.16" (135cm)	35.13" (89cm)	51.42" (131cm)	2 rigid, 2 swivel w/ Tech lock brakes	6" (15cm)	4.75" (12cm)	32	325 lbs (147kg)	523 lbs (237kg)
DXPTQC2T2D36 DXPTQC2T2DPT36	53.16" (135cm)	35.13" (89cm)	56.17" (143cm)	2 rigid, 2 swivel w/ Tech lock brakes	6" (15cm)	4.75" (12cm)	36	355 lbs (161kg)	523 lbs (237kg)

* Wrap around bumper option adds 2" (5cm) to the overall length and depth

All carts are designed for the following tray sizes:

12" x 19", 12" x 20", 14" x 18", 15" x 20", DXRST152003

Standard Options Available

- 3 & 4 Sided Top Rails
- Menu Holder
- Floor Drain
- Wrap Around Bumpers*
- Wall Saver Bumpers
- Tow Hitch
- 5 Caster configuration
- 6 Caster configuration
- Contact your Sales Representative for more information on the available standard options

Please confirm that you have the most current specification sheet by visiting www.dinex.com.

It is Dinex's policy to offer equipment which is design certified by companies that have been accredited at the federal level by the Occupational Safety and Health Agency (OSHA) and ANSI as a national recognized testing laboratory. These companies include CSA International, Underwriters Laboratories, Edison Testing Laboratories and National Sanitation Foundation. However, a continuing program of product improvement makes it necessary to submit new models to the agencies as they are developed. Consequently, all models may not bear the appropriate labels at all times.

Dinex reserves the right to change specifications and product design without notice. Such revisions do not entitle the buyer to corresponding changes, improvements, additions or replacements for previously purchased equipment.

