



Electrolux

Vegetable Slicer Cutter Slicer - 5.5 QT - Variable Speed

ITEM # _____

MODEL # _____

NAME # _____

SIS # _____

AIA # _____



600519 (K55YVVU)

Vertical Cutter/Mixer, bench-style, variable speed (300-3700 RPM). Supplied with 5.8 quart removable stainless steel bowl with clear BPA-free lid, equipped with scraper. Microtooth blade rotor and metal motor housing, 1-1/3HP, NEMA 5-20P

Short Form Specification

Item No. _____

Vertical Cutter/Mixer, bench-style, variable speed (300-3700 RPM). Supplied with 5.8 quart removable stainless steel bowl with clear BPA-free lid, equipped with scraper. Microtooth blade rotor and metal motor housing, 1-1/3HP, NEMA 5-20P

Main Features

- Delivered with: 5.8qt (5,5lt) stainless steel cutter bowl, transparent lid, scraper and microtoothed blade rotor.
- Capacity: cutter mixer working capacity from 3.5 ounces (100g) to 5.5lbs (2.5kg), for 50-100 meals per service.
- Automatic speed limitation according to the selected function (slicer or cutter).
- Emulsifier function (scraper) included as standard.
- All parts in contact with food are removable without the use of tools, completely dismountable and dishwasher safe.
- Pulse function to coarse chopping.
- Base fixed cover for a better handling.

Construction

- All blades (available on request) are made in stainless steel and dishwasher safe.
- Power: TRK55 - 1.3 HP.
- Food processing at 10 variable speeds: 300-3700 rpm.
- Stainless steel bowl has a high chimney to ensure high productivity also when processing liquids (75% of the nominal capacity).
- IPX5 (IP55) flat panel touch-control, waterproof panel.
- Compact and portable design.
- Asynchronous industrial motor with no brushes for high reliability and quiet functioning, stainless steel motor shaft.
- Metal motor housing.
- Improved ventilation system to manage smoothly heavy duty use.
- Reinforced feet to withstand the continuous movements of the unit.



APPROVAL: _____

Electrolux Professional, Inc.

www.electroluxusa.com/professional

10200 David Taylor Drive, Charlotte, NC 28262 • Telephone Number: 866-449-4200 • Fax Number: 704-547-7401



Electrolux

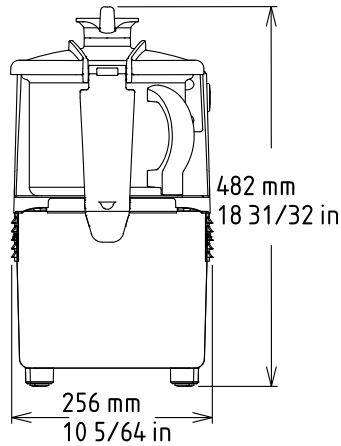
Vegetable Slicer
Cutter Slicer - 5.5 QT - Variable Speed



Electrolux

Vegetable Slicer Cutter Slicer - 5.5 QT - Variable Speed

Front



Electric

Supply voltage:

600519 (K55YVVU)

110-120 V/1N ph/60 Hz

Total Watts:

1.3 kW

Plug type:

USA NEMA 5-15P

Key Information:

External dimensions, Width: 10 1/16" (256 mm)

External dimensions, Depth: 16 5/16" (415 mm)

External dimensions, Height: 19" (482 mm)

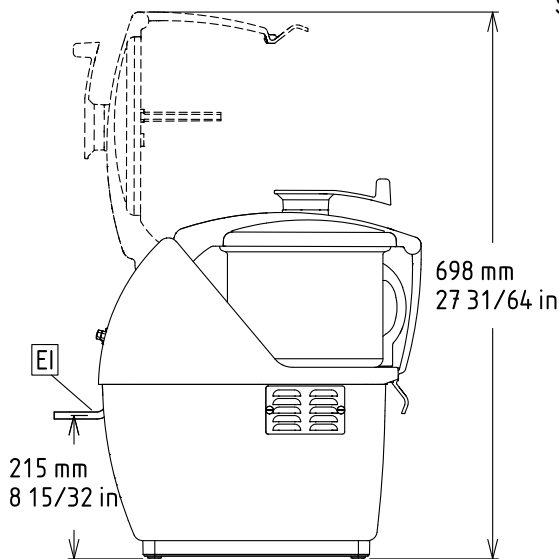
Shipping width: 11 13/16" (300 mm)

Shipping depth: 23 5/8" (600 mm)

Shipping height: 21 5/8" (550 mm)

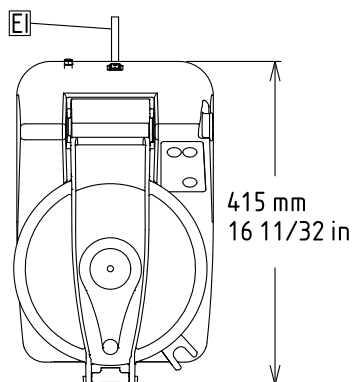
Shipping weight: 51 lbs (23 kg)

Side



EI = Electrical connection

Top





Electrolux

**Vegetable Slicer
Cutter Slicer - 5.5 QT - Variable
Speed**

**Vegetable Slicer
Cutter Slicer - 5.5 QT - Variable Speed**

The company reserves the right to make modifications to the products
without prior notice. All information correct at time of printing.

2018.09.14