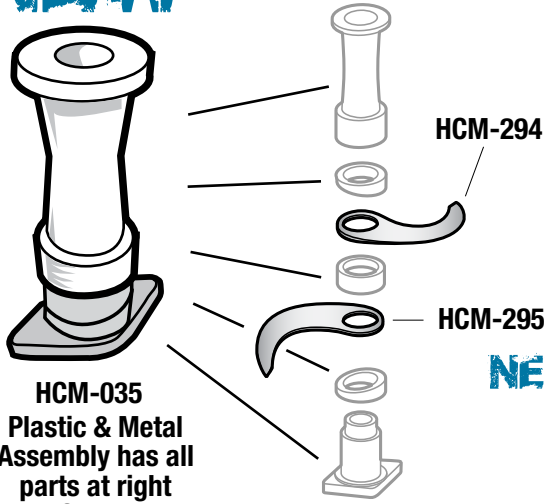
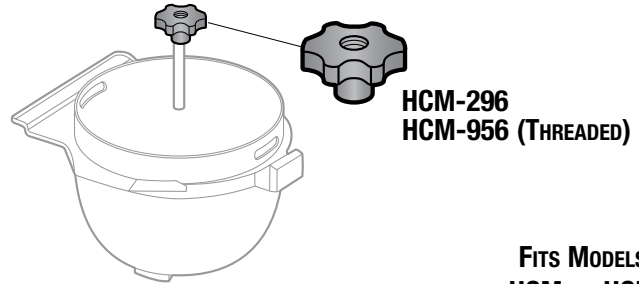


**NEW**

# PARTS FOR HOBART CUTTER MIXERS



**HCM-035**  
Plastic & Metal  
Assembly has all  
parts at right  
EXCEPT the  
Blades

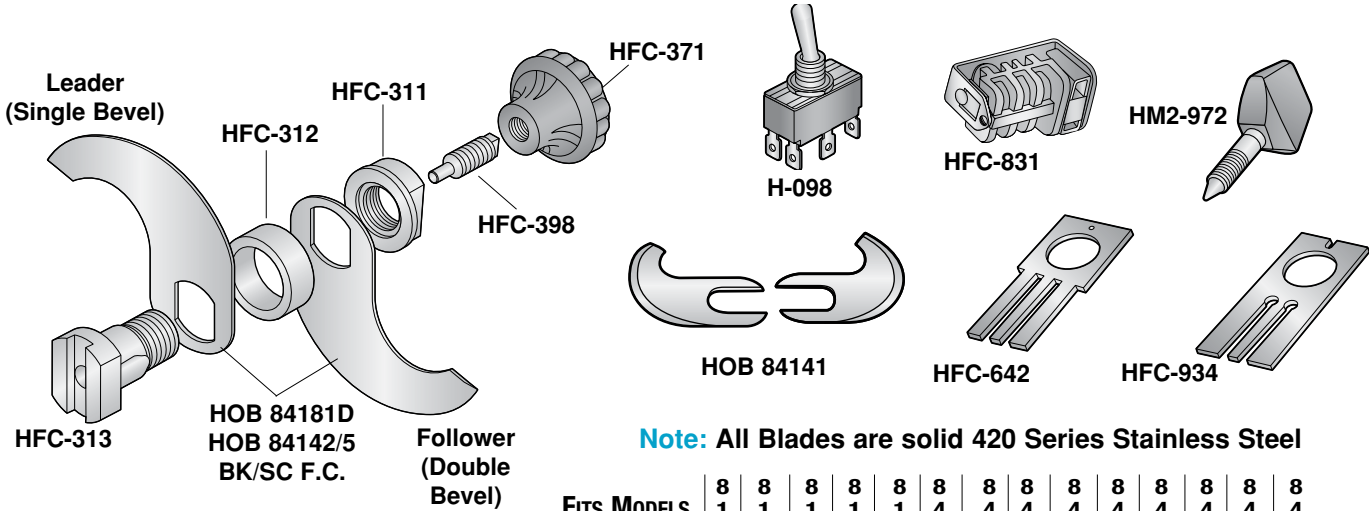


**HCM-296**  
**HCM-956 (THREADED)**

**NEW**

ALFA #	HOBART#	DESCRIPTION	FITS MODELS	
			HCM 300	HCM 450
HCM-035	292085	CutterMixer Shaft Assy	X	X
HCM-294	274661	Stainless Steel Knife (each)	X	
HCM-295	274662	Stainless Steel Knife (each)		X
HCM-296	122296	Top Knob (Non-Threaded)	X	X
HCM-956	122296	Top Knob (Threaded)	X	X

# PARTS FOR HOBART FOOD CUTTERS



**Note: All Blades are solid 420 Series Stainless Steel**

ALFA #	HOBART #	DESCRIPTION	FITS MODELS															
			84	85	86	87	88	89	90	91	92	93	94	95	96	97		
HFC-311	71311	Locking Collar - Threaded	X	X	X	X	X	X	X	X	X	X	X	X	X	X	X	X
HFC-312	71312	Bushing-Knife Retaining	X	X	X	X	X	X	X	X	X	X	X	X	X	X	X	X
HFC-313	71313	Bushing-Knife Retaining	X	X	X	X	X	X	X	X	X	X	X	X	X	X	X	X
HFC-371	77371	Knob-Fluted	X	X	X	X	X	X	X	X	X	X	X	X	X	X	X	X
HFC-398	78398	Insert for Knife Shaft	X			X											X	
H-098	877711-1481	Toggle Switch	X			X	X	X	X	X							X	X
HFC-642	116642	Stainless Steel Comb-Fits 14" Bowl only	X								X							
HFC-831	87711-83-1	Drum Switch			X							X	X					
HFC-934	123934	Stainless Steel Comb-Fits 18" Bowl only			X	X	X							X	X			X
HM2-972	108197-2/291702	Power Hub Thumb Screw (1-1/2" Shaft)																
HOB 84141	17908/17909	Set of 2 Open End Stainless Steel Knives (14" Bowl)	X							X								
HOB 84142/5	71309/71310	Set of 2 Closed End Stainless Steel Knives (14" Bowl)		X							X	X						
HOB 84181D	77372/77373	Set of 2 Closed End Stainless Steel Knives (18" Bowl)			X	X	X							X			X	

**ALSO AVAILABLE FOR BERKEL AND SCHARFEN FOOD CUTTERS**

BK/SC F.C. CU-0036 / CU-0038 Set of 2 Closed End Stainless Steel Knives Berkel 1810 / 1850 (18" Bowl)

The above parts are sold by Alfa International as replacement parts for Hobart and Berkel. Alfa is not affiliated with Hobart or Berkel.