



PANINI XL

CONCEPT

ELECTRIC 14" SQUARE PANINI PRESSES

*When bigger is better ...
PANINI XL is the choice*

- Fine grain cast iron grooved, smooth and mixed plates
- 14"x14" work surface with even heat distribution
- Rapid grilling with powerful heating elements
- Unique 2 in 1 cooking solution
 - *Selector switch for panini press or bottom plate only operations
- Thermostatically controlled up to 570°F
- Adjustable spring counter balanced top
- Detachable 2-position front drip tray and scraper
- Removable stainless steel side utensil shelves
- Heavy duty stainless steel base for lasting service
- 4" high adjustable legs included

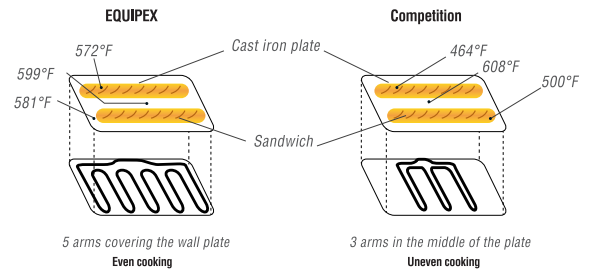


208/240 V

120 V

OPTIONS:

- * manual 5 minute timer
- * electronic timer with 3 programmable settings



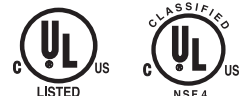
Electronic timer (optional)



Grooved top and bottom plates (shown)

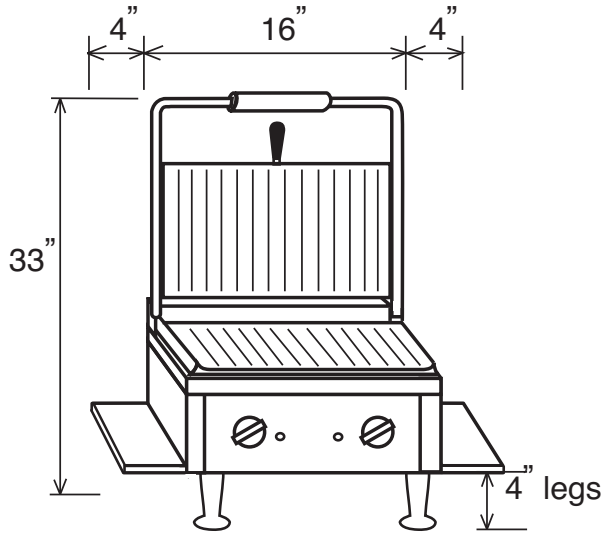


100 NIANTIC AVENUE; SUITE 104 PROVIDENCE, RI 02907
 TEL: (401)273-3300 FAX: (401)273-3328 E-mail: sales@equipex.com
 www.equipex.com



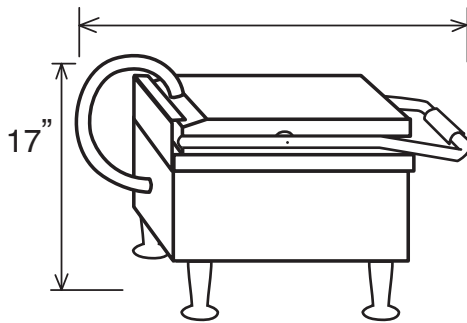


ELECTRIC PANINI XL PRESSES

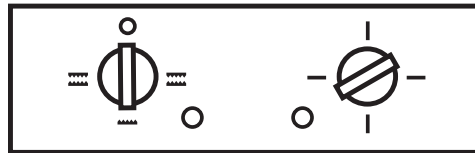


Utensil shelves shown

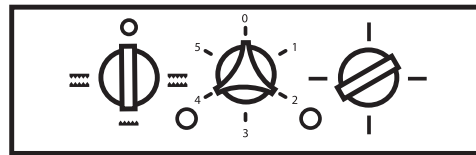
25"



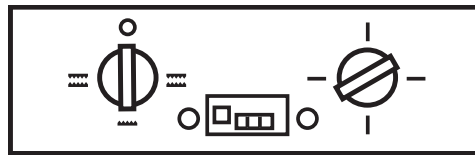
CONTROL PANEL:



Standard: Mode selector switch, regulating thermostat, green and red pilot lights



Optional manual 5 minute timer added



Optional electronic timer added (3 independent settings with 1-99 minute range)

SPECIFICATIONS

INSTALLATION CLEARANCE: MINIMUM OF 4" TO COMBUSTIBLE SURFACES FROM BODY (ZERO CLEARANCE FROM UTENSIL SHELVES)

| MODEL | ELECTRICAL | DIMENSIONS | WORK SURFACE | SHIPPING WEIGHT | NEMA PLUG |
|-------------|------------------------------------|--|--------------|-----------------|-----------|
| PANINI XL | 208/240V, 1PH 3.6KW, 13/15 Amps | 24"Wx25"Dx33"H (including 4" legs) (including (2) 4" side utensil shelves) | 14"Wx14"D | 135 lbs | 6-20 P |
| PANINI XL/1 | 120V, 1.75KW 15 Amps | | | | 5-15 P |

WARRANTY: Limited one year parts and labor



100 NIANTIC AVENUE; SUITE 104 PROVIDENCE, RI 02907
 TEL: (401)273-3300 FAX: (401)273-3328 E-mail: sales@equipex.com
 www.equipex.com

