



HOSHIZAKI

Parts List

Steelheart Series Refrigerated Kitchen Equipment

Models

Undercounter, Worktop, Prep Table

UR27A, WR27A, SR27A, UF27A, WF27A, UR36A,
WR36A, SR36A, UR48A, WR48A, SR48A, UF48A,
WF48A, UR60A, WR60A, SR60A, UF60A, WF60A,
UR72A, WR72A, SR72A



hoshizakiamerica.com

Number: 71387
Issued: 10-25-2018
Revised: 3-6-2020

CONTENTS

| | |
|--|----|
| Auxiliary Codes..... | 3 |
| Model Codes | 11 |
| A. Main Assembly | 12 |
| UR27, WR27, SR27, UF27, and WF27 Undercounter, Worktop, and Prep Table..... | 12 |
| UR36, WR36, and SR36 Undercounter, Worktop, and Prep Table | 15 |
| UR48, WR48, SR48, UF48, and WF48 Undercounter, Worktop, and Prep Table | 17 |
| UR60, WR60, SR60, UF60, and WF60 Undercounter, Worktop, and Prep Table | 20 |
| UR72, WR72, and SR72 Undercounter, Worktop, and Prep Table | 24 |
| B. Refrigeration Circuit..... | 28 |
| UR27, WR27, and SR27 Undercounter, Worktop, and Prep Table | 28 |
| UF27 and WF27 Undercounter and Worktop | 30 |
| UR36, WR36, and SR36 Undercounter, Worktop, and Prep Table | 32 |
| UR48, WR48, and SR48 Undercounter, Worktop, and Prep Table | 34 |
| UF48 and WF48 Undercounter and Worktop | 36 |
| UR60, WR60, and SR60 Undercounter, Worktop, and Prep Table | 38 |
| UF60 and WF60 Undercounter and Worktop | 40 |
| UR72, WR72, and SR72 Undercounter, Worktop, Prep Table | 42 |
| C. Door-Right Hinged..... | 44 |
| D. Door-Left Hinged | 46 |
| E. Door-Right Glass Door Hinged..... | 48 |
| F. Door-Left Glass Door Hinged | 49 |
| G. Drawer..... | 50 |
| H. Accessories & Labels | 52 |

Auxiliary Codes

UR27A

H-5 October 2018
J-5 January 2019
J-6 June 2019
J-7 July 2019
K-5 January 2020

UR27A-GLP01

H-5 May 2018
J-5 April 2019
J-6 June 2019
J-7 July 2019
K-5 February 2020

UR27A-01

H-5 October 2018
J-5 January 2019
J-7 July 2019
K-5 January 2020

UR27A-LP

H-5 February 2018
J-5 January 2019
J-6 June 2019
J-7 July 2019
K-5 January 2020

UR27A-LPC

H-5 October 2018
J-5 January 2019
J-6 June 2019
J-7 July 2019
K-5 January 2020

UR27A-LPW

J-5 April 2019
J-6 June 2019
J-7 July 2019
K-5 January 2020

UR27A-D2

G-5 November 2017
H-5 October 2018
J-5 January 2019
J-6 June 2019
J-7 July 2019
K-5 January 2020

WR27A

H-5 October 2018
J-5 January 2019
J-6 June 2019
J-7 July 2019

WR27A-01

J-5 January 2019
K-5 February 2020

WR27A-D2

H-5 November 2018
J-5 January 2019
J-7 July 2019
K-5 January 2020

SR27A-8

H-5 October 2018
H-6 November 2018
J-5 January 2019
J-6 June 2019
J-7 July 2019
K-5 January 2020

SR27A-8D2

H-5 October 2018
H-6 November 2018
J-5 January 2019
J-6 June 2019
J-7 August 2019

SR27A-12M

H-5 October 2018
H-6 November 2018
J-5 January 2019
J-6 June 2019
J-7 July 2019
K-5 February 2020

SR27A-12MD2

H-5 March 2018
H-6 November 2018
J-5 September 2019
K-5 February 2020

UF27A

G-5 July 2017
H-5 October 2018
J-5 January 2019
J-6 June 2019
J-7 July 2019
K-5 January 2020

UF27A-GLP01

H-5 May 2018
J-5 January 2019
J-6 June 2019
J-7 August 2019
K-5 January 2020

UF27A-01

J-5 February 2019
J-6 June 2019
J-7 July 2019
K-5 January 2020

UF27A-LP

G-5 December 2017
H-5 October 2018
J-5 February 2019
J-6 June 2019
J-7 July 2019
K-5 February 2020

UF27A-D2

H-5 October 2018
J-5 January 2019
J-6 June 2019
J-7 July 2019
K-5 January 2020

Auxiliary Codes Continued

WF27A

G-5 July 2017
H-5 October 2018
J-5 January 2019
J-6 June 2019
J-7 July 2019
K-5 January 2020

WF27A-01

H-5 October 2018
J-5 February 2019
J-6 June 2019
J-7 July 2019

WF27A-D2

G-5 September 2017
H-5 October 2018
J-5 January 2019
J-6 June 2019
J-7 July 2019
K-5 January 2020

Auxiliary Codes Continued

UR36A

G-5 September 2017
H-5 November 2018
J-5 January 2019
J-6 June 2019
J-7 July 2019
K-5 January 2020

UR36A-01

H-5 October 2018
J-5 March 2019
J-6 June 2019
K-5 January 2020

WR36A

H-5 October 2018
J-5 February 2019
J-6 September 2019

WR36A-01

J-5 February 2019
J-6 November 2019

SR36A-10

H-5 October 2018
H-6 November 2018
J-5 January 2019
J-7 August 2019
K-5 February 2020

SR36A-15M

H-5 January 2018
H-6 October 2018
J-5 January 2019
J-6 June 2019
J-7 August 2019
J-8 September 2019
K-5 January 2020

Auxiliary Codes Continued

UR48A

G-5 September 2017
H-5 October 2018
J-5 January 2019
J-7 July 2019
K-5 January 2020

UR48A-GPL01

H-5 May 2018
J-5 April 2019
J-7 July 2019

UR48A-01

H-5 October 2018
J-5 February 2019
J-7 July 2019
K-5 January 2020

UR48A-D2

H-5 November 2018
J-5 January 2019
J-7 July 2019

UR48A-D4

G-5 November 2017
H-5 October 2018
J-5 January 2019
K-5 January 2020

WR48A

G-5 September 2017
H-5 October 2018
J-5 January 2019
J-7 July 2019
K-5 January 2020

WR48A-01

H-5 October 2018
J-5 March 2019
J-7 July 2019
K-5 January 2020

WR48A-D2

H-5 November 2018
J-5 March 2019
J-7 July 2019

WR48A-D4

J-5 April 2019
J-7 July 2019
K-5 January 2020

SR48A-8

H-5 October 2018
H-6 December 2018
J-5 January 2019
J-7 July 2019
K-5 February 2020

SR48A-12

H-5 October 2018
H-6 November 2018
J-5 January 2019
J-7 July 2019
K-5 February 2020

SR48A-12D2

H-5 October 2018
H-6 November 2018
J-5 January 2019
K-5 January 2020

SR48A-12D4

H-5 October 2018
H-6 November 2018
J-5 January 2019
J-7 July 2019
K-5 January 2020

SR48A-12M

H-6 November 2018
J-5 February 2019
J-8 November 2019
K-5 January 2020

SR48A-18M

H-5 January 2018
H-6 November 2018
J-5 January 2019
J-7 July 2019
J-8 September 2019
K-5 January 2020

SR48A-18MD2

H-5 October 2018
H-6 November 2018
J-5 January 2019
J-7 July 2019
J-8 October 2019

SR48A-18MD4

H-5 January 2018
H-6 November 2018
J-5 January 2019
J-7 July 2019
J-8 November 2019
K-5 January 2020

Auxiliary Codes Continued

UF48A

G-5 June 2017
H-5 October 2018
J-5 January 2019
J-6 June 2019
J-7 July 2019
K-5 January 2020

UF48A-01

H-5 November 2018
J-5 March 2019
J-7 July 2019
K-5 January 2020

UF48A-D4

G-5 September 2017
H-5 October 2018
J-5 January 2019
J-7 July 2019
K-5 February 2020

WF48A

H-5 October 2018
J-5 January 2019
J-6 June 2019
J-7 August 2019
K-5 January 2020

WF48A-01

H-5 October 2018
J-5 January 2019
J-7 August 2019
K-5 February 2020

WF48A-D4

H-5 November 2018
J-5 January 2019
J-6 June 2019
J-7 August 2019
K-5 January 2020

Auxiliary Codes Continued

UR60A

G-5 August 2017
H-5 October 2018
J-5 January 2019
J-6 May 2019
J-7 June 2019
J-8 July 2019
K-5 January 2020

UR60A-01

J-6 May 2019
J-8 December 2019
K-5 February 2020

UR60A-D2

H-5 October 2018
J-5 January 2019
J-7 June 2019
J-8 September 2019
K-5 January 2020

UR60A-D4

G-5 October 2017
J-5 March 2019
J-6 May 2019
J-7 June 2019
J-8 July 2019
K-5 January 2020

WR60A

H-5 October 2018
J-5 January 2019
J-6 May 2019
J-7 June 2019
J-8 July 2019
K-5 January 2020

WR60A-01

J-5 February 2019
J-8 July 2019
K-5 January 2020

WR60A-D2

J-5 March 2019
J-6 May 2019
J-8 July 2019
K-5 January 2020

WR60A-D4

H-5 October 2018
J-5 March 2019
J-6 May 2019
J-7 June 2019
J-8 August 2019
K-5 January 2020

SR60A-8

H-5 October 2018
H-6 November 2018
J-5 January 2019
J-8 September 2019
K-5 February 2020

SR60A-12

H-5 October 2018
H-6 November 2018
J-5 January 2019
J-7 June 2019
J-8 September 2019
K-5 January 2020

SR60A-12M

J-5 January 2019
J-7 June 2019
J-8 August 2019
K-5 January 2020

SR60A-16

H-5 October 2018
H-6 November 2018
J-5 January 2019
J-6 May 2019
J-7 June 2019
J-8 July 2019
K-5 January 2020

SR60A-18M

H-5 October 2018
H-6 November 2018
J-5 January 2019
J-6 May 2019
J-7 June 2019
J-8 July 2019
K-5 January 2020

SR60A-24M

H-5 October 2018
H-6 November 2018
J-5 January 2019
J-6 May 2019
J-7 June 2019
J-8 July 2019
J-9 September 2019
K-5 January 2020

SR60A-24MD2

H-5 October 2018
H-6 November 2018
J-5 March 2019
J-6 May 2019
J-7 June 2019
J-8 August 2019
J-9 December 2019

SR60A-24MD4

H-5 March 2018
H-6 November 2018
J-5 January 2019
J-6 May 2019
J-7 June 2019
J-8 July 2019
J-9 September 2019

Auxiliary Codes Continued

UF60A

G-5 April 2017
H-5 October 2018
J-5 January 2019
J-7 June 2019
J-8 July 2019
K-5 January 2020

UF60A-01

H-5 October 2018
J-5 July 2019

WF60A

G-5 April 2017
H-5 October 2018
J-5 January 2019
J-6 May 2019
J-7 June 2019
J-8 July 2019
K-5 January
2020

WF60A-01

H-5 November 2018
J-5 July 2019

Auxiliary Codes Continued

UR72A

G-5 October 2017
H-5 November 2018
J-5 January 2019
J-6 May 2019
J-7 June 2019
J-8 July 2019
K-5 January 2020

UR72A-01

J-5 July 2019

UR72A-D6

G-5 September 2017
H-5 December 2018
J-5 February 2019
J-7 June 2019
J-8 July 2019
K-5 January 2020

WR72A

H-5 November 2018
J-5 January 2019
J-6 May 2019
J-7 June 2019
J-8 August 2019
K-5 January 2020

WR72A-01

J-6 May 2019

WR72A-D6

H-5 October 2018
J-5 January 2019
J-6 May 2019
J-8 July 2019
K-5 January 2020

SR72A-12

H-5 October 2018
J-5 February 2019
J-6 May 2019
J-8 July 2019
K-5 January 2020

SR72A-16

J-5 January 2019
J-8 July 2019
K-5 January 2020

SR72A-18

H-5 October 2018
H-6 November 2018
J-5 January 2019
J-6 May 2019
J-7 June 2019
J-8 July 2019
K-5 January 2020

SR72A-18M

H-5 October 2018
H-6 November 2018
J-5 January 2019
J-6 May 2019
J-8 July 2019
J-9 September 2019

SR72A-24M

H-5 October 2018
H-6 November 2018
J-5 January 2019
J-6 May 2019
J-9 September 2019

SR72A-30M

H-5 February 2018
H-6 November 2018
J-5 January 2019
J-6 May 2019
J-7 June 2019
J-8 July 2019
J-9 September 2019
K-5 February 2020

SR72A-30MD2

H-5 October 2018
H-6 November 2018
J-5 January 2019
J-7 June 2019
J-9 September 2019
K-5 January 2020

SR72A-30MD4

H-5 October 2018
H-6 November 2018
J-5 January 2019
J-7 June 2019
J-8 August 2019
J-9 September 2019
K-5 February 2020

SR72A-30MD6

H-5 February 2018
H-6 November 2018
J-5 January 2019
J-8 August 2019
J-9 September 2019
K-5 January 2020

Model Codes

The model number code breakdown is as follows:

U – Undercounter

W – Worktop

R – Refrigerator

F – Freezer

27, 36, 48, 60, 72 – width

After Dash (-) Nomenclature:

-GLP – Glass Door

-01 – Locks

-LP – Low Profile Casters

-LPC – Low Profile Stainless Steel Shelf

-D2, -D4, -D6 – Drawers and Drawer/Door Combination

-8, -10, -12, -16, -18 – Prep Table Number of Pans

-12M, -15M, -18M, -24M, -30M – Mega Top Number of Pans

Auxiliary Code Breakdown

The auxiliary code is the first two characters in the serial number. The first character indicates the year. Years progress or regress in alphabetical order. The series runs from "A" through "V" and the letters "I" and "O" are skipped. The second character indicates significant part changes within a year. Base is "5" and this number advances for each change. In cases where there is a letter in parentheses, this designates the month. This is the last character in the serial number. The series runs from "(A)" through "(M)" and the letter "(I)" is skipped. This designation is only included when identifying a parts change within an auxiliary code.

Note About Ordering Parts

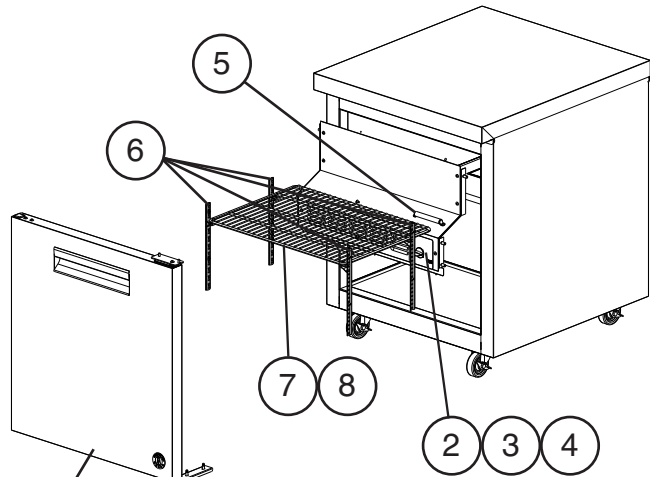
Most assemblies cannot be ordered as complete units; parts in the assemblies generally must be ordered separately.

A. Main Assembly

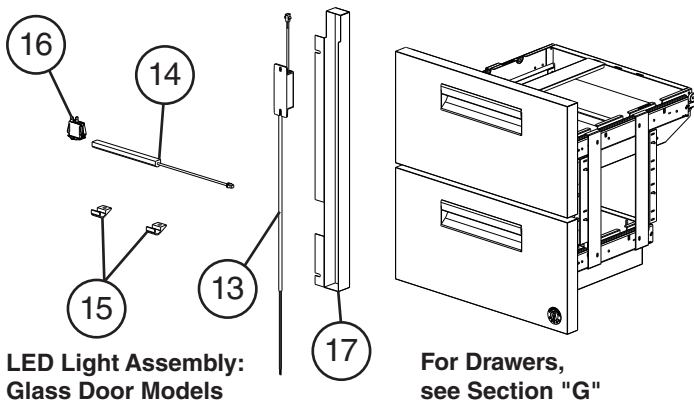
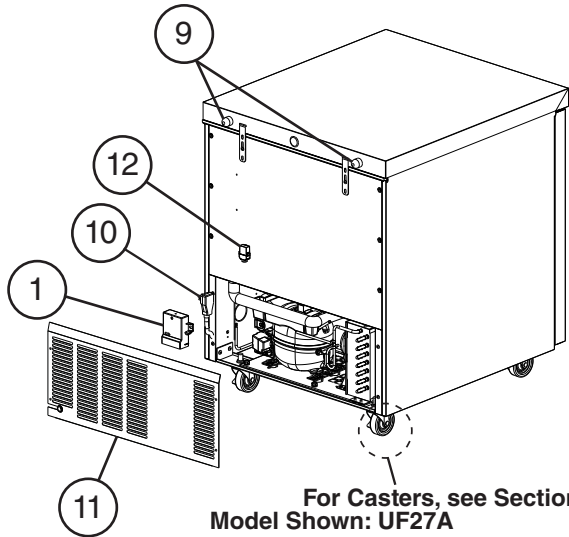
UR27,WR27,SR27,UF27,andWF27 Undercounter,Worktop, and Prep Table

G-5 to K-5

Undercounter, Worktop, Prep Table Common Parts

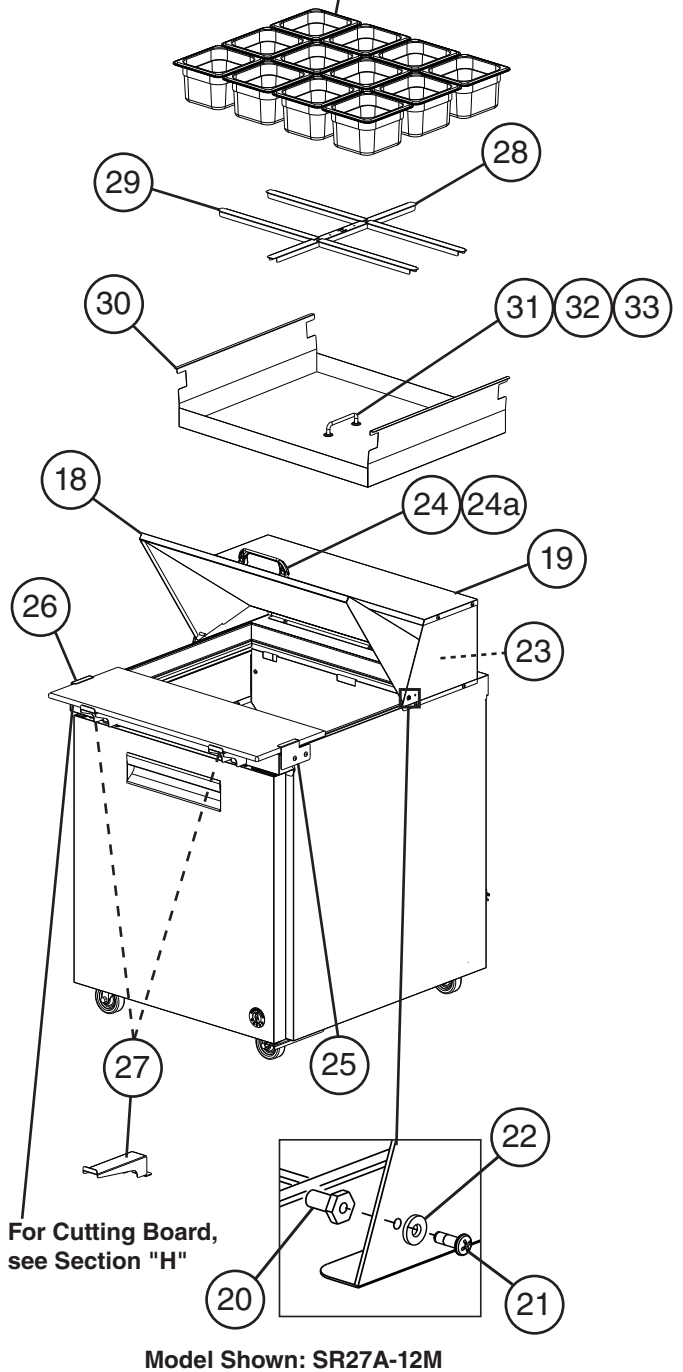


For Door, see Sections "C, D, E or F"



Prep Table Specific Parts

For Pans, see Section "H"



For Cutting Board, see Section "H"

Model Shown: SR27A-12M

| Title: A. Main Assembly Models: UR27, WR27, SR27, UF27, and WF27 Undercounter, Worktop, and Prep Table | | | | | | | | | | | |
|--|---------------------------------------|---|-------------|------------|-----------------|--|--|--|--|--|--|
| Index No. | Description | Material or Model Number | Part Number | G-5 to K-5 | Required Number | | | | | | |
| | | | | | | | | | | | |
| Common Parts | | | | | | | | | | | |
| 1 | Control Module | UC/WT Refrigerator | 4A5959G02 | 1 | | | | | | | |
| | | UC/WT Freezers | 4A5959G04 | 1 | | | | | | | |
| | | Prep Tables | 4A5959G03 | 1 | | | | | | | |
| 2 | Cabinet Temperature Control (Spindle) | UC/WT/ Prep Tables | 4A5952-01 | 1 | | | | | | | |
| 3 | Dial Plate | UC/WT/ Prep Tables | 4A6031-01 | 1 | | | | | | | |
| 4 | Dial Knob | UC/WT/ Prep Tables | 4A5950-01 | 1 | | | | | | | |
| 5 | Cabinet Thermometer | | 461083-01 | 1 | | | | | | | |
| 6 | Side Pilaster | All UC/WT/ Prep Tables Except -D(x) Models | 4A5854-01 | 4 | | | | | | | |
| 7 | Shelf | All UC/WT/ Prep Tables Except -D(x) Models -LPC Models | 3A2830-07 | 1 | | | | | | | |
| | | -LPC Models | 3A2830-14 | 1 | | | | | | | |
| | | | 3A2830-20 | 1 | | | | | | | |
| 8 | Shelf Clip | All UC/WT/ Prep Tables Except -D(x) Models | 4A5418-01 | 4 | | | | | | | |
| 9 | Bumper | | 3A6696-01 | 2 | | | | | | | |
| 10 | Power Cord | | 4A5718-01 | 1 | | | | | | | |
| 11 | Rear Panel | UC/WT Refrigerator and Prep Tables | 1A4961-01 | 1 | | | | | | | |
| | | UC/WT Freezers | 1A2260-01 | 1 | | | | | | | |
| 12 | Pressure Relief Valve | UC/WT Freezers | 4A5694-01 | 1 | | | | | | | |
| 13 | LED Driver | -GLP01 | 1A5501-01 | 1 | | | | | | | |
| 14 | LED Lamp | | 3A9348-01 | 1 | | | | | | | |
| 15 | LED Clip | | 4A5906-01 | 2 | | | | | | | |
| 16 | LED Switch | | 4A6067-01 | 1 | | | | | | | |
| 17 | Channel | | 4A6064-01 | 1 | | | | | | | |

Title: A. Main Assembly Models: UR27, WR27, SR27, UF27, and WF27 Undercounter, Worktop, and Prep Table

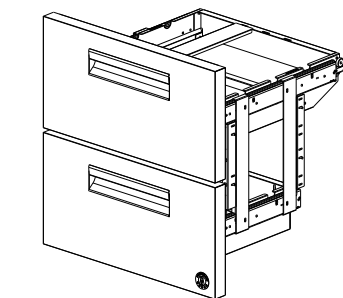
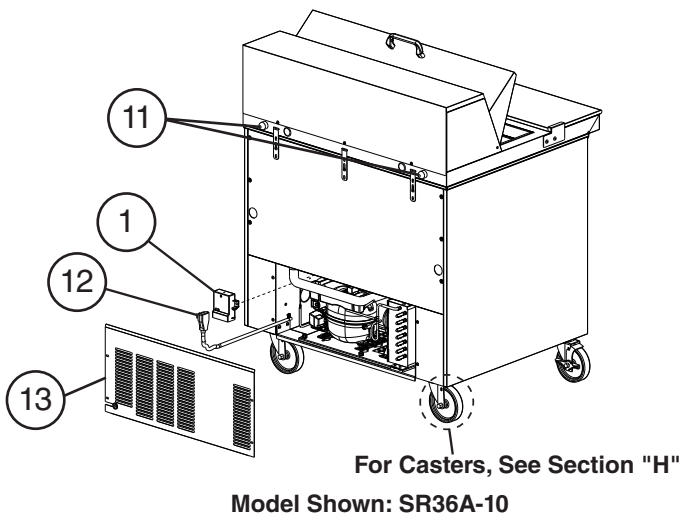
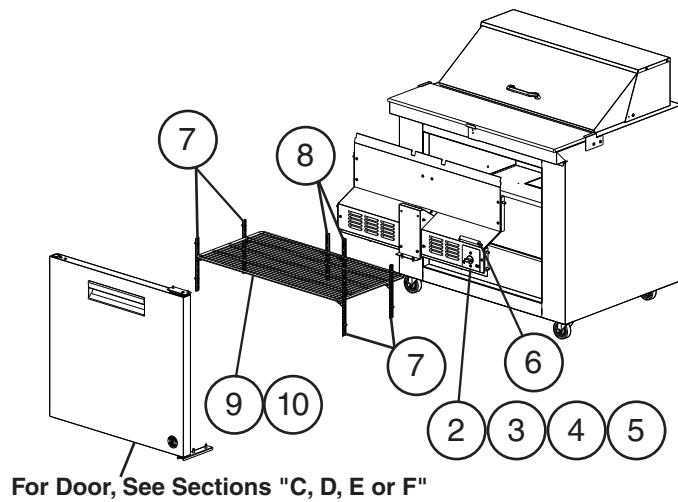
| Index No. | Description | Material or Model Number | Part Number | Required Number | | | | | | | | | |
|----------------------------------|---|----------------------------------|-------------|-----------------|--|--|--|--|--|--|--|--|--|
| | | | | G-5 to K-5 | | | | | | | | | |
| Prep Table Specific Parts | | | | | | | | | | | | | |
| 18 | Rail Cover (includes items 20 through 24a) | -8, -8D2 | 3A9410A01 | 1 | | | | | | | | | |
| | | -12M, -12MD2 | 3A9411A01 | 1 | | | | | | | | | |
| 19 | Rail Hood | | 3A9407A01 | 1 | | | | | | | | | |
| 20 | Pivot Pin | | 4A6161-01 | 2 | | | | | | | | | |
| 21 | Pivot Bolt | | 4A6160-01 | 2 | | | | | | | | | |
| 22 | Flat Washer | | 7W22I0832 | 2 | | | | | | | | | |
| 23 | Tree Clip | | 4A0579-01 | 2 | | | | | | | | | |
| 24 | Handle | | 1A3416-01 | 1 | | | | | | | | | |
| 24a | Pan Head Screw | | 7C12I1412 | 2 | | | | | | | | | |
| 25 | Right Cutting Board Bracket | -8, -8D2, -12M, -12MD2 | 3A8971-02 | 1 | | | | | | | | | |
| 26 | Left Cutting Board Bracket | -8, -8D2, -12M, -12MD2 | 3A8971-01 | 1 | | | | | | | | | |
| 27 | Center Cutting Board Bracket | -8, -8D2 | 4A5905-01 | 1 | | | | | | | | | |
| | | -12M, -12MD2 | 4A6794-01 | 2 | | | | | | | | | |
| 28 | Rail Divider (front-to-back) | -8, -8D2 (HS-5187) | 3A8903-01 | 1 | | | | | | | | | |
| | | -12M, -12MD2 (HS-5184) | 3A8855-01 | 1 | | | | | | | | | |
| 29 | Rail Divider (side-to-side) | -8, -8D2 (HS-5185) | 3B0027-03 | 2 | | | | | | | | | |
| | | -12M, -12MD2 (HS-5185) | | 4 | | | | | | | | | |
| 30 | Catch Tray (includes items 31 through 33) | -8, -8D | 2A8668A01 | 1 | | | | | | | | | |
| | | -12M, -12MD | 2A8666A01 | 1 | | | | | | | | | |
| 31 | Handle | | 4A4518-01 | 1 | | | | | | | | | |
| 32 | Pan Head Screw | 8x32 | 7C12I0838 | 2 | | | | | | | | | |
| 33 | Flat Washer | -8, -8D2 | 7W22-0400 | 2 | | | | | | | | | |
| | | -12M, -12MD2 | 7W22-0500 | 2 | | | | | | | | | |

A. Main Assembly

UR36, WR36, and SR36 Undercounter, Worktop, and Prep Table

G-5 to K-5

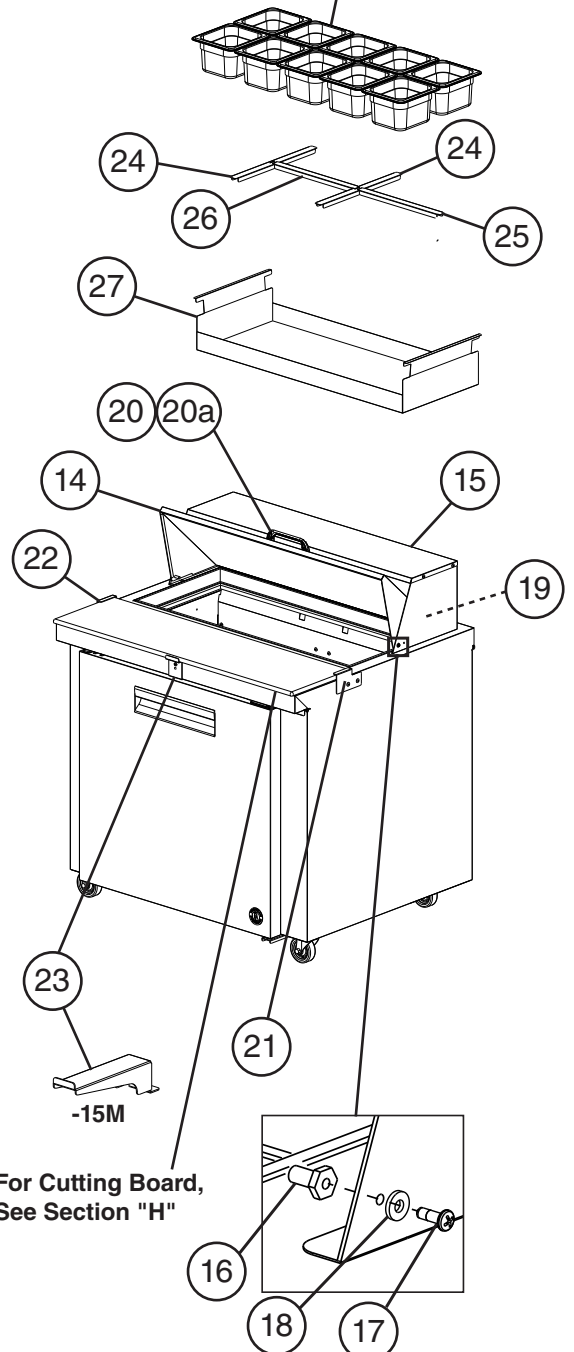
Undercounter, Worktop, Prep Table Common Parts



For Drawers, see Section "G"

Prep Table Specific Parts

For Pans, See Section "H"



Model Shown: SR36A-15M

| Title: A. Main Assembly Models: UR36, WR36, and SR36 Undercounter, Worktop, and Prep Table | | | | | | | | | | | | |
|---|--|--------------------------|-------------|-----------------|----------------|--|--|--|--|--|--|--|
| Index No. | Description | Material or Model Number | Part Number | Required Number | | | | | | | | |
| | | | | G-5 to J-8 (K) | J-8 (L) to K-5 | | | | | | | |
| Common Parts | | | | | | | | | | | | |
| 1 | Control Module | UC/WT | 4A5959G02 | 1 | 1 | | | | | | | |
| | | Prep Table | 4A5959G03 | 1 | 1 | | | | | | | |
| 2 | Cabinet Temperature Control (Spindle) | | 4A5952-01 | 1 | 1 | | | | | | | |
| 3 | Adapter Plate | | 4A5949-01 | 1 | 1 | | | | | | | |
| 4 | Dial Plate | | 4A5960-01 | 1 | 1 | | | | | | | |
| 5 | Dial Knob | | 4A5950-01 | 1 | 1 | | | | | | | |
| 6 | Cabinet Thermometer | | 461083-01 | 1 | 1 | | | | | | | |
| 7 | Side Pilaster | | 4A5719-01 | 4 | 4 | | | | | | | |
| 8 | Center Pilaster | | 4A5417-01 | 2 | 2 | | | | | | | |
| 9 | Shelf | | 3A6876-05 | 1 | 1 | | | | | | | |
| 10 | Shelf Clip | | 4A5418-01 | 6 | 6 | | | | | | | |
| 11 | Bumper | | 3A6696-01 | 2 | 2 | | | | | | | |
| 12 | Power Cord | | 4A5718-01 | 1 | 1 | | | | | | | |
| 13 | Rear Panel | | 1A2836-01 | 1 | 1 | | | | | | | |
| Prep Table Specific Parts | | | | | | | | | | | | |
| 14 | Rail Cover (includes items 16 through 20a) | -10 | 3A9408A01 | 1 | 1 | | | | | | | |
| | | -15M | 3A9409A01 | 1 | 1 | | | | | | | |
| 15 | Rail Hood | | 3A9406A01 | 1 | 1 | | | | | | | |
| 16 | Pivot Pin | | 4A6161-01 | 2 | 2 | | | | | | | |
| 17 | Pivot Bolt | | 4A6160-01 | 2 | 2 | | | | | | | |
| 18 | Flat Washer | | 7W22I0832 | 2 | 2 | | | | | | | |
| 19 | Tree Clip | | 4A0579-01 | 2 | 2 | | | | | | | |
| 20 | Handle | | 1A3416-01 | 1 | 1 | | | | | | | |
| 20a | Pan Head Screw | | 7C12I1412 | 2 | 2 | | | | | | | |
| 21 | Right Cutting Board Bracket | -10, -15M | 3A8971-02 | 1 | 1 | | | | | | | |
| 22 | Left Cutting Board Bracket | -10, -15M | 3A8971-01 | 1 | 1 | | | | | | | |
| 23 | Center Cutting Board Bracket | -10 | 4A5905-01 | 1 | 1 | | | | | | | |
| | | -15M | 4A6794-01 | 3 | 2 | | | | | | | |
| 24 | Rail Divider (front-to-back) | -10 (HS-5187) | 3A8903-01 | 2 | 2 | | | | | | | |
| | | -15M (HS-5184) | 3A8855-01 | 2 | 2 | | | | | | | |
| 25 | Rail Divider (side-to-side outer) | -10 (HS-5185) | 3B0027-03 | 1 | 1 | | | | | | | |
| | | -15M (HS-5185) | | 2 | 2 | | | | | | | |
| 26 | Rail Divider (side-to-side center) | -10 (HS-5186) | 3B0028-03 | 1 | 1 | | | | | | | |
| | | -15M (HS-5186) | | 2 | 2 | | | | | | | |
| 27 | Catch Tray | -10 | 1A4219-02 | 1 | 1 | | | | | | | |
| | | -15M | 1A4219-03 | 1 | 1 | | | | | | | |

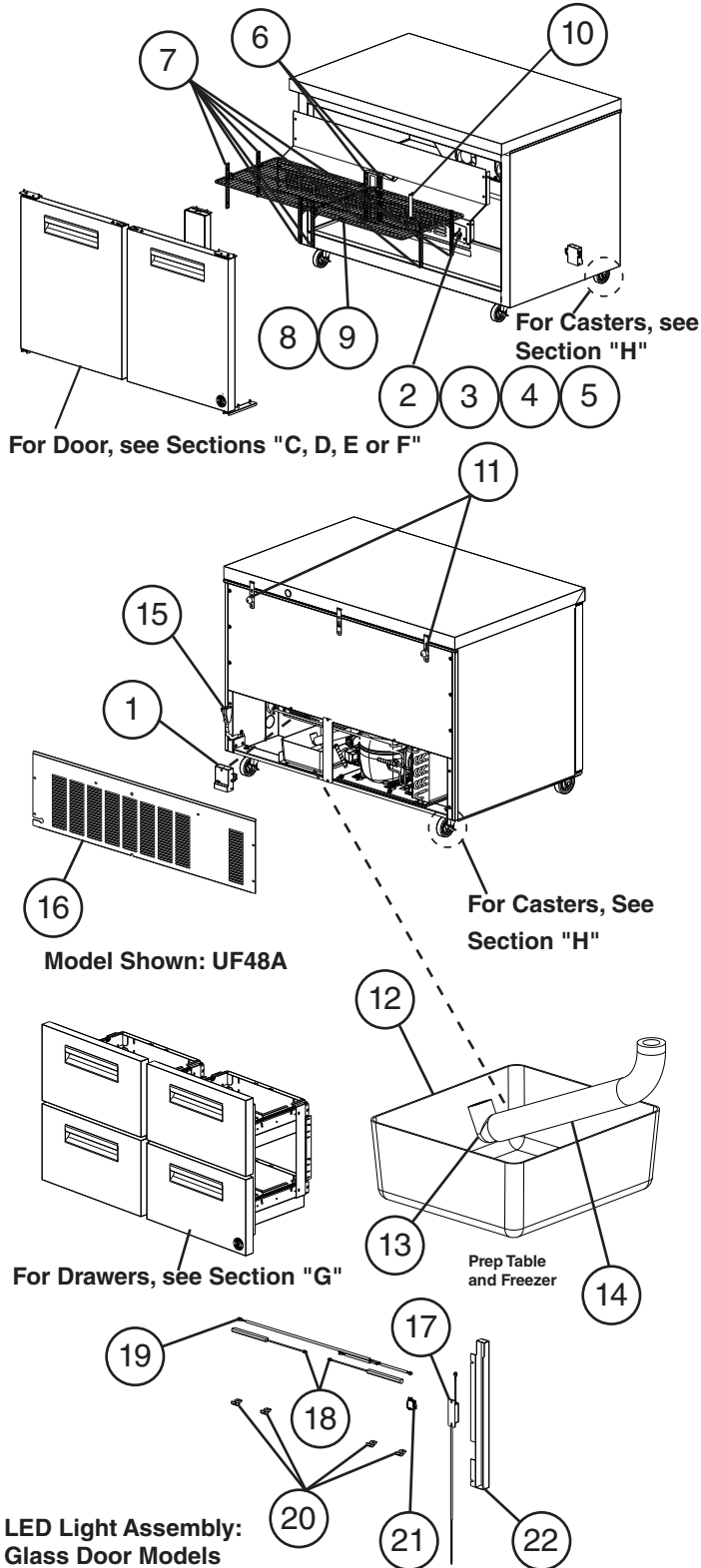
A. Main Assembly

UR48, WR48, SR48, UF48, and WF48 Undercounter, Worktop, and Prep Table

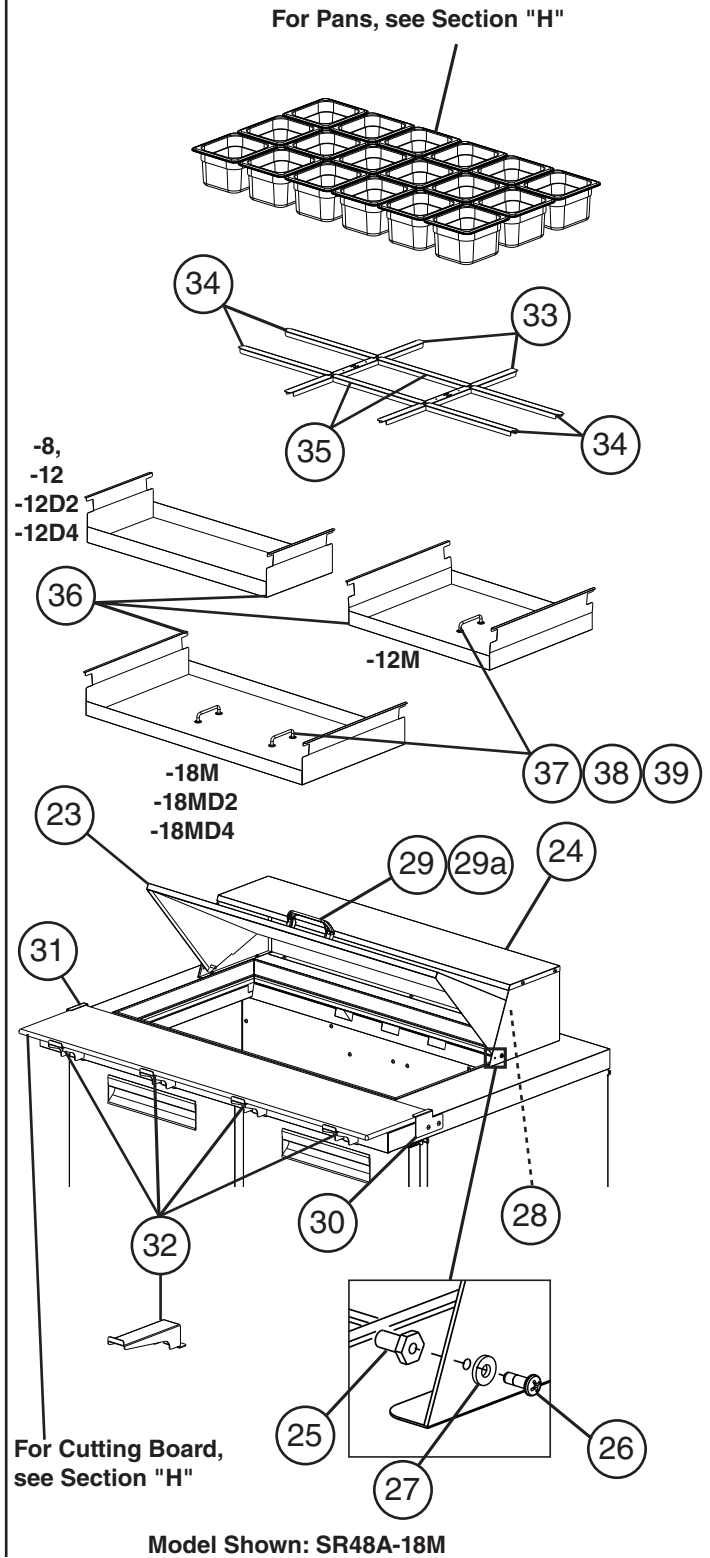
G-5 to K-5

Undercounter, Worktop, Prep Table

Common Parts



Prep Table Specific Parts



| Title: A. Main Assembly Models: UR48, WR48, SR48, UF48, and WF48 Undercounter, Worktop, and Prep Table | | | | | | | | | | | |
|--|---------------------------------------|--|-------------|-----------------|----------------|--|--|--|--|--|--|
| Index No. | Description | Material or Model Number | Part Number | Required Number | | | | | | | |
| | | | | G-5 to J-8 (K) | J-8 (L) to K-5 | | | | | | |
| Common Parts | | | | | | | | | | | |
| 1 | Control Module | UC/WT Refrigerator | 4A5959G02 | 1 | 1 | | | | | | |
| | | UC/WT Freezers | 4A5959G01 | 1 | 1 | | | | | | |
| | | Prep Tables | 4A5959G03 | 1 | 1 | | | | | | |
| 2 | Cabinet Temperature Control (Spindle) | UC/WT/Prep Tables | 4A5952-01 | 1 | 1 | | | | | | |
| 3 | Adapter Plate | UC/WT/Prep Tables | 4A5949-01 | 1 | 1 | | | | | | |
| 4 | Dial Plate Label | UC/WT/Prep Tables | 4A5960-01 | 1 | 1 | | | | | | |
| 5 | Dial Knob | UC/WT/Prep Tables | 4A5950-01 | 1 | 1 | | | | | | |
| 6 | Center Back Pilasters | All UC/WT/Prep Tables Except -D(x) Models | 4A5417-01 | 2 | 2 | | | | | | |
| 7 | Sides and Front Pilaster | UC/WT/Prep Tables | 4A5719-01 | 6 | 6 | | | | | | |
| | | Door/Drawer | | 4 | 4 | | | | | | |
| 8 | Shelf | UC/WT/Prep Tables | 3A2830-08 | 2 | 2 | | | | | | |
| | | Door/Drawer | | 1 | 1 | | | | | | |
| 9 | Shelf Clip | UC/WT/Prep Tables | 4A5418-01 | 8 | 8 | | | | | | |
| | | Door/Drawer | | 4 | 4 | | | | | | |
| 10 | Cabinet Thermometer | | 461083-01 | 1 | 1 | | | | | | |
| 11 | Bumpers | | 3A6696-01 | 2 | 2 | | | | | | |
| 12 | Condensate Pan | UC/WT Freezers/ Prep Tables | 1A3373-01 | 1 | 1 | | | | | | |
| 13 | Elbow Socket | | 4A5624-01 | 1 | 1 | | | | | | |
| 14 | Hose | | 4A0658L01 | 1 | 1 | | | | | | |
| 15 | Power Cord | | 4A5718-01 | 1 | 1 | | | | | | |
| 16 | Rear Panel | UC/WT Refrigerators | 1A2261-01 | 1 | 1 | | | | | | |
| | | UC/WT Freezers/ Prep Tables | 1A5747-01 | 1 | 1 | | | | | | |
| 17 | LED Driver | -GLP01 | 1A5501-01 | 1 | 1 | | | | | | |
| 18 | LED Lamp | | 3A9348-01 | 2 | 2 | | | | | | |
| 19 | LED Y Harness | | 4A6080-01 | 1 | 1 | | | | | | |
| 20 | LED Clip | | 4A5906-01 | 4 | 4 | | | | | | |
| 21 | LED Switch | | 4A6067-01 | 1 | 1 | | | | | | |
| 22 | Channel | | 4A6064-01 | 1 | 1 | | | | | | |

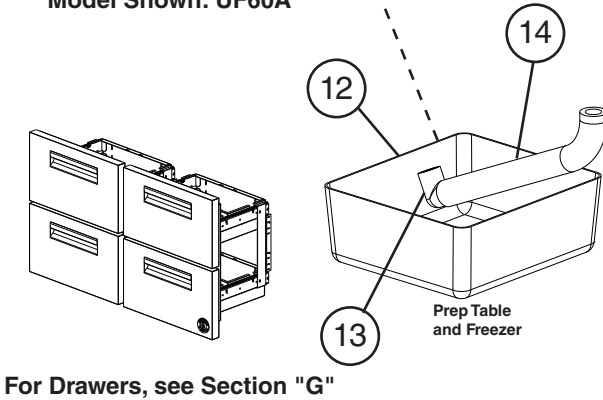
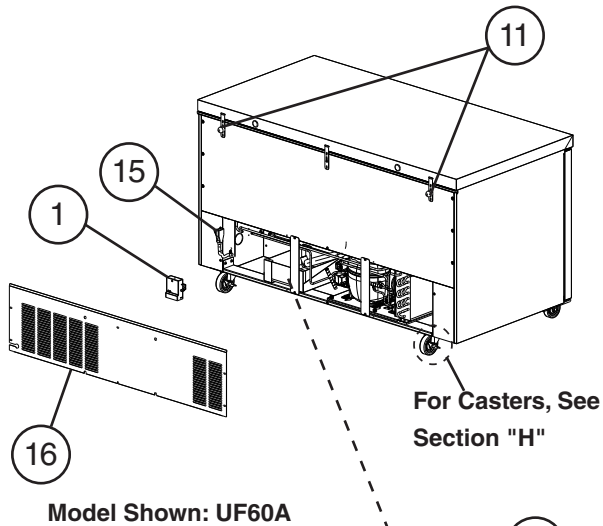
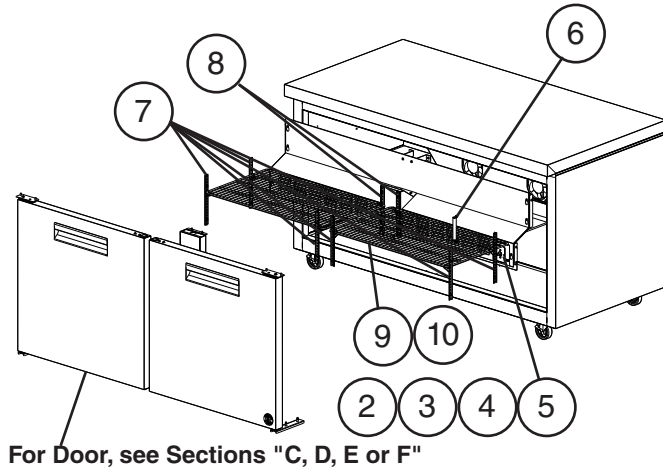
| Title: A. Main Assembly Models: UR48, WR48, SR48, UF48, and WF48 Undercounter, Worktop, and Prep Table | | | | | | | | | | |
|--|---|--------------------------------|-------------|-----------------|----------------|--|--|--|--|--|
| Index No. | Description | Material or Model Number | Part Number | Required Number | | | | | | |
| | | | | G-5 to J-8 (K) | J-8 (L) to K-5 | | | | | |
| Prep Table Specific Parts | | | | | | | | | | |
| 23 | Rail Cover Assembly (includes items 25 through 29a) | -8 | 3A9405A01 | 1 | 1 | | | | | |
| | | -12, -12D2, -12D4 | 3A9398A01 | 1 | 1 | | | | | |
| | | -12M | 3A9402A01 | 1 | 1 | | | | | |
| | | -18M, -18MD2, -18MD4 | 3A9399A01 | 1 | 1 | | | | | |
| 24 | Rail Hood | -8 | 3A9404A01 | 1 | 1 | | | | | |
| | | -12M | 3A9403A01 | 1 | 1 | | | | | |
| | | -12, -12D2, -12D4 | 3A9394A01 | 1 | 1 | | | | | |
| | | -18M, -18MD2, -18MD4 | 3A9395A01 | 1 | 1 | | | | | |
| 25 | Pivot Pin | | 4A6161-01 | 2 | 2 | | | | | |
| 26 | Pivot Bolt | | 4A6160-01 | 2 | 2 | | | | | |
| 27 | Flat Washer | | 7W22I0832 | 2 | 2 | | | | | |
| 28 | Tree Clip | | 4A0579-01 | 2 | 2 | | | | | |
| 29 | Handle | | 1A3416-01 | 1 | 1 | | | | | |
| 29a | Pan Head Screw | | 7C12I1412 | 2 | 2 | | | | | |
| 30 | Right Cutting Board Bracket | | 3A8971-02 | 1 | 1 | | | | | |
| 31 | Left Cutting Board Bracket | | 3A8971-01 | 1 | 1 | | | | | |
| 32 | Center Cutting Board Bracket | -8, -12, -12D2, -12D4 | 4A5905-01 | 2 | 2 | | | | | |
| | | -12M, -18M, -18MD2, -18MD4 | 4A6794-01 | 4 | 3 | | | | | |
| 33 | Rail Divider A (front-to-back) | -8 (HS-5188) | 3A8904-01 | 1 | 1 | | | | | |
| | | -12, -12D2, -12D4 (HS-5188) | | 2 | 2 | | | | | |
| | | -12M (HS-5184) | 3A8855-01 | 1 | 1 | | | | | |
| | | -18M, -18MD2, -18MD4 (HS-5184) | | 2 | 2 | | | | | |
| 34 | Rail Divider B (side-to-side) | -8 (HS-5189) | 3B0027-01 | 1 | 1 | | | | | |
| | | -12, -12D2, -12D4 (HS-5189) | | 2 | 2 | | | | | |
| | | -12M (HS-5185) | 3B0027-03 | 4 | 4 | | | | | |
| | (outer side-to-side) -18M -18MD2, -18MD4 (HS-5185) | 4 | | 4 | | | | | | |
| 35 | Rail Divider C (center side-to-side) | -18M, -18MD2, -18MD4 (HS-5186) | 3B0028-03 | 2 | 2 | | | | | |
| 36 | Catch Tray | -8 | 1A4221-01 | 1 | 1 | | | | | |
| | | -12, -12D2, -12D4 | 1A4221-03 | 1 | 1 | | | | | |
| | (includes items 37 through 39) | -12M | 2A8666A01 | 1 | 1 | | | | | |
| | | -18M, -18MD2, -18MD4 | 2A8667A01 | 1 | 1 | | | | | |
| 37 | Handle | 12M | 4A4518-01 | 1 | 1 | | | | | |
| | | -18M, -18MD2, -18MD4 | | 2 | 2 | | | | | |
| 38 | Pan Head Screw | -12M | 7C12I0838 | 2 | 2 | | | | | |
| | | -18M, -18MD2, -18MD4 | | 4 | 4 | | | | | |
| 39 | Flat Washer | -8, -8D2 | 7W22-0400 | 2 | 2 | | | | | |
| | | -12M, -12MD2 | 7W22-0500 | 2 | 2 | | | | | |

A. Main Assembly

UR60, WR60, SR60, UF60, and WF60 Undercounter, Worktop, and Prep Table

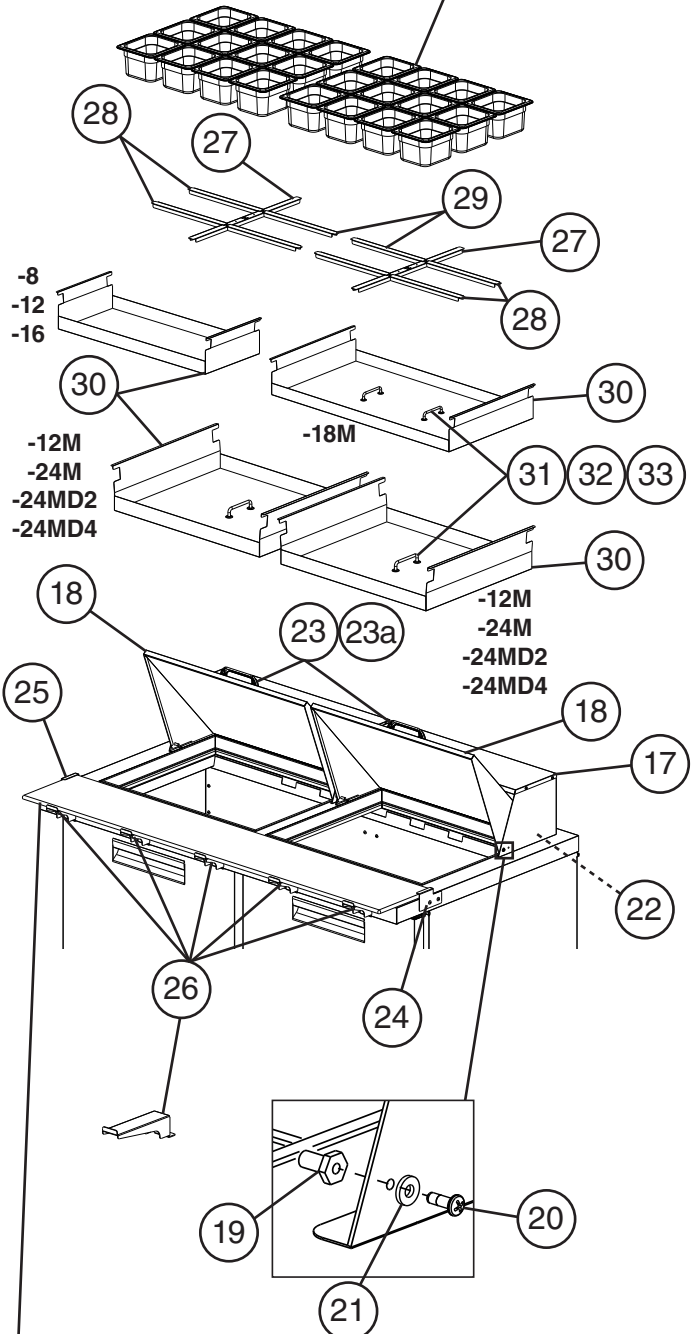
G-5 to K-5

Undercounter, Worktop, Prep Table Common Parts



Prep Table Specific Parts

For Pans, see Section "H"



| Title: A. Main Assembly Models: UR60, WR60, SR60, UF60, and WF60 Undercounter, Worktop, and Prep Table | | | | | | | | | | | |
|---|---------------------------------------|------------------------------------|-------------|-----------------|----------------|--|--|--|--|--|--|
| Index No. | Description | Material or Model Number | Part Number | Required Number | | | | | | | |
| | | | | G-5 to J-9 (K) | J-9 (L) to K-5 | | | | | | |
| Common Parts | | | | | | | | | | | |
| 1 | Control Module | UC/WT Refrigerators | 4A5959G02 | 1 | 1 | | | | | | |
| | | UC/WT Freezers | 4A5959G01 | 1 | 1 | | | | | | |
| | | Prep Tables | 4A5959G03 | 1 | 1 | | | | | | |
| 2 | Cabinet Temperature Control (Spindle) | UC/WT/Prep Tables | 4A5952-01 | 1 | 1 | | | | | | |
| 3 | Adapter Plate | | 4A5949-01 | 1 | 1 | | | | | | |
| 4 | Dial Plate | UC/WT | 4A5960-01 | 1 | 1 | | | | | | |
| 5 | Dial Knob | UC/WT/Prep Tables | 4A5950-01 | 1 | 1 | | | | | | |
| 6 | Cabinet Thermometer | | 461083-01 | 1 | 1 | | | | | | |
| 7 | Side and Front Pilaster | | 4A5719-01 | 6 | 6 | | | | | | |
| | | Door/Drawer | | 4 | 4 | | | | | | |
| 8 | Rear Pilaster | | 4A5417-01 | 2 | 2 | | | | | | |
| 9 | Shelf | | 3A2830-09 | 2 | 2 | | | | | | |
| | | Door/Drawer | | 1 | 1 | | | | | | |
| 10 | Shelf Clip | | 4A5418-01 | 8 | 8 | | | | | | |
| | | Door/Drawer | | 4 | 4 | | | | | | |
| 11 | Bumpers | | 3A6696-01 | 2 | 2 | | | | | | |
| 12 | Condensate Pan | UC/WT Freezers/ Prep Tables | 1A3373-01 | 1 | 1 | | | | | | |
| 13 | Elbow Socket | | 4A5624-01 | 1 | 1 | | | | | | |
| 14 | Hose | | 4A0658L01 | 1 | 1 | | | | | | |
| 15 | Power Cord | | 4A5718-01 | 1 | 1 | | | | | | |
| 16 | Rear Panel | Refrigerators | 1A2542-01 | 1 | 1 | | | | | | |
| | | UC/WT Freezers/ Prep Tables | 1A5751-01 | 1 | 1 | | | | | | |

| Title: A. Main Assembly Models: UR60, WR60, SR60, UF60, and WF60 Undercounter, Worktop, and Prep Table | | | | | | | | | | | |
|--|---|--|-------------|-----------------|------------|--|--|--|--|--|--|
| Index No. | Description | Material or Model Number | Part Number | Required Number | | | | | | | |
| | | | | G-5 to J-9 (K) | J-9 to K-5 | | | | | | |
| Prep Table Specific Parts | | | | | | | | | | | |
| 17 | Rail Hood | -8 | 3A9404A01 | 1 | 1 | | | | | | |
| | | -12M | 3A9403A01 | 1 | 1 | | | | | | |
| | | -12 | 3A9394A01 | 1 | 1 | | | | | | |
| | | -18M | 3A9395A01 | 1 | 1 | | | | | | |
| | | -16 | 3A9396A01 | 1 | 1 | | | | | | |
| | | -24M, -24MD2, -24MD4 | 3A9403A01 | 2 | 2 | | | | | | |
| 18 | Rail Cover (includes items 19 through 23a) | -8 | 3A9405A01 | 1 | 1 | | | | | | |
| | | -12 | 3A9398A01 | 1 | 1 | | | | | | |
| | | -12M | 3A9402A01 | 1 | 1 | | | | | | |
| | | -16 | 3A9400A01 | 1 | 1 | | | | | | |
| | | -18M | 3A9399A01 | 1 | 1 | | | | | | |
| | | -24M, -24MD2, -24MD4 | 3A9402A01 | 2 | 2 | | | | | | |
| 19 | Pivot Pin | -8, -12, -12M, -16, -18M | 4A6161-01 | 2 | 2 | | | | | | |
| | | -24M, -24MD2, -24MD4 | | 4 | 4 | | | | | | |
| 20 | Pivot Bolt | -8, -12, -12M, -16, -18M | 4A6160-01 | 2 | 2 | | | | | | |
| | | -24M, -24MD2, -24MD4 | | 4 | 4 | | | | | | |
| 21 | Flat Washer | -8, -12, -12M, -16, -18M | 7W22I0832 | 2 | 2 | | | | | | |
| | | -24M, -24MD2, -24MD4 | | 4 | 4 | | | | | | |
| 22 | Tree Clip | -8, -12, -12M, -16, -18M | 4A0579-01 | 2 | 2 | | | | | | |
| | | 24M, -24MD2, -24MD4 | | 3 | 3 | | | | | | |
| 23 | Handle | -8, -12, -12M, -16, -18M | 1A3416-01 | 1 | 1 | | | | | | |
| | | -24M, -24MD2, -24MD4 | | 2 | 2 | | | | | | |
| 23a | Pan Head Screw | -8, -12, -12M, -16, -18M | 7C12I1412 | 2 | 2 | | | | | | |
| | | -24M, -24MD2, -24MD4 | | 4 | 4 | | | | | | |
| 24 | Right Cutting Board Bracket | -8, -12, -16, -12M, -18M, -24M, -24MD2, -24MD4 | 3A8971-02 | 1 | 1 | | | | | | |
| 25 | Left Cutting Board Bracket | -8, -12, -16, -12M, -18M, -24M, -24MD2, -24MD4 | 3A8971-01 | 1 | 1 | | | | | | |
| 26 | Center Cutting Board Bracket | -8, -12, -16 | 4A5905-01 | 3 | 3 | | | | | | |
| | | -12M, -18M, -24M, -24MD2, -24MD4 | 4A6794-01 | 5 | 3 | | | | | | |

| Title: A. Main Assembly Models: UR60, WR60, SR60, UF60, and WF60 Undercounter, Worktop, and Prep Table | | | | | | | | | | | |
|--|--------------------------------------|--------------------------------------|-------------|-----------------|----------------|--|--|--|--|--|--|
| Index No. | Description | Material or Model Number | Part Number | Required Number | | | | | | | |
| | | | | G-5 to J-9 (K) | J-9 (L) to K-5 | | | | | | |
| 27 | Rail Divider (front-to-back) | -8 (HS-5188) | 3A8904-01 | 1 | 1 | | | | | | |
| | | -12 (HS-5188) | | 2 | 2 | | | | | | |
| | | -16 (HS-5188) | | 3 | 3 | | | | | | |
| | | -12M (HS-5184) | 3A8855-01 | 1 | 1 | | | | | | |
| | | -18M, -24M, -24MD2, -24MD4 (HS-5184) | | 2 | 2 | | | | | | |
| 28 | Rail Divider (side-to-side) | -8 (HS-5189) | 3B0027-01 | 2 | 2 | | | | | | |
| | (outer side-to-side) | -12 (HS-5189) | | 2 | 2 | | | | | | |
| | | -16 (HS-5189) | | 2 | 2 | | | | | | |
| | (side-to-side) | -12M (HS-5185) | 3B0027-03 | 4 | 4 | | | | | | |
| | (outer side-to-side) | -18M (HS-5185) | | 4 | 4 | | | | | | |
| | (side-to-side) | -24M, -24MD2, -24MD4 (HS-5185) | | 8 | 8 | | | | | | |
| 29 | Rail Divider C (center side to side) | -12 (HS-5190) | 3B0028-01 | 1 | 1 | | | | | | |
| | | -16 (HS-5190) | | 2 | 2 | | | | | | |
| | | -18M (HS-5186) | 3B0028-03 | 2 | 2 | | | | | | |
| 30 | Catch Tray | -8 | 1A4221-01 | 1 | 1 | | | | | | |
| | | -12 | 1A4221-03 | 1 | 1 | | | | | | |
| | | -16 | 1A4221-01 | 2 | 2 | | | | | | |
| | (includes items 31 through 33) | -12M, -24M, -24MD2, -24MD4 | 2A8666A01 | 2 | 2 | | | | | | |
| | | -18M | 2A8667A01 | 1 | 1 | | | | | | |
| 31 | Handle | | 4A4518-01 | 2 | 2 | | | | | | |
| 32 | Pan Head Screw | | 7C1210838 | 4 | 4 | | | | | | |
| 33 | Flat Washer | | 7W22-0500 | 4 | 4 | | | | | | |

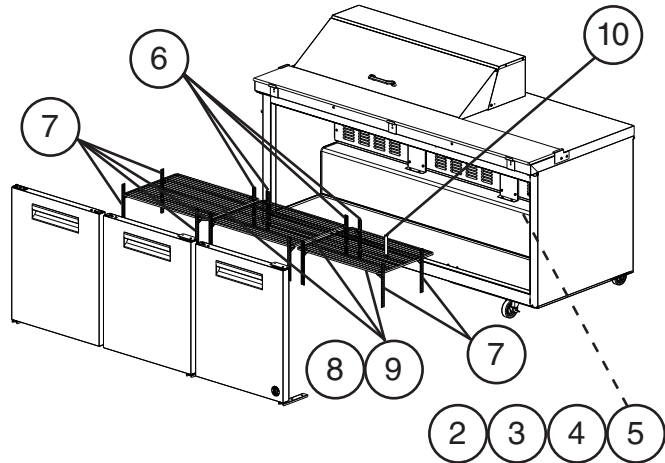
A. Main Assembly

UR72, WR72, and SR72 Undercounter, Worktop, and Prep Table

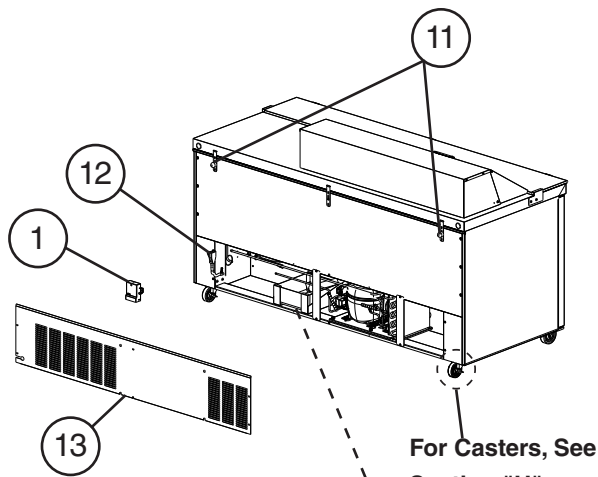
G-5 to K-5

Undercounter, Worktop, Prep Table

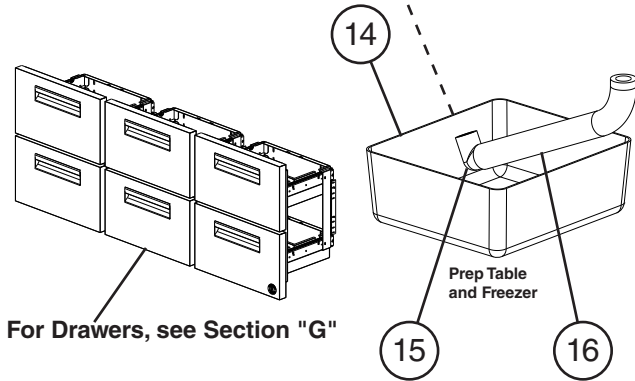
Common Parts



For Door, see Sections "C, D, E or F"



For Casters, See Section "H"



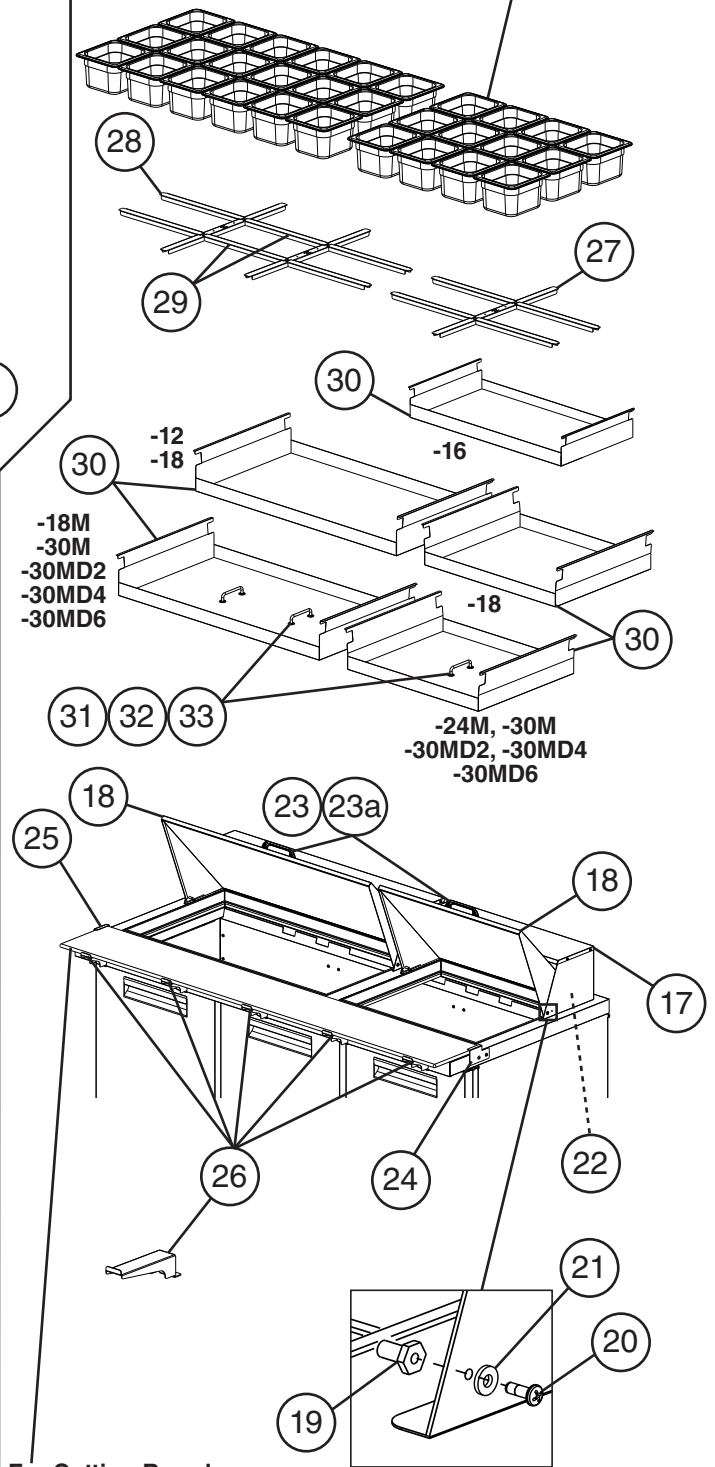
For Drawers, see Section "G"

Condensate Pan for SR72A Series

Prep Table

Specific Parts

For Pans, see Section "H"



For Cutting Board, see Section "H"

Model Shown: SR72A-30M

| Title: A. Main Assembly Models: UR72, WR72, and SR72 Undercounter, Worktop, and Prep Table | | | | | | | | | | | |
|---|---------------------------------------|--------------------------|-------------|-----------------|----------------|--|--|--|--|--|--|
| Index No. | Description | Material or Model Number | Part Number | Required Number | | | | | | | |
| | | | | G-5 to J-9 (K) | J-9 (L) to K-5 | | | | | | |
| Common Parts | | | | | | | | | | | |
| 1 | Control Module | UC/WT | 4A5959G02 | 1 | 1 | | | | | | |
| | | Prep Table | 4A5959G03 | 1 | 1 | | | | | | |
| 2 | Cabinet Temperature Control (Spindle) | UC/WT/Prep Table | 4A5952-01 | 1 | 1 | | | | | | |
| 3 | Adapter Plate | UC/WT/Prep Table | 4A5949-01 | 1 | 1 | | | | | | |
| 4 | Dial Plate | | 4A5960-01 | 1 | 1 | | | | | | |
| 5 | Dial Knob | UC/WT/Prep Table | 4A5950-01 | 1 | 1 | | | | | | |
| 6 | Rear Pilaster | | 4A5417-01 | 4 | 4 | | | | | | |
| | | -30MD2 | | 2 | 2 | | | | | | |
| 7 | Side and Front Pilaster | | 4A5719-01 | 8 | 8 | | | | | | |
| | | -30MD2 | | 6 | 6 | | | | | | |
| | | -30MD4 | | 4 | 4 | | | | | | |
| 8 | Shelf | | 3A2830-07 | 3 | 3 | | | | | | |
| | | -30MD2 | | 2 | 2 | | | | | | |
| | | -30MD4 | 3A2830-08 | 1 | 1 | | | | | | |
| 9 | Shelf Clip | | 4A5418-01 | 12 | 12 | | | | | | |
| | | -30MD2 | | 8 | 8 | | | | | | |
| | | -30MD4 | | 4 | 4 | | | | | | |
| 10 | Cabinet Thermometer | | 461083-01 | 1 | 1 | | | | | | |
| 11 | Bumpers | | 3A6696-01 | 2 | 2 | | | | | | |
| 12 | Power Cord | | 4A5718-01 | 1 | 1 | | | | | | |
| 13 | Rear Panel | UC/WT | 1A2525-01 | 1 | 1 | | | | | | |
| | | Prep Tables | 1A2668-01 | 1 | 1 | | | | | | |
| 14 | Condensate Pan | UC/WT | 3A9478-01 | 1 | 1 | | | | | | |
| | | Prep Table | 1A3373-01 | 1 | 1 | | | | | | |
| 15 | Elbow Socket | | 4A5624-01 | 1 | 1 | | | | | | |
| 16 | Hose | | 4A0658L01 | 1 | 1 | | | | | | |

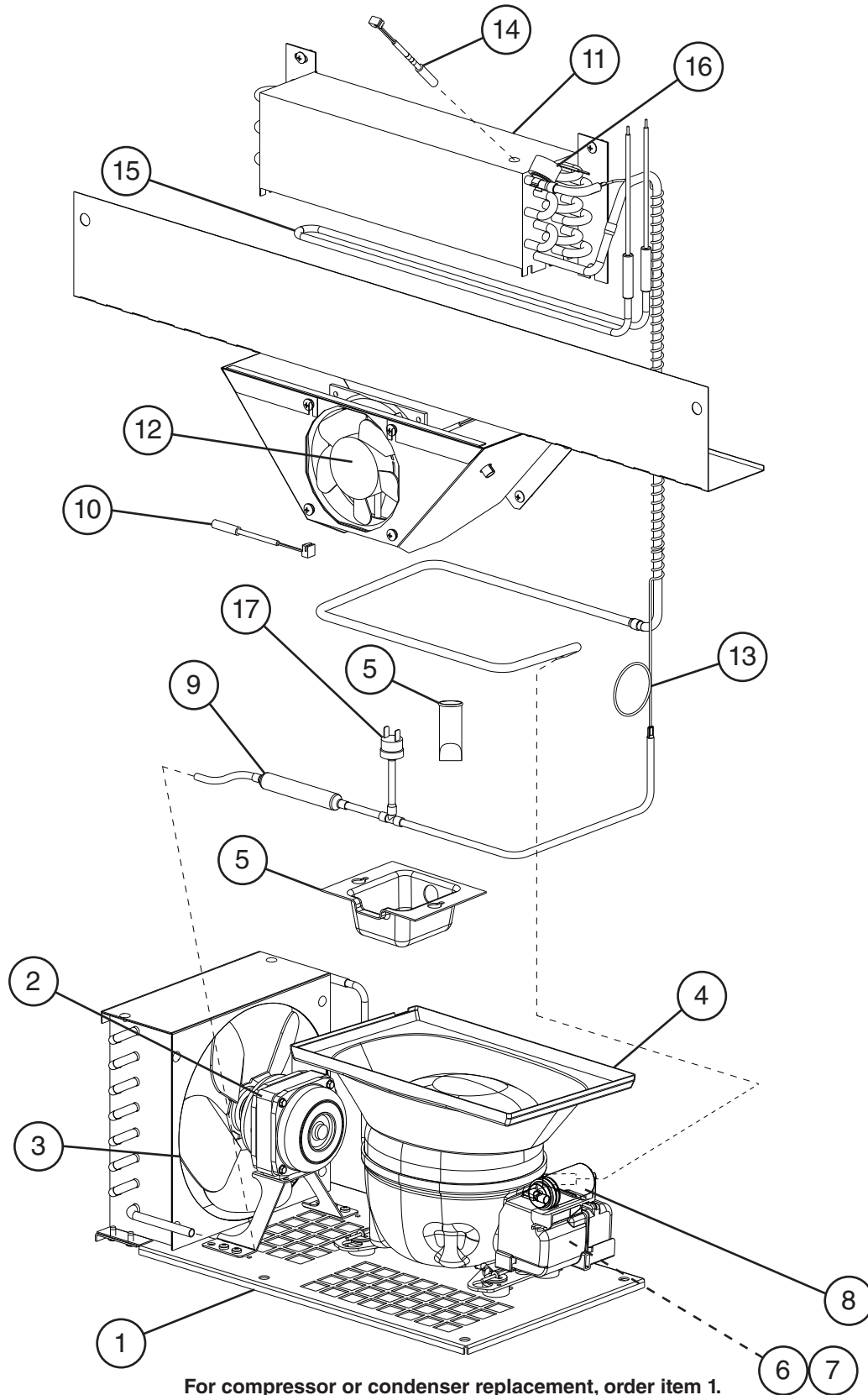
| Title: A. Main Assembly Models: UR72, WR72, and SR72 Undercounter, Worktop, and Prep Table | | | | | | | | | | | |
|--|--|--------------------------------------|-------------|-----------------|----------------|--|--|--|--|--|--|
| Index No. | Description | Material or Model Number | Part Number | Required Number | | | | | | | |
| | | | | G-5 to J-9 (K) | J-9 to K-5 (L) | | | | | | |
| Prep Table Specific Parts | | | | | | | | | | | |
| 17 | Rail Hood | -12 | 3A9394A01 | 1 | 1 | | | | | | |
| | | -18M | 3A9395A01 | 1 | 1 | | | | | | |
| | | -16 | 3A9396A01 | 1 | 1 | | | | | | |
| | | -18 | 3A9397A01 | 1 | 1 | | | | | | |
| | | -24M | 3A9403A01 | 2 | 2 | | | | | | |
| | | -30M, -30MD2, -30MD4, -30MD6 (Right) | 3A9403A01 | 1 | 1 | | | | | | |
| | | -30M, -30MD2, -30MD4, -30MD6 (Left) | 3A9395A01 | 1 | 1 | | | | | | |
| 18 | Rail Cover (includes items 19 through 23a) | -12 | 3A9398A01 | 1 | 1 | | | | | | |
| | | -16 | 3A9400A01 | 1 | 1 | | | | | | |
| | | -18 | 3A9401A01 | 1 | 1 | | | | | | |
| | | -18M | 3A9399A01 | 1 | 1 | | | | | | |
| | | -24M | 3A9402A01 | 2 | 2 | | | | | | |
| | | -30M, -30MD2, -30MD4, -30MD6 (Right) | 3A9402A01 | 1 | 1 | | | | | | |
| | | -30M, -30MD2, -30MD4, -30MD6 (Left) | 3A9399A01 | 1 | 1 | | | | | | |
| 19 | Pivot Pin | -12, -16, -18, -18M | 4A6161-01 | 2 | 2 | | | | | | |
| | | -24M, -30M, -30MD2, -30MD4, -30MD6 | | 4 | 4 | | | | | | |
| 20 | Pivot Bolt | -12, -16, -18, -18M | 4A6160-01 | 2 | 2 | | | | | | |
| | | -24M, -30M, -30MD2, -30MD4, -30MD6 | | 4 | 4 | | | | | | |
| 21 | Flat Washer | -12, -16, -18, -18M | 7W22I0832 | 2 | 2 | | | | | | |
| | | -24M, -30M, -30MD2, -30MD4, -30MD6 | | 4 | 4 | | | | | | |
| 22 | Tree Clip | -12, -16, -18, -18M | 4A0579-01 | 2 | 2 | | | | | | |
| | | -24M, -30M, -30MD2, -30MD4, -30MD6 | | 4 | 4 | | | | | | |
| 23 | Handle | -12, -16, -18, -18M | 1A3416-01 | 1 | 1 | | | | | | |
| | | -24M, -30M, -30MD2, -30MD4, -30MD6 | | 2 | 2 | | | | | | |
| 23a | Pan Head Screws | -12, -16, -18, -18M | 7C12I1412 | 2 | 2 | | | | | | |
| | | -24M, -30M, -30MD2, -30MD4, -30MD6 | | 4 | 4 | | | | | | |
| 24 | Right Cutting Board Bracket | | 3A8971-02 | 1 | 1 | | | | | | |
| 25 | Left Cutting Board Bracket | | 3A8971-01 | 1 | 1 | | | | | | |

| Title: A. Main Assembly Models: UR72, WR72, and SR72 Undercounter, Worktop, and Prep Table | | | | | | | | | | |
|--|--------------------------------------|--|-------------|-----------------|------------|--|--|--|--|--|
| Index No. | Description | Material or Model Number | Part Number | Required Number | | | | | | |
| | | | | G-5 to J-9 (K) | J-9 to K-5 | | | | | |
| 26 | Center Cutting Board Bracket | -12, -16, -18 | 4A5905-01 | 3 | 3 | | | | | |
| | | -18M, -24M, -30M, -30MD2, -30MD4, -30MD6 | 4A6794-01 | 5 | 4 | | | | | |
| 27 | Rail Divider (front-to-back) | -12, -18 (HS-5188) | 3A8904-01 | 2 | 2 | | | | | |
| | | -16 (HS-5188) | | 3 | 3 | | | | | |
| | | -18M, -24M (HS-5184) | 3A8855-01 | 2 | 2 | | | | | |
| | | -30M, -30MD2, -30MD4, -30MD6 (HS-5184) | | 3 | 3 | | | | | |
| 28 | Rail Divider (side-to-side) | -12 (HS-5189) | 3B0027-01 | 2 | 2 | | | | | |
| | (outer side to side) | -16 (HS-5189) | | 2 | 2 | | | | | |
| | | -18 (HS-5191) | 3B0027-02 | 2 | 2 | | | | | |
| | (outer side to side) | -18M (HS-5185) | 3B0027-03 | 4 | 4 | | | | | |
| | (side-to-side) | -24M (HS-5185) | | 8 | 8 | | | | | |
| | (outer side to side) | -30M, -30MD2, -30MD4, -30MD6 (HS-5185) | | 8 | 8 | | | | | |
| 29 | Rail Divider C (center side-to-side) | -12 (HS-5190) | 3B0028-01 | 1 | 1 | | | | | |
| | | -16 (HS-5190) | | 2 | 2 | | | | | |
| | | -18 (HS-5192) | 3B0028-02 | 1 | 1 | | | | | |
| | | -18M, -30M, -30MD2, -30MD4, -30MD6 (HS-5186) | 3B0028-03 | 2 | 2 | | | | | |
| 30 | Catch Tray | -12 | 1A4221-03 | 1 | 1 | | | | | |
| | | -16 | 1A4221-01 | 2 | 2 | | | | | |
| | | -18 | 1A4221-02 | 1 | 1 | | | | | |
| | | | 1A4221-03 | 1 | 1 | | | | | |
| | | -18M | 2A8667A01 | 1 | 1 | | | | | |
| | | -24M | 2A8666A01 | 2 | 2 | | | | | |
| | | -30M, -30MD2, -30MD4, -30MD6 | 2A8666A01 | 1 | 1 | | | | | |
| | | | 2A8667A01 | 1 | 1 | | | | | |
| 31 | Handle | 2A8666A01 | 4A4518-01 | 1 | 1 | | | | | |
| | | 2A8667A01 | | 2 | 2 | | | | | |
| 32 | Pan Head Screw | 2A8666A01 | 7C12I0838 | 2 | 2 | | | | | |
| | | 2A8667A01 | | 4 | 4 | | | | | |
| 33 | Flat Washer | 2A8666A01 | 7W22-0500 | 2 | 2 | | | | | |
| | | 2A8667A01 | | 4 | 4 | | | | | |

B. Refrigeration Circuit

UR27, WR27, and SR27 Undercounter, Worktop, and Prep Table

G-5 to K-5

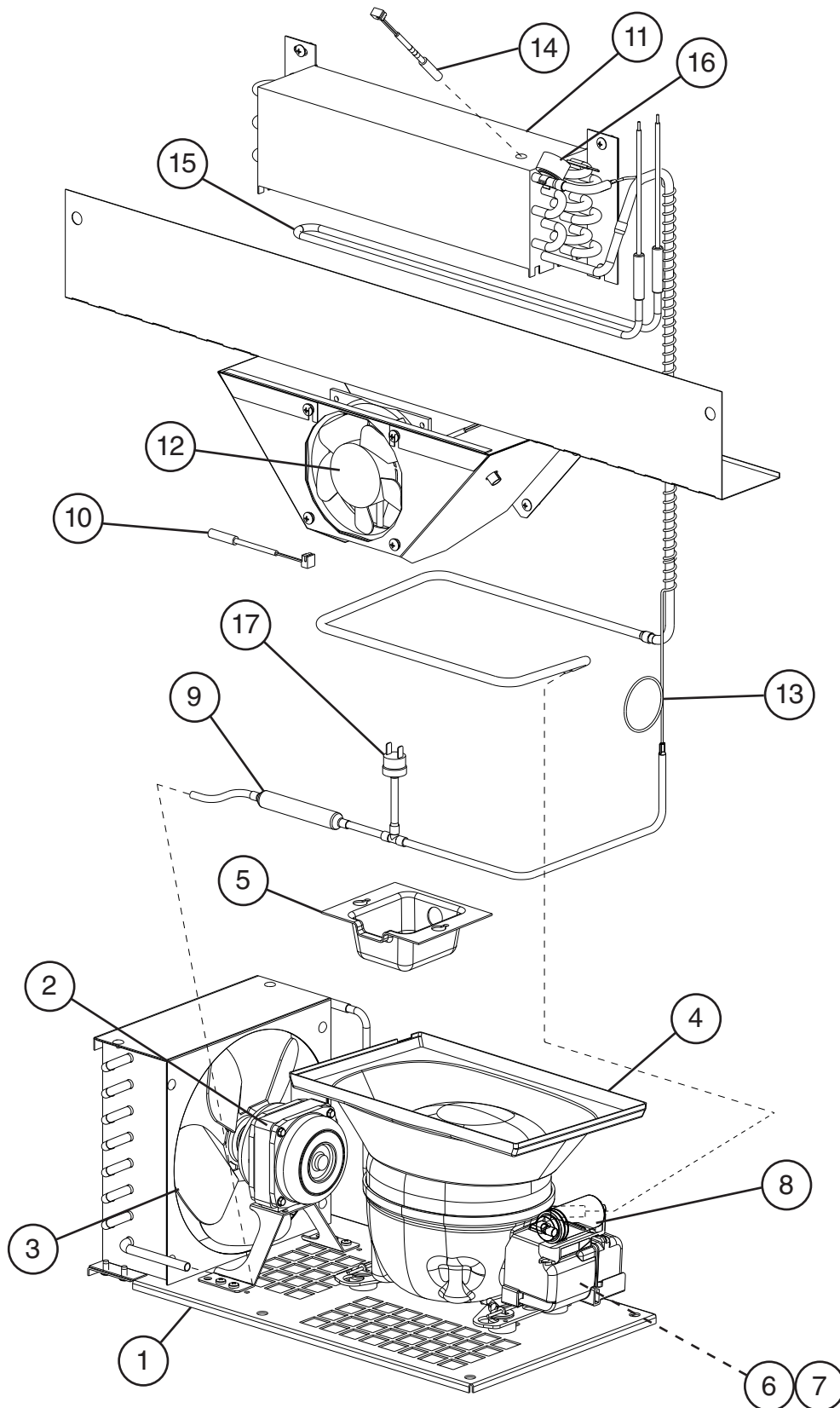


| Title: B. Refrigeration Circuit Models: UR27, WR27, and SR27 Undercounter, Worktop, Prep Table | | | | | | | | | | |
|--|---|-----------------------------|-------------|-----------------|------------|--|--|--|--|--|
| Index No. | Description | Material or Model Number | Part Number | Required Number | | | | | | |
| | | | | G-5 to H-5 | H-6 to K-5 | | | | | |
| 1 | Condensing Unit (includes compressor, condenser, and items 2 through 8; compressor and condenser are not sold individually) | UC/WT | 3A9520-01 | 1 | 1 | | | | | |
| | | Prep Table | 3A9316-01 | 1 | 1 | | | | | |
| 2 | Condenser Fan Motor | | 3A6798-01 | 1 | 1 | | | | | |
| 3 | Condenser Fan Blade | | 3A6799-01 | 1 | 1 | | | | | |
| 4 | Condensate Pan | UC/WT | 3A6758-01 | 1 | 1 | | | | | |
| | | Prep Table | 3A9478-01 | 1 | 1 | | | | | |
| 5 | Drain Cup | UC/WT | 3A9702-01 | 1 | 1 | | | | | |
| | Duct Bill | Prep Tables | SP-5345 | 1 | - | | | | | |
| | Drain Cup | | 3A9702-01 | | 1 | | | | | |
| 6 | Compressor External Protector | UC/WT | 3A9522-01 | 1 | 1 | | | | | |
| | | Prep Table | 3A9475-01 | 1 | 1 | | | | | |
| 7 | Start Relay | UC/WT | 3A9523-01 | 1 | 1 | | | | | |
| | | Prep Table | 3A9476-01 | 1 | 1 | | | | | |
| 8 | Start Capacitor | UC/WT 145-175MFD, 250VAC | 3A9524-01 | 1 | 1 | | | | | |
| | Run Capacitor | Prep Table 12MFD, 250VAC | 3A9477-01 | 1 | 1 | | | | | |
| 9 | Drier | | 4A5576-01 | 1 | 1 | | | | | |
| 10 | Cabinet Thermistor | UC/WT/Prep Tables | 4A4864-01 | 1 | 1 | | | | | |
| 11 | Evaporator | | 2A8513-01 | 1 | 1 | | | | | |
| 12 | Evaporator Fan Motor | | 4A5343-01 | 1 | 1 | | | | | |
| 13 | Capillary Tube Replacement Kit | L=2438mm | SP-5437 | 1 | 1 | | | | | |
| 14 | Defrost Thermistor | Prep Table | 4A4865-01 | 1 | 1 | | | | | |
| 15 | Defrost Heater | Prep Table | 3A6443-05 | 1 | 1 | | | | | |
| 16 | Defrost Safety Thermostat | Prep Table | 4A5853-01 | 1 | 1 | | | | | |
| 17 | High-Pressure Switch | | 4A6039-01 | 1 | 1 | | | | | |

B. Refrigeration Circuit

UF27 and WF27 Undercounter and Worktop

G-5 to K-5



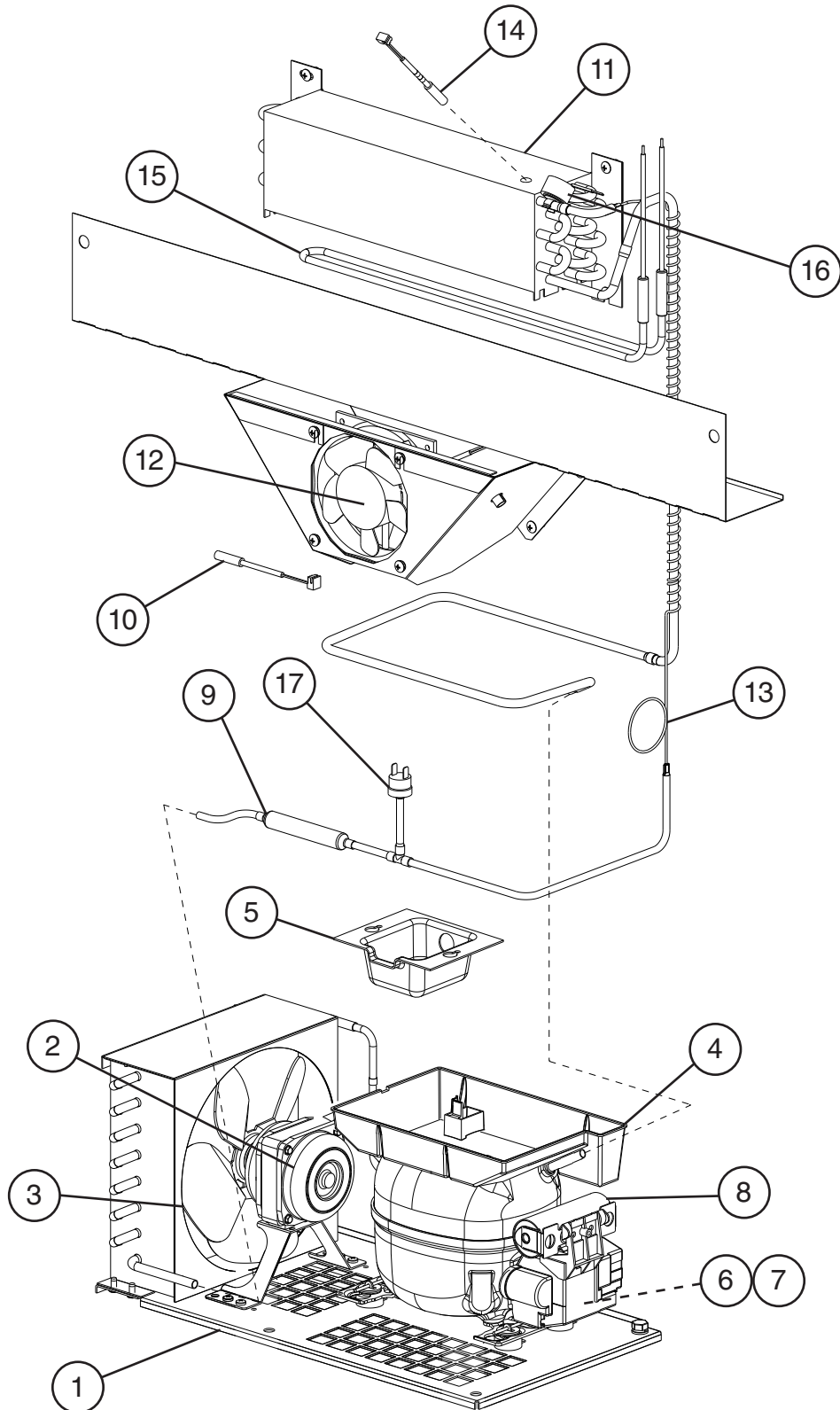
For compressor or condenser replacement, order item 1.

| Title: B. Refrigeration Circuit Models: UF27 and WF27 Undercounter and Worktop | | | | | | | | | | | |
|---|---|-------------------------------|-------------|------------|-----------------|--|--|--|--|--|--|
| Index No. | Description | Material or Model Number | Part Number | G-5 to K-5 | Required Number | | | | | | |
| | | | | | | | | | | | |
| 1 | Condensing Unit (includes compressor, condenser, and items 2 through 7; compressor and condenser are not sold individually) | | 3A9316-01 | 1 | | | | | | | |
| 2 | Condenser Fan Motor | | 3A6798-01 | 1 | | | | | | | |
| 3 | Condenser Fan Blade | | 3A6799-01 | 1 | | | | | | | |
| 4 | Condensate Pan | | 3A9478-01 | 1 | | | | | | | |
| 5 | Drain Cup | | 3A9702-01 | 1 | | | | | | | |
| 6 | Compressor External Protector | | 3A9475-01 | 1 | | | | | | | |
| 7 | Start Relay | | 3A9476-01 | 1 | | | | | | | |
| 8 | Run Capacitor | UC/WT 12MFD, 250VAC | 3A9477-01 | | | | | | | | |
| 9 | Drier | | 4A5576-01 | 1 | | | | | | | |
| 10 | Cabinet Thermistor | | 4A4864-01 | 1 | | | | | | | |
| 11 | Evaporator | | 2A8513-01 | 1 | | | | | | | |
| 12 | Evaporator Fan Motor | | 4A5343-01 | 1 | | | | | | | |
| 13 | Capillary Tube Replacement Kit | L=1499mm | SP-5436 | 1 | | | | | | | |
| 14 | Defrost Thermistor | | 4A4865-01 | 1 | | | | | | | |
| 15 | Defrost Heater | | 3A6443-05 | 1 | | | | | | | |
| 16 | Defrost Safety Thermostat | | 4A0954-02 | 1 | | | | | | | |
| 17 | High-Pressure Switch | | 4A6039-01 | 1 | | | | | | | |

B. Refrigeration Circuit

UR36, WR36, and SR36 Undercounter, Worktop, and Prep Table

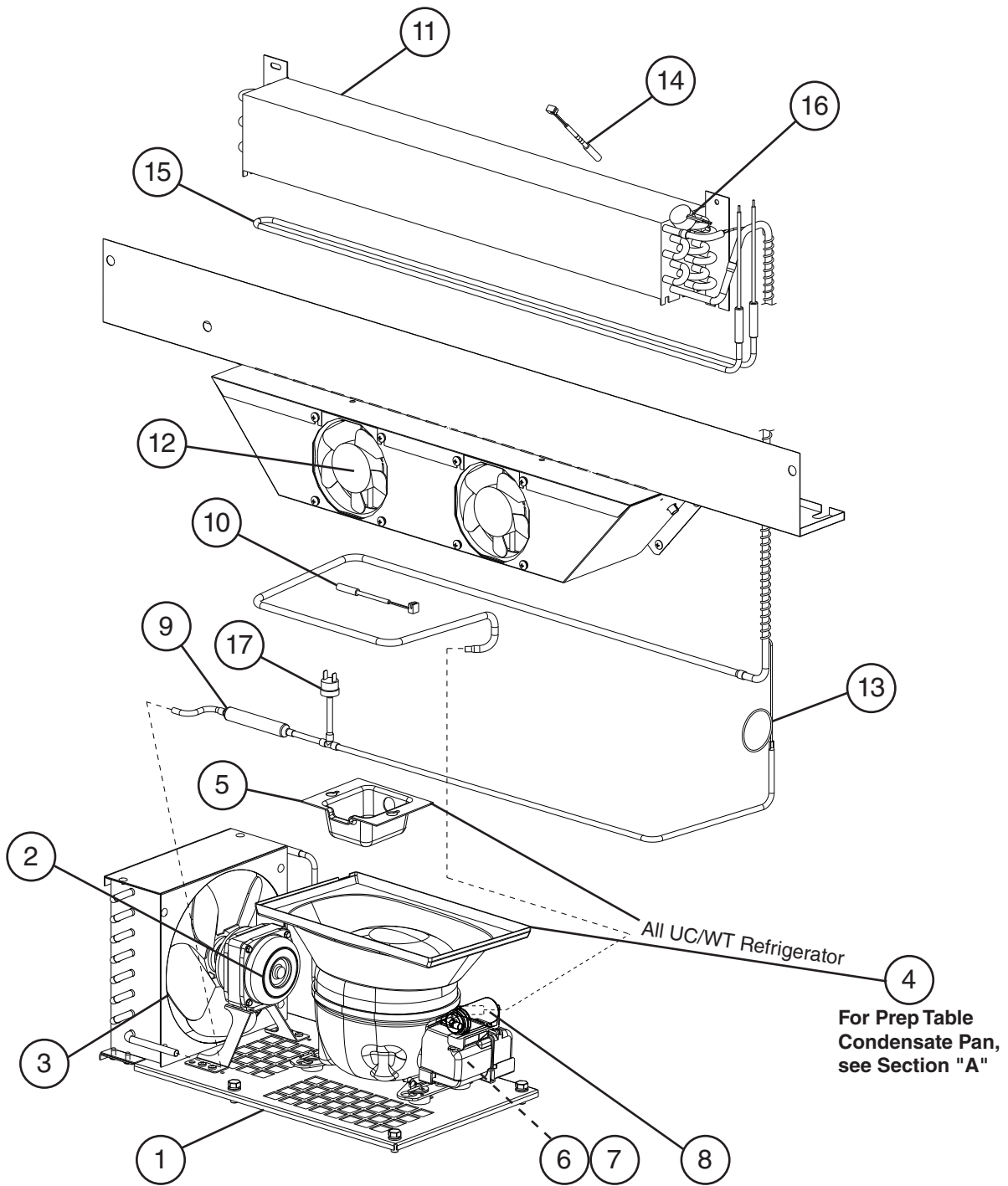
G-5 to K-5



For compressor or condenser replacement, order item 1.

| Title: B. Refrigeration Circuit Models: UR36, WR36, SR36 Undercounter, Worktop, Prep Table | | | | | | | | | | | | |
|---|---|--------------------------|-------------|-----------------|--|--|--|--|--|--|--|--|
| Index No. | Description | Material or Model Number | Part Number | Required Number | | | | | | | | |
| | | | | G-5 to K-5 | | | | | | | | |
| 1 | Condensing Unit (includes compressor, condenser, and items 2 through 8; compressor and condenser are not sold individually) | UC/WT/Prep Table | 3A9520-01 | 1 | | | | | | | | |
| 2 | Condenser Fan Motor | | 3A6798-01 | 1 | | | | | | | | |
| 3 | Condenser Fan Blade | | 3A6799-01 | 1 | | | | | | | | |
| 4 | Condensate Pan | | 3A6758-01 | 1 | | | | | | | | |
| 5 | Drain Cup | | 3A9702-01 | 1 | | | | | | | | |
| 6 | Compressor External Protector | | 3A9522-01 | 1 | | | | | | | | |
| 7 | Start Relay | | 3A9523-01 | 1 | | | | | | | | |
| 8 | Start Capacitor | 145-175MFD, 250VAC | 3A9524-01 | 1 | | | | | | | | |
| 9 | Drier | | 4A5576-01 | 1 | | | | | | | | |
| 10 | Cabinet Thermistor | | 4A4864-01 | 1 | | | | | | | | |
| 11 | Evaporator | | 2A8513-01 | 1 | | | | | | | | |
| 12 | Evaporator Fan Motor | | 4A5343-01 | 1 | | | | | | | | |
| 13 | Capillary Tube (includes: capillary tube, drier, cover, insulation) | L=2438mm | SP-5438 | 1 | | | | | | | | |
| 14 | Defrost Thermistor | Prep Table | 4A4865-01 | 1 | | | | | | | | |
| 15 | Defrost Heater | Prep Table | 3A6443-05 | 1 | | | | | | | | |
| 16 | Defrost Safety Thermostat (thermodisc) | Prep Table | 4A5853-01 | 1 | | | | | | | | |
| 17 | High-Pressure Switch | | 4A6039-01 | 1 | | | | | | | | |

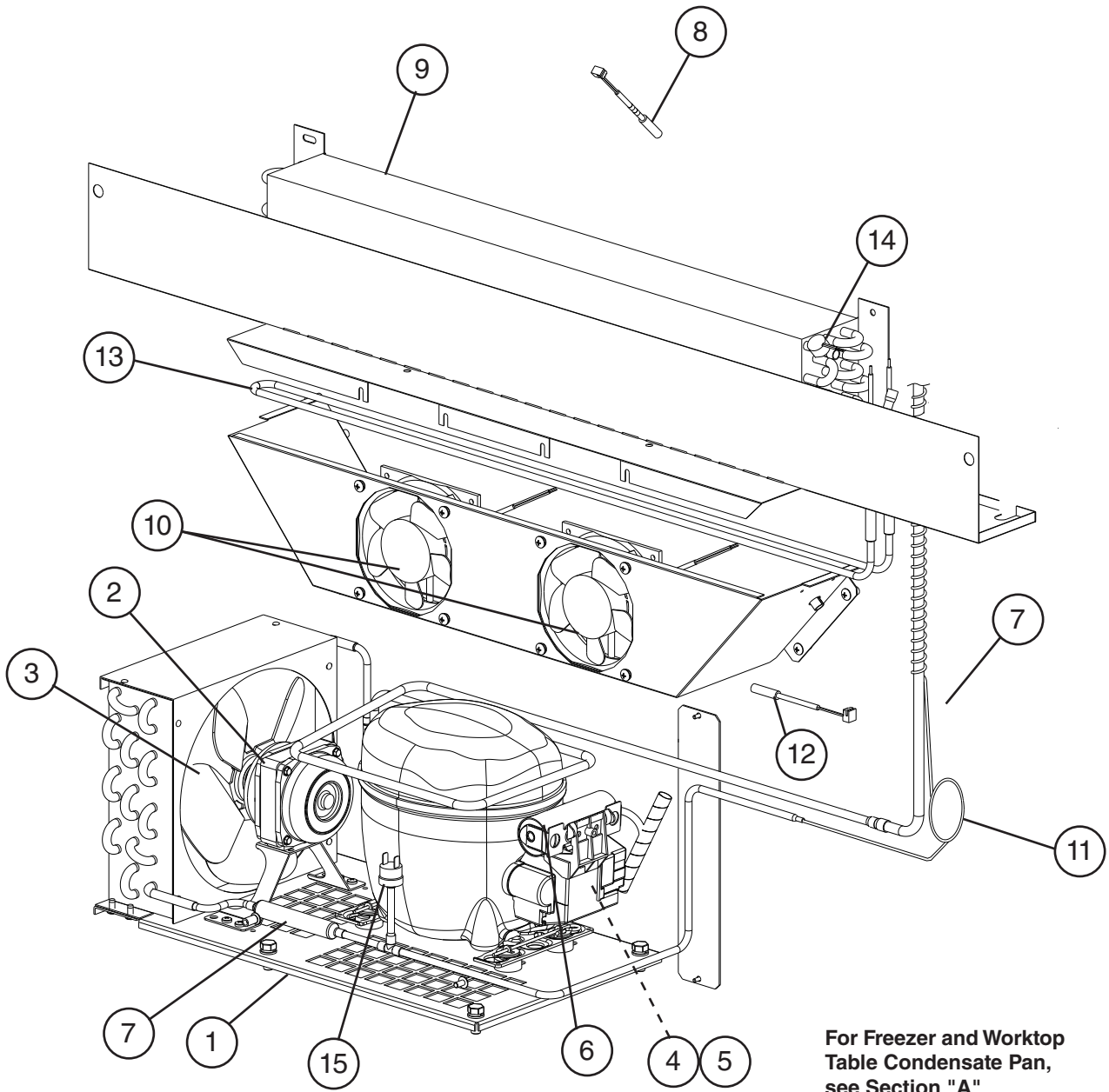
B. Refrigeration Circuit
UR48, WR48, and SR48 Undercounter, Worktop, and Prep Table
 G-5 to K-5



For compressor or condenser replacement, order item 1.

| Title: B. Refrigeration Circuit Models: UR48, WR48, and SR48 Undercounter, Worktop, and Prep Table | | | | | | | | | | | | |
|--|---|--------------------------------|-------------|------------|-----------------|--|--|--|--|--|--|--|
| Index No. | Description | Material or Model Number | Part Number | G-5 to K-5 | Required Number | | | | | | | |
| | | | | | | | | | | | | |
| 1 | Condensing Unit (includes compressor, condenser, and items 2 through 8; compressor and condenser are not sold individually) | UC/WT | 3A9520-01 | 1 | | | | | | | | |
| | | Prep Table | 3A9316-01 | 1 | | | | | | | | |
| 2 | Condenser Fan Motor | | 3A6798-01 | 1 | | | | | | | | |
| 3 | Condenser Fan Blade | | 3A6799-01 | 1 | | | | | | | | |
| 4 | Condensate Pan | UC/WT | 3A6758-01 | 1 | | | | | | | | |
| 5 | Drain Cup | Refrigerators | 3A9702-01 | 1 | | | | | | | | |
| 6 | Compressor External Protector | UC/WT | 3A9522-01 | 1 | | | | | | | | |
| | | Prep Table | 3A9475-01 | 1 | | | | | | | | |
| 7 | Start Relay | UC/WT | 3A9523-01 | 1 | | | | | | | | |
| | | Prep Table | 3A9476-01 | 1 | | | | | | | | |
| 8 | Start Capacitor | UC/WT 145-175MFD, 250VAC | 3A9524-01 | 1 | | | | | | | | |
| | Run Capacitor | Prep Table 12MFD, 250VAC | 3A9477-01 | 1 | | | | | | | | |
| 9 | Drier | | 4A5576-01 | 1 | | | | | | | | |
| 10 | Cabinet Thermistor | | 4A4864-01 | 1 | | | | | | | | |
| 11 | Evaporator | | 2A8513-02 | 1 | | | | | | | | |
| 12 | Evaporator Fan Motor | | 4A5343-01 | 2 | | | | | | | | |
| 13 | Capillary Tube Replacement Kit | UC/WT L=2684mm | SP-5437 | 1 | | | | | | | | |
| | | Prep Table L=3584mm | SP-5438 | 1 | | | | | | | | |
| 14 | Defrost Thermistor | Prep Table | 4A4865-01 | 1 | | | | | | | | |
| 15 | Defrost Heater | Prep Table | 3A6443-04 | 1 | | | | | | | | |
| 16 | Defrost Safety Thermostat | Prep Table | 4A5853-01 | 1 | | | | | | | | |
| 17 | High-Pressure Switch | | 4A6039-01 | 1 | | | | | | | | |

B. Refrigeration Circuit
UF48 and WF48 Undercounter and Worktop
 G-5 to K-5



For Freezer and Worktop
 Table Condensate Pan,
 see Section "A"

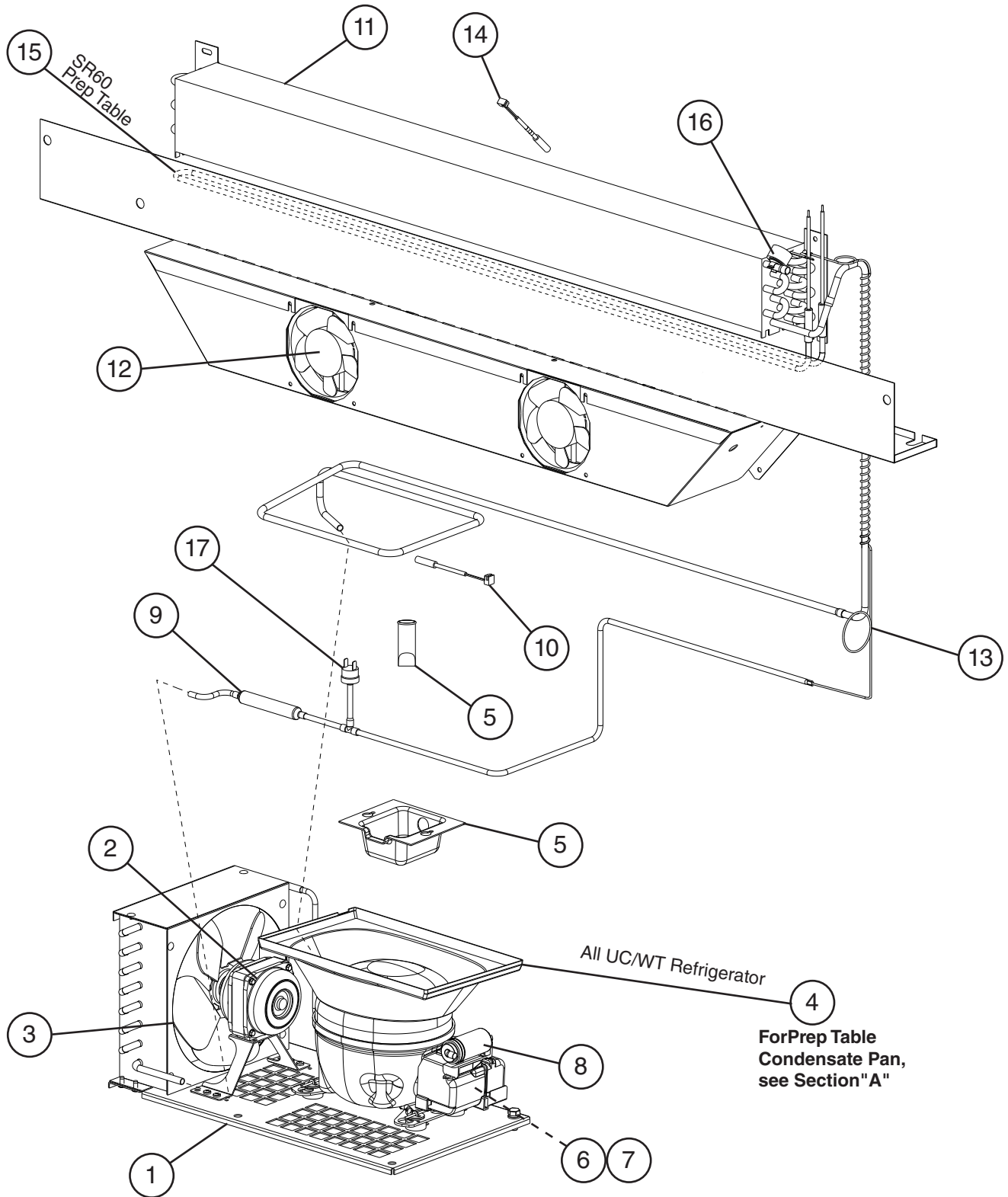
For compressor or condenser replacement, order item 1.

| Title: B. Refrigeration Circuit Models: UF48 and WF48 Undercounter and Worktop | | | | | | | | | | | | |
|---|--|--------------------------|-------------|------------|-----------------|--|--|--|--|--|--|--|
| Index No. | Description | Material or Model Number | Part Number | G-5 to K-5 | Required Number | | | | | | | |
| | | | | | | | | | | | | |
| 1 | Condensing Unit (includes compressor, condenser, and items 2 through 6; compressor and condenser are not sold individually) | | 3A9313-01 | 1 | | | | | | | | |
| 2 | Condenser Fan Motor | | 3A6798-01 | 1 | | | | | | | | |
| 3 | Condenser Fan Blade | | 3A6799-01 | 1 | | | | | | | | |
| 4 | Compressor External Protector | | 3A6936-01 | 1 | | | | | | | | |
| 5 | Start Relay | | 3A6937-01 | 1 | | | | | | | | |
| 6 | Start Capacitor | 378-454MFD, 115VAC | 3A6938-01 | 1 | | | | | | | | |
| 7 | Drier | | 4A5576-01 | 1 | | | | | | | | |
| 8 | Cabinet Thermistor | | 4A4864-01 | 1 | | | | | | | | |
| 9 | Evaporator | | 2A8513-02 | 1 | | | | | | | | |
| 10 | Evaporator Fan Motor | | 4A5343-01 | 2 | | | | | | | | |
| 11 | Capillary Tube Replacement Kit | L=1829mm | SP-5435 | 1 | | | | | | | | |
| 12 | Defrost Thermistor | | 4A4865-01 | 1 | | | | | | | | |
| 13 | Defrost Heater | | 3A6443-04 | 1 | | | | | | | | |
| 14 | Defrost Safety Thermostat | | 4A5853-01 | 1 | | | | | | | | |
| 15 | High-Pressure Switch | | 4A6039-01 | 1 | | | | | | | | |

B. Refrigeration Circuit

UR60, WR60, and SR60 Undercounter, Worktop, and Prep Table

G-5 to K-5



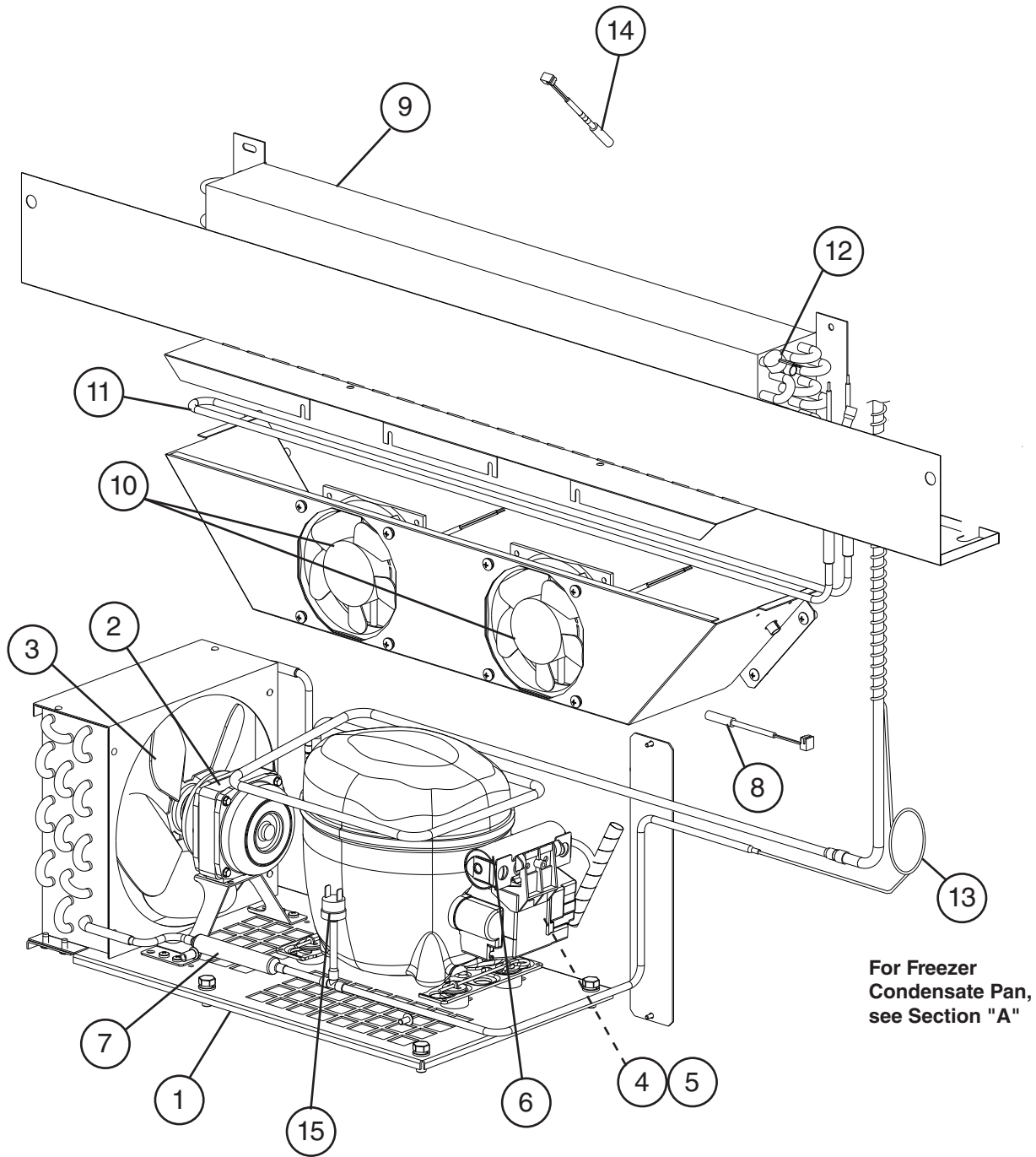
For compressor or condenser replacement, order item 1.

| Title: B. Refrigeration Circuit Models: UR60, WR60, and SR60 Undercounter, Worktop, and Prep Table | | | | | | | | | | | |
|--|---|-------------------------------------|-------------|-----------------|----------------|--|--|--|--|--|--|
| Index No. | Description | Material or Model Number | Part Number | Required Number | | | | | | | |
| | | | | G-5 to H-5 (K) | H-5 (L) to K-5 | | | | | | |
| 1 | Condensing Unit (includes compressor, condenser, and items 2 through 8; compressor and condenser are not sold individually) | UC/WT | 3A9316-01 | 1 | 1 | | | | | | |
| | | Prep Table | 3A9313-01 | 1 | 1 | | | | | | |
| 2 | Condenser Fan Motor | | 3A6798-01 | 1 | 1 | | | | | | |
| 3 | Condenser Fan Blade | | 3A6799-01 | 1 | 1 | | | | | | |
| 4 | Condensate Pan | UC/WT | 3A9478-01 | 1 | 1 | | | | | | |
| 5 | Duct Bill | UC/WT | SP-5345 | 1 | - | | | | | | |
| | Drain Cup | | 3A9702-01 | | 1 | | | | | | |
| 6 | Compressor External Protector | UC/WT | 3A9475-01 | 1 | 1 | | | | | | |
| | | Prep Table | 3A6936-01 | 1 | 1 | | | | | | |
| 7 | Start Relay | UC/WT | 3A9476-01 | 1 | 1 | | | | | | |
| | | Prep Table | 3A6937-01 | 1 | 1 | | | | | | |
| 8 | Run Capacitor | UC/WT 12MFD, 250VAC | 3A9477-01 | 1 | 1 | | | | | | |
| | Start Capacitor | Prep Table 378-454MFD, 115VAC | 3A6938-01 | 1 | 1 | | | | | | |
| 9 | Drier | | 4A5576-01 | 1 | 1 | | | | | | |
| 10 | Cabinet Thermistor | UC/WT/Prep Table | 4A4864-02 | 1 | 1 | | | | | | |
| 11 | Evaporator | | 2A8513-03 | 1 | 1 | | | | | | |
| 12 | Evaporator Fan Motor | | 4A5343-01 | 2 | 2 | | | | | | |
| 13 | Capillary Tube Replacement Kit | UC/WT/Prep Table L=2184mm | SP-5434 | 1 | 1 | | | | | | |
| 14 | Defrost Thermistor | Prep Table | 4A4865-02 | 1 | 1 | | | | | | |
| 15 | Defrost Heater | Prep Table | 3A6443-06 | 1 | 1 | | | | | | |
| 16 | Defrost Thermostat | Prep Table | 4A5853-01 | 1 | 1 | | | | | | |
| 17 | High-Pressure Switch | Prep Table | 4A6039-01 | 1 | 1 | | | | | | |

B. Refrigeration Circuit

UF60 and WF60 Undercounter and Worktop

G-5 to K-5



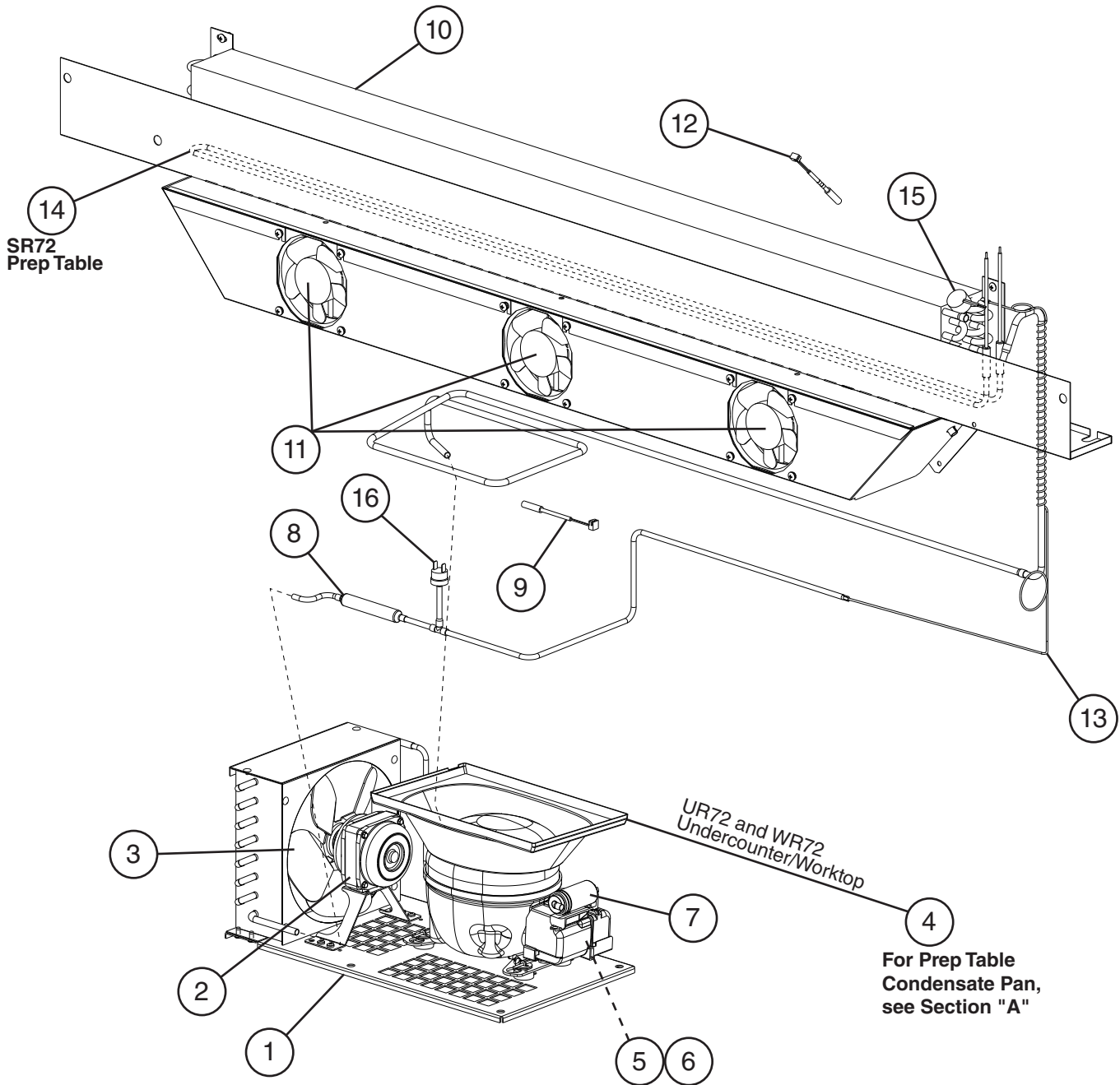
For compressor or condenser replacement, order item 1.

| Title: B. Refrigeration Circuit Models: UF60 and WF60 Undercounter and Worktop | | | | | | | | | | | | |
|---|--|--------------------------|-------------|------------|-----------------|--|--|--|--|--|--|--|
| Index No. | Description | Material or Model Number | Part Number | G-5 to K-5 | Required Number | | | | | | | |
| | | | | | | | | | | | | |
| 1 | Condensing Unit (includes compressor, condenser, and items 2 through 6; compressor and condenser are not sold individually) | | 3A9313-01 | 1 | | | | | | | | |
| 2 | Condenser Fan Motor | | 3A6798-01 | 1 | | | | | | | | |
| 3 | Condenser Fan Blade | | 3A6799-01 | 1 | | | | | | | | |
| 4 | Compressor External Protector | | 3A6936-01 | 1 | | | | | | | | |
| 5 | Start Relay | | 3A6937-01 | 1 | | | | | | | | |
| 6 | Start Capacitor | 378-454MFD, 115VAC | 3A6938-01 | 1 | | | | | | | | |
| 7 | Drier | | 4A5576-01 | 1 | | | | | | | | |
| 8 | Cabinet Thermistor | | 4A4864-02 | 1 | | | | | | | | |
| 9 | Evaporator | | 2A8513-03 | 1 | | | | | | | | |
| 10 | Evaporator Fan Motor | | 4A5343-01 | 2 | | | | | | | | |
| 11 | Defrost Heater | | 3A6443-06 | 1 | | | | | | | | |
| 12 | Defrost Thermostat | | 4A5853-01 | 1 | | | | | | | | |
| 13 | Capillary Tube Replacement Kit | L=1829mm | SP-5435 | 1 | | | | | | | | |
| 14 | Defrost Thermistor | | 4A4865-02 | 1 | | | | | | | | |
| 15 | High-Pressure Switch | | 4A6039-01 | 1 | | | | | | | | |

B. Refrigeration Circuit

UR72, WR72, and SR72 Undercounter, Worktop, Prep Table

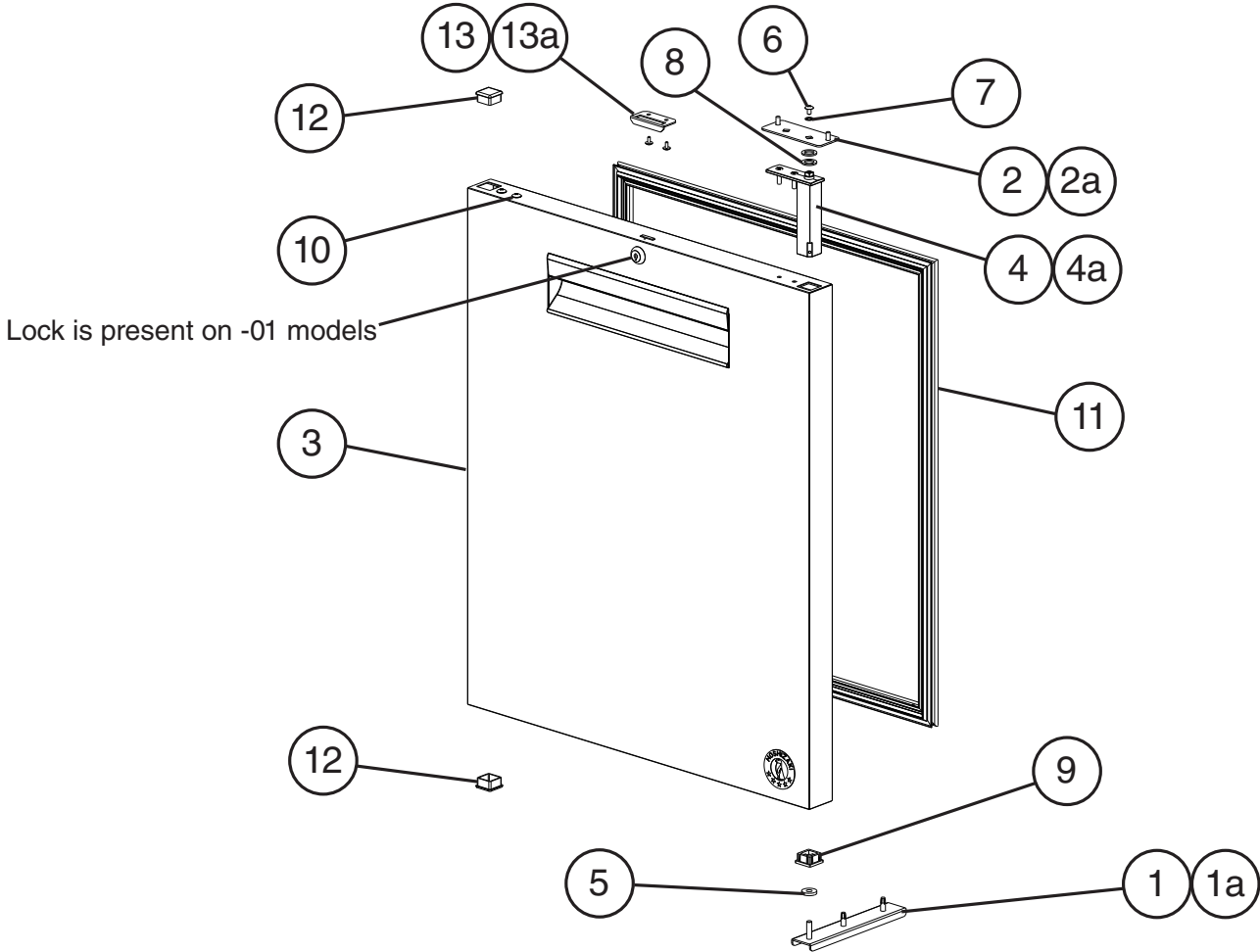
G-5 to K-5



For compressor or condenser replacement, order item 1.

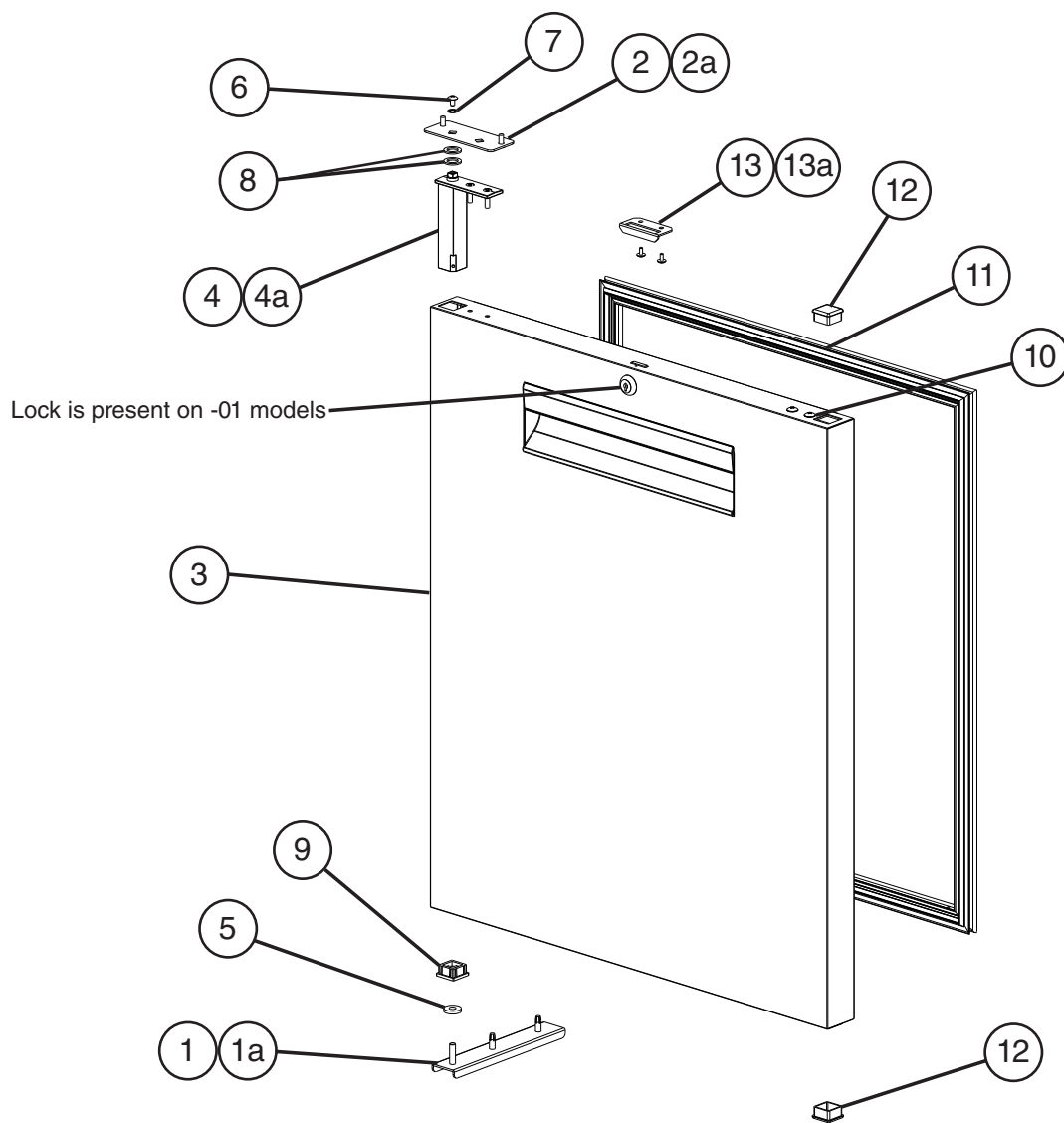
| Title: B. Refrigeration Circuit Models: UR72, WR72, and SR72 Undercounter, Worktop, and Prep Table | | | | | | | | | | | |
|--|--|--|-------------|------------|-----------------|--|--|--|--|--|--|
| Index No. | Description | Material or Model Number | Part Number | G-5 to K-5 | Required Number | | | | | | |
| | | | | | | | | | | | |
| 1 | Condensing Unit (includes compressor, condenser, and items 2 through 7; compressor and condenser are not sold individually) | UC/WT | 3A9316-01 | 1 | | | | | | | |
| | | Prep Table | 3A9313-01 | 1 | | | | | | | |
| 2 | Condenser Fan Motor | | 3A6798-01 | 1 | | | | | | | |
| 3 | Condenser Fan Blade | | 3A6799-01 | 1 | | | | | | | |
| 4 | Condensate Pan | UC/WT | 3A9478-01 | 1 | | | | | | | |
| 5 | Compressor External Protector | UC/WT | 3A9475-01 | 1 | | | | | | | |
| | | Prep Table | 3A6936-01 | 1 | | | | | | | |
| 6 | Start Relay | UC/WT | 3A9476-01 | 1 | | | | | | | |
| | | Prep Table | 3A6937-01 | 1 | | | | | | | |
| 7 | Run Capacitor | UC/WT 12MFD, 250VAC | 3A9477-01 | 1 | | | | | | | |
| | Start Capacitor | Prep Table 378-454MFD, 115VAC | 3A6938-01 | 1 | | | | | | | |
| 8 | Drier | | 4A5576-01 | 1 | | | | | | | |
| 9 | Cabinet Thermistor | UC/WT/Prep Table | 4A4864-02 | 1 | | | | | | | |
| 10 | Evaporator | | 2A8513-04 | 1 | | | | | | | |
| 11 | Evaporator Fan Motor | | 4A5343-01 | 3 | | | | | | | |
| 12 | Capillary Tube Replacement Kit | UC/WT L=3584mm | SP-5437 | 1 | | | | | | | |
| | | Prep Table L=2184mm | SP-5434 | 1 | | | | | | | |
| 13 | Defrost Thermister | Prep Table | 4A4865-02 | 1 | | | | | | | |
| 14 | Defrost Heater | Prep Table | 3A6443-07 | 1 | | | | | | | |
| 15 | Defrost Safety Thermostat | Prep Table | 4A5853-01 | 1 | | | | | | | |
| 16 | High-Pressure Switch | Prep Table | 4A6039-01 | 1 | | | | | | | |

C. Door-Right Hinged
Undercounter, Worktop, Prep Table
G-5 to K-5



| Title: C. Door-Right Hinged Models: Undercounter, Worktop, Prep Table | | | | | | | | | | | |
|---|---|--|-------------|------------|-----------------|--|--|--|--|--|--|
| Index No. | Description | Material or Model Number | Part Number | G-5 to K-5 | Required Number | | | | | | |
| | | | | | | | | | | | |
| 1 | Lower Hinge Bracket | | 3A6681G01 | 1 | | | | | | | |
| 1a | Hex Head Tapping Bolt | 1/4-20x3/4 | 4A5213-01 | 2 | | | | | | | |
| 2 | Upper Hinge Bracket | | 3A6810-01 | 1 | | | | | | | |
| 2a | Truss Head Screw | 5x12, SS | 7C32-0512 | 2 | | | | | | | |
| 3 | Door Assembly without Locks (includes items 4 through 12) | _R27A and _F27A, (All except -01, -LPW, and -GLP) | 2A7322G01 | 1 | | | | | | | |
| | | UR27A-LPW | 2A8635G01 | 1 | | | | | | | |
| | | _R36A, _R60A and _F60A UC/WT/Prep Table (All except -01) | 2A7328G01 | 1 | | | | | | | |
| | | _R48A, _F48A, and _R72A UC/WT/Prep Table (All except -01) | 2A7324G01 | 1 | | | | | | | |
| | Door Assembly with Locks (includes items 4 through 12) | _R27A-01 and _F27A-01 | 2A7323G01 | 1 | | | | | | | |
| | | _R36A-01, _R60A-01, and _F60A-01 | 2A8291G01 | 1 | | | | | | | |
| _R48A-01, _F48A-01 and _R72A-01 | | 2A7327G01 | 1 | | | | | | | | |
| 4 | Hinge Spring Cartridge (includes items 5 through 9) | | 3A9206-01 | 1 | | | | | | | |
| 4a | Countersunk Screw | 5x20, SS | 7C42-0520 | 2 | | | | | | | |
| 5 | Thrust Washer | | 4A5234-01 | 1 | | | | | | | |
| 6 | Screw | | 4A5230-01 | 1 | | | | | | | |
| 7 | Lockwasher | | 4A5231-01 | 1 | | | | | | | |
| 8 | Thrust Washer | | 4A5233-01 | 2 | | | | | | | |
| 9 | Bearing | | 4A5232-01 | 1 | | | | | | | |
| 10 | Truss Head Screw (filler screws) | 5x10, SS | 7C32-0510 | 2 | | | | | | | |
| 11 | Gasket | _R27A and _F27A, UC/WT/Prep Table | 2A6996-05 | 1 | | | | | | | |
| | | _R36A, _R60A, and _F60A UC/WT/Prep Table | 2A6996-09 | 1 | | | | | | | |
| | | _R48A, _F48A, and _R72A UC/WT/Prep Table | 2A6996-06 | 1 | | | | | | | |
| 12 | End Cap | | 4A5432-01 | 2 | | | | | | | |
| 13 | Strike Plate for Doors with Locks | -01 UC/WT | 4A5493-01 | 1 | | | | | | | |
| 13a | T2 Screw | -01 UC/WT 4x8, SS | 7P32-0408 | 2 | | | | | | | |

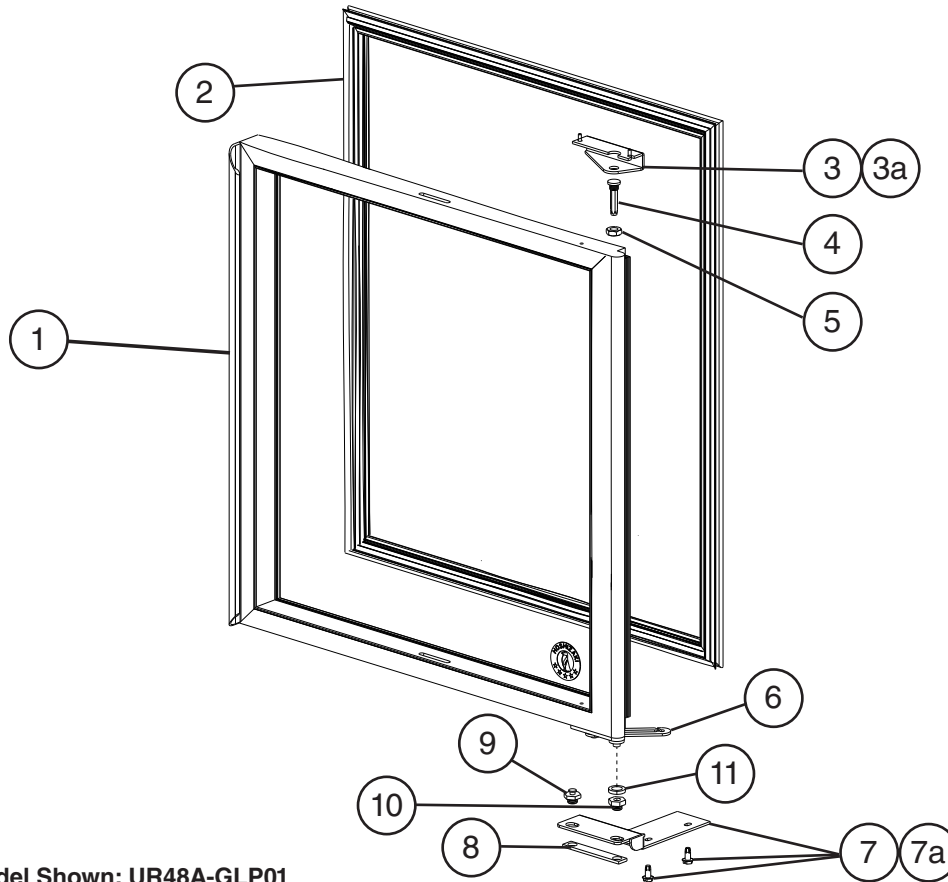
D. Door-Left Hinged Undercounter, Worktop, Prep Table G-5 to K-5



| Title: D. Door-Left Hinged Models: Undercounter, Worktop, Prep Table | | | | | | | | | | | | |
|--|---|--|-------------|------------|-----------------|--|--|--|--|--|--|--|
| Index No. | Description | Material or Model Number | Part Number | G-5 to K-5 | Required Number | | | | | | | |
| | | | | | | | | | | | | |
| 1 | Lower Hinge Bracket | | 3A6681G01 | 1 | | | | | | | | |
| 1a | Hex Head Tapping Bolt | 1/4-20x3/4 | 4A5213-01 | 2 | | | | | | | | |
| 2 | Upper Hinge Bracket | | 3A6810-01 | 1 | | | | | | | | |
| 2a | Truss Head Screw | 5x12, SS | 7C32-0512 | 2 | | | | | | | | |
| 3 | Door Assembly without Locks (includes items 4 through 12) | _R48A, _F48A, and _R72A UC/WT/Prep Table (All except -01) | 2A7325G01 | 1 | | | | | | | | |
| | | _R60 and _F60A UC/WT/Prep Table (All except -01) | 2A7329G01 | 1 | | | | | | | | |
| | Door Assembly with Locks (includes items 4 through 12) | _R60A-01 and _F60A-01 | 2A8293G01 | 1 | | | | | | | | |
| | | _R48A-01, _F48A-01, and _R72A-01 | 2A7326G01 | 1 | | | | | | | | |
| 4 | Hinge Spring Cartridge (includes items 5 through 9) | | 3A9206-01 | 1 | | | | | | | | |
| 4a | Countersunk Screw | 5x20, SS | 7C42-0520 | 2 | | | | | | | | |
| 5 | Thrust Washer | | 4A5234-01 | 1 | | | | | | | | |
| 6 | Screw | | 4A5230-01 | 1 | | | | | | | | |
| 7 | Lockwasher | | 4A5231-01 | 1 | | | | | | | | |
| 8 | Thrust Washer | | 4A5233-01 | 2 | | | | | | | | |
| 9 | Bearing | | 4A5232-01 | 1 | | | | | | | | |
| 10 | Truss Head Screw (filler screws) | 5x10, SS | 7C32-0510 | 2 | | | | | | | | |
| 11 | Gasket | _R48A, _F48A, and _R72A UC/WT/Prep Table | 2A6996-06 | 1 | | | | | | | | |
| | | _F60A UC/WT/Prep Table | 2A6996-09 | 1 | | | | | | | | |
| 12 | End Cap | | 4A5432-01 | 2 | | | | | | | | |
| 13 | Strike Plate for Doors with Locks | -01 UC/WT | 4A5493-01 | 1 | | | | | | | | |
| 13a | T2 Screw | -01 UC/WT 4x8, SS | 7P32-0408 | 2 | | | | | | | | |

E. Door-Right Glass Door Hinged Undercounter, Worktop, Prep Table

G-5 to K-5

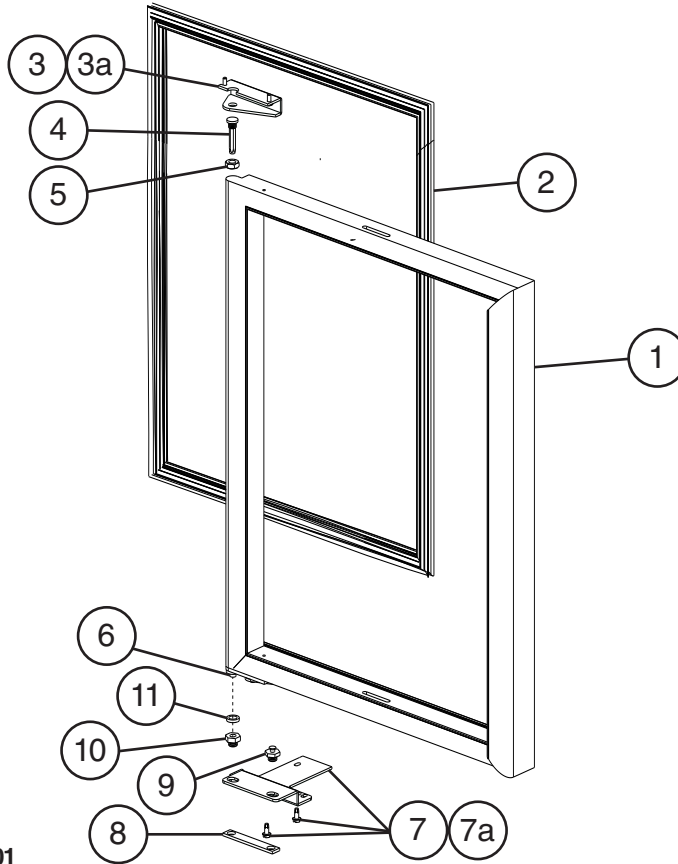


Model Shown: UR48A-GLP01

| Title: E. Door-Right Glass Door Hinged Models: Undercounter, Worktop, Prep Table | | | | | Required Number | | | | | | | | |
|--|---|---|-------------|------------|-----------------|--|--|--|--|--|--|--|--|
| Index No. | Description | Material or Model Number | Part Number | G-5 to K-5 | | | | | | | | | |
| 1 | Door (includes gasket and hinge arm) | UR27A-GLP01 | 2A8853-03 | 1 | | | | | | | | | |
| | | UF27A-GLP01 | 2A8853-04 | 1 | | | | | | | | | |
| | | UR48A-GLP01 Right Side Hinged Door | 2A8852-03 | 1 | | | | | | | | | |
| 2 | Gasket | U_27A-GLP01 | 4A6448-01 | 1 | | | | | | | | | |
| | | UR48A-GLP01 | 4A6449-01 | 1 | | | | | | | | | |
| 3 | Upper Hinge | | 3A9346-02 | 1 | | | | | | | | | |
| 3a | Truss Head Screw | 5x12, SS | 7C32-0512 | 2 | | | | | | | | | |
| 4 | Hinge Pin | | 3A7946-04 | 1 | | | | | | | | | |
| 5 | Hinge Pin Locknut | | 3A7946-05 | 1 | | | | | | | | | |
| 6 | Hinge Arm | | 3A7946-01 | 1 | | | | | | | | | |
| 7 | Lower Hinge | | 3A9342-01 | 1 | | | | | | | | | |
| 7a | Hex Head Tapping Bolt | 1/4-20x3/4 | 4A5213-01 | 2 | | | | | | | | | |
| 8 | Backer Plate | | 3A7946-08 | 1 | | | | | | | | | |
| 9 | Slide Pin | | 3A7946-11 | 1 | | | | | | | | | |
| 10 | Hinge Bushing | | 3A7946-09 | 1 | | | | | | | | | |
| 11 | Nylon Washer | | 3A7946-10 | 1 | | | | | | | | | |

F. Door-Left Glass Door Hinged Undercounter, Worktop, Prep Table

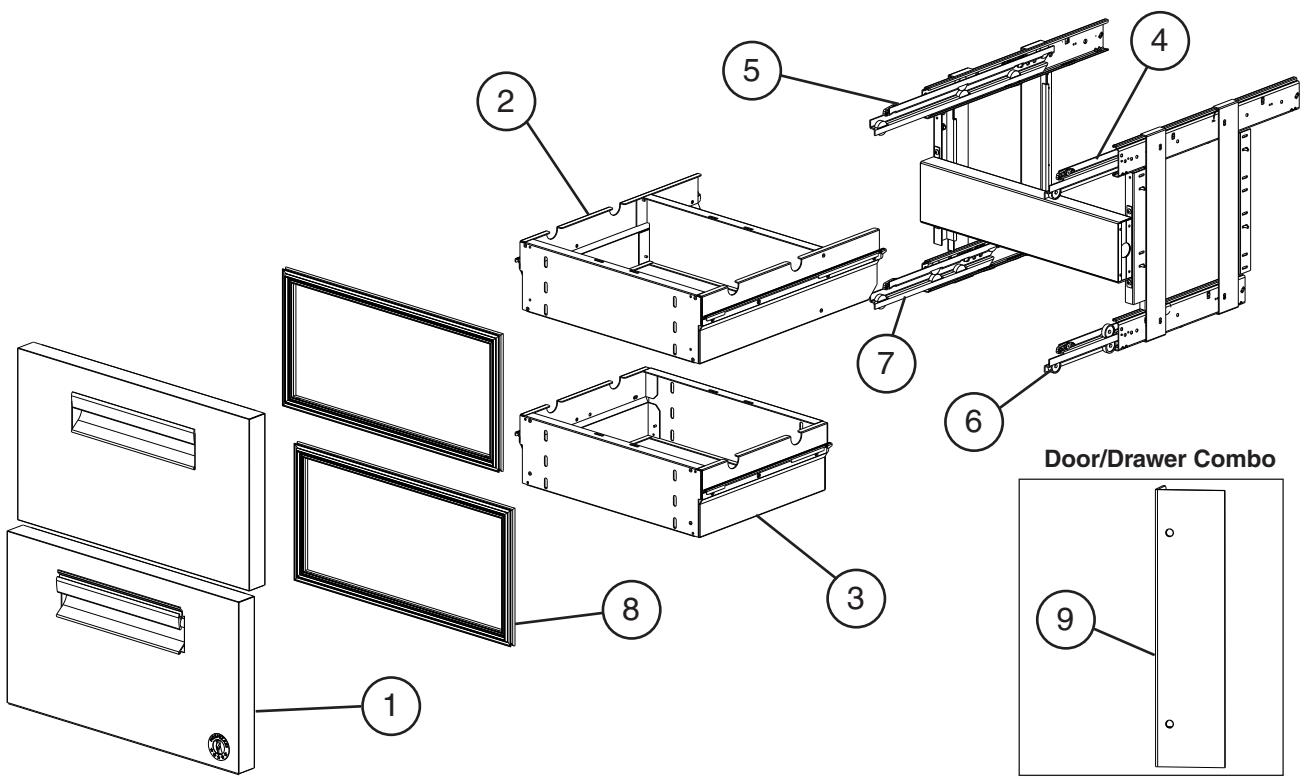
G-5 to K-5



Model Shown: UR48A-GLP01

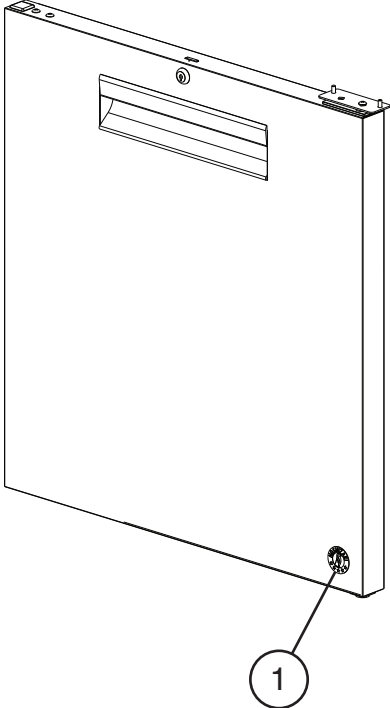
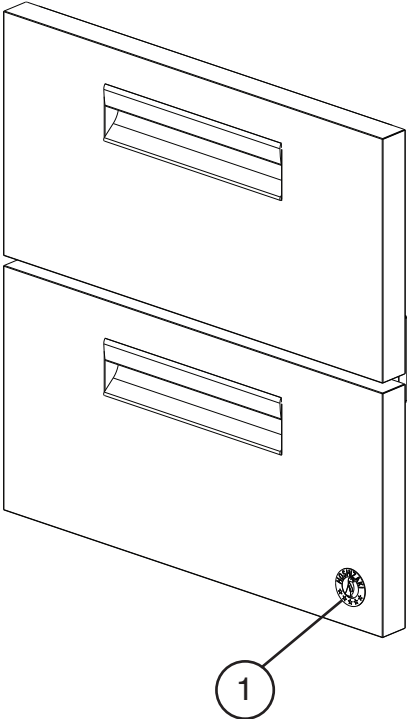
| Title: F. Door-Left Glass Door Hinged Models: Undercounter, Worktop, Prep Table | | | | | Required Number | | | | | | | | | | | | |
|---|---|--|-------------|------------|-----------------|--|--|--|--|--|--|--|--|--|--|--|--|
| Index No. | Description | Material or Model Number | Part Number | G-5 to K-5 | | | | | | | | | | | | | |
| 1 | Door (includes gasket and hinge arm) | UR48A-GLP01 Left Side Hinged Door | 2A8852-01 | 1 | | | | | | | | | | | | | |
| 2 | Gasket | UR48A-GLP01 | 4A6449-01 | 1 | | | | | | | | | | | | | |
| 3 | Upper Hinge | | 3A9346-01 | 1 | | | | | | | | | | | | | |
| 3a | Truss Head Screw | 5x12, SS | 7C32-0512 | 2 | | | | | | | | | | | | | |
| 4 | Hinge Pin | | 3A7946-04 | 1 | | | | | | | | | | | | | |
| 5 | Hinge Pin Locknut | | 3A7946-05 | 1 | | | | | | | | | | | | | |
| 6 | Hinge Arm | | 3A7946-01 | 1 | | | | | | | | | | | | | |
| 7 | Lower Hinge | | 3A9342-02 | 1 | | | | | | | | | | | | | |
| 7a | Hex Head Tapping Bolt | 1/4-20x3/4 | 4A5213-01 | 2 | | | | | | | | | | | | | |
| 8 | Backer Plate | | 3A7946-08 | 1 | | | | | | | | | | | | | |
| 9 | Slide Pin | | 3A7946-11 | 1 | | | | | | | | | | | | | |
| 10 | Hinge Bushing | | 3A7946-09 | 1 | | | | | | | | | | | | | |
| 11 | Nylon Washer | | 3A7946-10 | 1 | | | | | | | | | | | | | |

G. Drawer
Undercounter, Worktop, Prep Table (-D)(-D2)(-D4)(-D6)
G-5 to K-5



| Title: G. Drawer Models: Undercounter, Worktop, Prep Table | | | | | | | | | | | | |
|--|--------------------------|--|-------------|------------|-----------------|--|--|--|--|--|--|--|
| Index No. | Description | Material or Model Number | Part Number | G-5 to K-5 | Required Number | | | | | | | |
| | | | | | | | | | | | | |
| 1 | Drawer Face | _R27A-xx(M(D2)), and _F27A-D2 UC/WT/Prep Table | 2A7510G01 | 2 | | | | | | | | |
| | | _R48A-xx(M(Dx)), _F48A-D4, and _R72A-xx(M(Dx)) UC/WT/Prep Table | 2A7511G01 | 2 | | | | | | | | |
| | | _R60A-xx(M(Dx)) UC/WT/Prep Table | 2A7512G01 | 2 | | | | | | | | |
| 2 | Upper Drawer Box | _R27A-xx(M(D2)), and _F27A-D2 UC/WT/Prep Table | 3A9501G01 | 1 | | | | | | | | |
| | | _R48A-xx(M(Dx)), _F48A-D4, and _R72A-xx(M(Dx)) UC/WT/Prep Table | 3A9500G01 | 1 | | | | | | | | |
| | | _R60A-xx(M(Dx)) UC/WT/Prep Table | 3A9502G01 | 1 | | | | | | | | |
| 3 | Lower Drawer Box | _R27A-xx(M(D2)), and _F27A-D2 UC/WT/Prep Table | 3A8185G01 | 1 | | | | | | | | |
| | | _R48A-xx(M(Dx)), _F48A-D4, and _R72A-xx(M(Dx)) UC/WT/Prep Table | 3A8191G01 | 1 | | | | | | | | |
| | | _R60A-xx(M(Dx)) UC/WT/Prep Table | 3A8294G01 | 1 | | | | | | | | |
| 4 | Upper Right Slide Roller | | 4A6146-02 | 1 | | | | | | | | |
| 5 | Upper Left Slide Roller | | 4A6147-02 | 1 | | | | | | | | |
| 6 | Lower Right Slide Roller | | 4A5663-02 | 1 | | | | | | | | |
| 7 | Lower Left Slide Roller | | 4A5664-02 | 1 | | | | | | | | |
| 8 | Gasket | _R27A-xx(M(D2)), and _F27A-D2 UC/WT/Prep Table | 2A5192-15 | 2 | | | | | | | | |
| | | _R48A-xx(M(Dx)), _F48A-D4, and _R72A-xx(M(Dx)) UC/WT/Prep Table | 2A5192-17 | 2 | | | | | | | | |
| | | _R60A-xx(M(Dx)) UC/WT/Prep Table | 2A5192-16 | 2 | | | | | | | | |
| 9 | Vertical Mullion Bracket | Door/Drawer Combo | 3A8187-01 | 1 | | | | | | | | |

H. Accessories & Labels
Undercounter, Worktop, Prep Table
G-5 to K-5



| Title: H. Accessories & Labels | | Models: Undercounter, Worktop, Prep Table | | | | | | | | | | | |
|---|---|---|-------------|-----------------|--|--|--|--|--|--|--|--|--|
| Index No. | Description | Material or Model Number | Part Number | Required Number | | | | | | | | | |
| | | | | G-5 to K-5 | | | | | | | | | |
| 1 | Penguin Label | | 475552L01 | 1 | | | | | | | | | |
| 2 | 4" Caster Kit (includes items 3 and 4) | HS-5035 UC | 4A5434A01 | 1 | | | | | | | | | |
| | 2" Caster Kit (includes items 3, 4, and 4a) | HS-5037 UC Low Profile | 4A5436A01 | 1 | | | | | | | | | |
| | 6" Caster Kit (includes items 3 and 4) | HS-5036 WT/Prep Table | 4A5435A01 | 1 | | | | | | | | | |
| 3 | 4" Non-Locking Caster | UC | 4A5427-01 | 2 | | | | | | | | | |
| | 2" Non-Locking Caster | UC Low Profile | 4A5429-01 | 2 | | | | | | | | | |
| | 6" Non-Locking Caster | WT/Prep Table | 4A5428-01 | 2 | | | | | | | | | |
| 4 | 4" Locking Caster | UC | 4A5427-02 | 2 | | | | | | | | | |
| | 2" Locking Caster | UC Low Profile | 4A5429-02 | 2 | | | | | | | | | |
| | 6" Locking Caster | WT/Prep Table | 4A5428-02 | 2 | | | | | | | | | |
| 4a | Wrench | UC Low Profile | 4A5492-01 | 1 | | | | | | | | | |
| 4b | Caster Bracket | _R48A-(xxxxx) and _F48A-(xxxxx) UC/WT/Prep Table | 3A9099-01 | 2 | | | | | | | | | |
| Prep Table Specific Parts | | | | | | | | | | | | | |
| 5 | 1/6 Size Pan, 4" Depth | -8 | 1000000344 | 8 | | | | | | | | | |
| | | -10 | | 10 | | | | | | | | | |
| | | -16 | | 16 | | | | | | | | | |
| | | -15M | | 15 | | | | | | | | | |
| | | -12, -12M, -12D(x) | | 12 | | | | | | | | | |
| | | -18, -18M, 18MD(x) | | 18 | | | | | | | | | |
| | | -24M, -24MD2 | | 24 | | | | | | | | | |
| | | -30M, -30MD(x) | | 30 | | | | | | | | | |
| 6 | Cutting Board | SR27A-8(Dx) and SR27A-12(M(Dx)) | 3A4894-09 | 1 | | | | | | | | | |
| | | SR36A-10(-15M) | 3A4894-15 | 1 | | | | | | | | | |
| | | SR48A-xx(M(Dx)) | 3A4894-10 | 1 | | | | | | | | | |
| | | SR60A-xx(M(Dx)) | 3A4894-13 | 1 | | | | | | | | | |
| | | SR72A-xx(M(Dx)) | 3A4894-14 | 1 | | | | | | | | | |