



YOU CAN TRUST

JUICE EXTRACTORS

EX



STANDARD FEATURES

- Specially designed Juicers for high efficiency citrus juice production, including: lime, lemon, orange and grapefruit.
- Stainless steel motor housing and one-piece juicing head.
- Comes standard with 34 oz. container, sieve and two juicing tools in different sizes.
- Equipped with anti-skid legs to prevent slipping on wet surfaces.
- Easily removable parts for cleaning.
- Ideal for restaurants, juice shops, convenience stores, health clubs, spas and hotels.



EX
CITRUS JUICER



Fresh juice is an important part of a healthy lifestyle!

ILLUSTRATIVE PHOTO, ACTUAL PRODUCTS AND ACCESSORIES ARE SUBJECT TO CHANGE WITHOUT NOTICE.



Skyfood Equipment LLC
175 SW 7th Street, Ste 2416
Miami, FL 33130

Toll Free:
1-800-503-7534
sales@skyfood.us

www.skyfood.us



Follow us to keep up to date with the latest news and offers

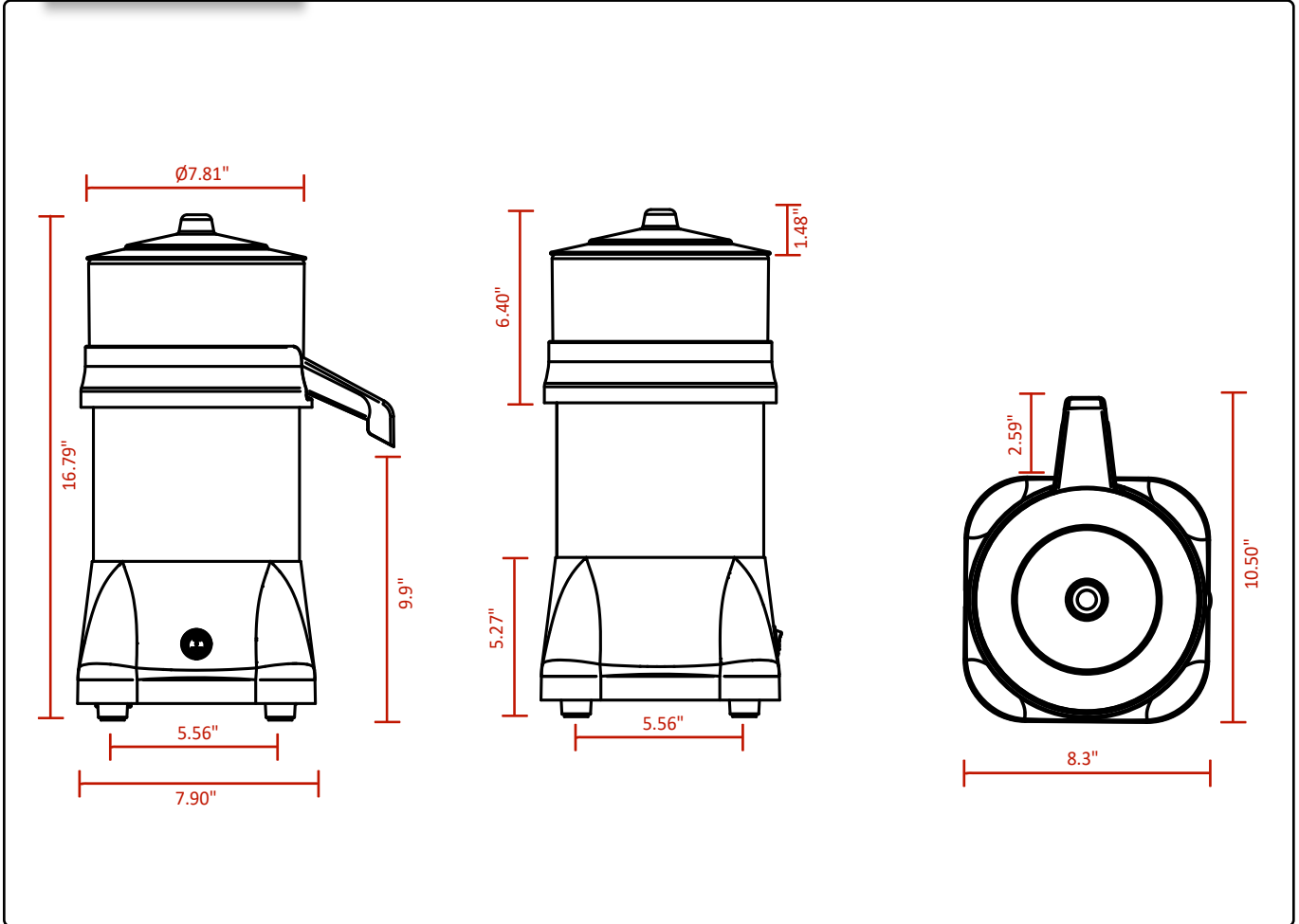
/SkyfoodEquipment

/SkyfoodEquipment

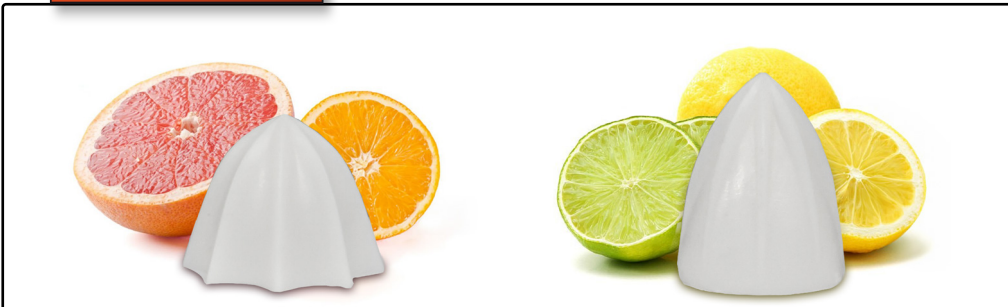
/SkyfoodEquipment



DIMENSIONS



CROWNS INCLUDED



MADE IN BRAZIL



PLUG
NEMA 5-15P

WARRANTY 01 YEAR PARTS AND LABOR VALID IN THE CONTINENTAL UNITED STATES.

Item	Voltage	AMPS	Power Rating	Dimensions (W x D x H)	Weight (Net x Ship)	RPM	PLUG
EX	110 V	2.2	1/4 HP	9 1/2" x 7 3/4" x 15 3/8"	10 lb x 13 lb	1750	NEMA 5-15P



Skyfood Equipment LLC
175 SW 7th Street, Ste 2416
Miami, FL 33130

Toll Free:
1-800-503-7534
sales@skyfood.us

www.skyfood.us

