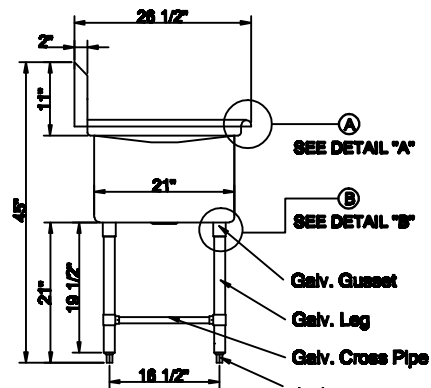
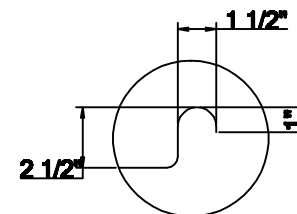


FRONT ELEVATION

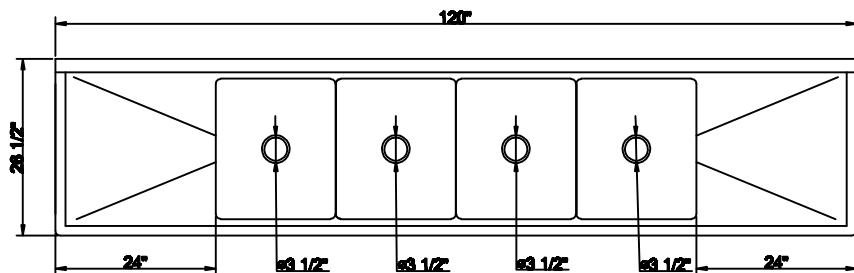


SIDE VIEW

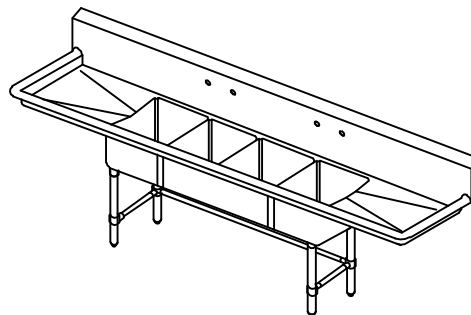
- 18GA. Stainless Steel Construction.
- Galv. Gusset and Galv. Leg and STS Feet.



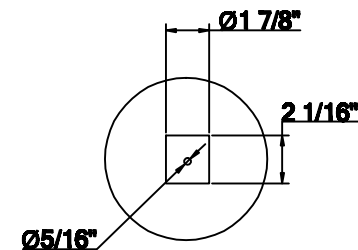
DETAIL "A"



PLAN VIEW



ISOMETRIC



DETAIL "B"

DRAWN FOR:	MAT. TOP: 18GA. S/S. BASE:	DATE	REVISIONS	Tarrison Products Ltd.
REF. NO:	REQ'D/ITEM:			
ITEM NAME: Sink	DATE: Nov / 27 / 2015			
PROD. NO.: TA-P8421LR24	BY:			
SCALE: 1/2" = 1'-0"	CHECKED BY:			