

**FREE
SLICERS**

Ask us about earning
FREE equipment through our
dell rewards program

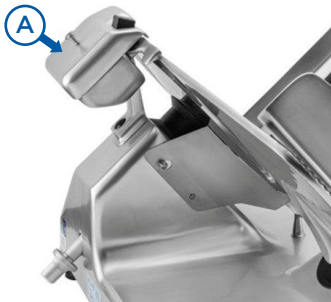


STANDARD FEATURES

- Heavy duty anodized aluminum construction.
- Belt transmission.
- Integrated sharpener for easy use.
- Easy access with low profile carriage for easy loading and simplified operation.
- Reduced cradle feet.
- Precise slice thickness up to 1.00”.
- Third generation blade design minimizes friction and allows blade to easily move through product being sliced (J350G, J350GCO).
- Tilting device (J350G, J350GCO).

SAFETY FEATURES

- Integrated and removable dual stone sharpener for easy cleaning.
- Permanent blade guard.

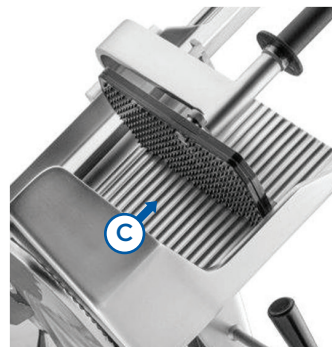


A. Attached / removable dual stone sharpener.



B1. IP67 Rating; Watertight; tamper resistant on/ off buttons.

B2. Open gauge plate warning light.



C. Large, low profile carriage for easy loading.



D. Lift leg for quick and easy cleaning under slicer.

TECHNICAL SPECIFICATIONS

Blade
14 inch

Square
7.87 x 7.87 inches

Blade Motor
0.50HP - 0.37kw

Round
8.66 inches

On/Off Buttons
IP69 Switches

Max Thickness
1.00 inches

Sharpener
Attachable/Removable

Slicer Net Weight
90.39 lbs.

Certifications
NSF

Shipping Weight
102.96 lbs.

Rectangular
10.24 x 6.10 inches

Shipping Dimensions
31.50 x 30.31 x 27.95 inches

