

# PRODIGY<sup>®</sup> ELITE

Eclipse<sup>®</sup>

## MC430L - 1400-1800 lb Cube Ice Machine

Prodigy ELITE<sup>®</sup> Modular Cube Ice Machine

### ENHANCED RELIABILITY

#### Integrated ICELINQ<sup>®</sup> App

Provides real-time diagnostics, access to settings and guided cleanings. The app also contains specific information for convenient maintenance.

#### Upgraded Sensors

Ice thickness and water sensor design enhances cleanability and amplifies durability.

#### Preservation Mode

Maximizes uptime and notifies users of potential issues.

### EASE OF USE

#### AutoAlert<sup>™</sup> Panel

The AutoAlert<sup>™</sup> panel displays relevant machine status that is visible across the room. Now featuring an external bin full indicator light and easier to read 16-segment display.

### CONVENIENT DESIGN

#### Remote Condenser and Compressor

Allows for higher capacities in smaller footprint, while minimizing heat and noise output.

#### WaterSense Adaptive Purge

Optimizes water consumption, keeping the machine cleaner and operating more efficiently.



Compatible with ICELINQ<sup>®</sup>



The ICELINQ<sup>®</sup> app simplifies interaction with machine via Bluetooth<sup>®</sup> connection



Intelligent sensor technology maximizes efficiency and lowers operating costs



### 24 Hour Volume Production

MC430 1400lb			MC430 1800lb		
70°F/21°C	Air	90°F/32°C	70°F/21°C	Air	90°F/32°C
50°F/10°C	Water	70°F/21°C	50°F/10°C	Water	70°F/21°C
1425/648 lb/kg		1200/545 lb/kg	1775/807 lb/kg		1600/727 lb/kg



### Modular Bin Options

Model Number*	Dimensions W" x D" x H"	Bin Application		Ship Weight lb/kg
		Capacity lb/kg	Finish	
ID250	30 x 30 x 40	-	Stainless Steel	188/85
B948S	48 x 34 x 44	893/406	Stainless Steel	209/95
BL1048S	48 x 31 x 54.4	1000/454	Stainless Steel	268/122
BL1360S	60 x 31 x 54.4	1320/599	Stainless Steel	322/147
BL1660S	60 x 31 x 63.4	1660/753	Stainless Steel	340/154

\* Contact Scotsman for bin top requirements.



### Cube Ice

Common ice form, ideal for mixed drinks.



Small Cube  
7/8" x 7/8" x 3/8"  
(2.22 x 2.22 x .95 cm)



Medium Cube  
7/8" x 7/8" x 7/8"  
(2.22 x 2.22 x 2.22 cm)



### Certification



ICELINQ



### Warranty

- 3 Years parts and labor on all components.
- 5 Years parts and labor on the evaporator.
- 5 Years parts on the compressor and condenser.
- Warranty valid in North, South & Central America for commercial installations.
- Contact factory for warranty in other regions.
- Residential Applications: 1 year parts and labor

# Scotsman<sup>®</sup>

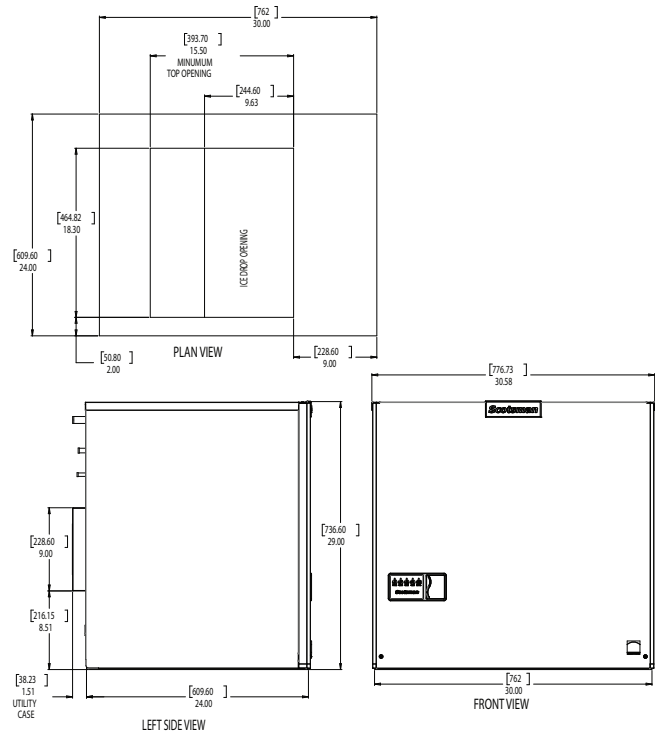
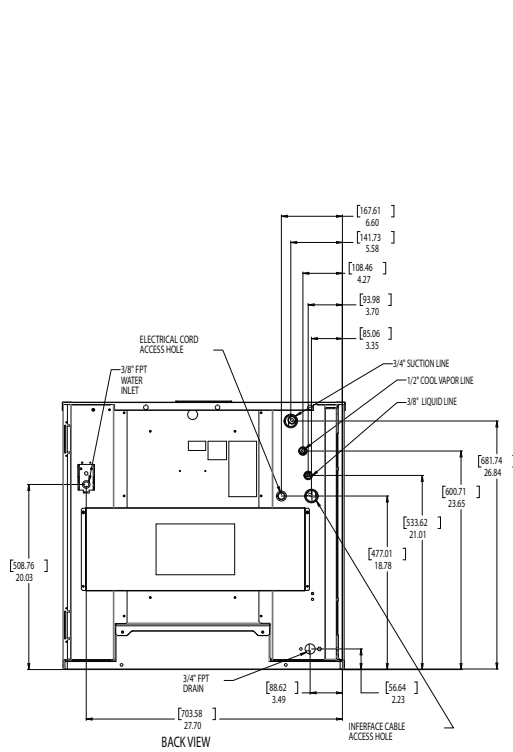
101 Corporate Woods Parkway, Vernon Hills, IL 60061

1-800-SCOTSMAN | Fax: 847-913-9844 | www.scotsman-ice.com | customer.relations@scotsman-ice.com

MC430L - 1400-1800lb Cube Ice Machine

# MC430L - 1400-1800lb Cube Ice Machine

Prodigy ELITE® Modular Cube Ice Machine



## Specifications

Ice Head Model Number	Compressor Unit	Basic Electrical Volts/Hz/Phase	Max. Fuse Size or HACR Circuit Breaker (amps)	Circuit Wires	Min. Circuit Ampacity	Energy Consumption kWh/100 lb (45.4 kg) 90°F(32°C)/70°F(21°C)	Water Usage Gallons/100 lb (liters/45.4 kg)	
							Potable	Condenser
MC430SL-1	-	115/60/1	15	2	Cord	-	-	-
MC430ML-1	-	115/60/1	15	2	Cord	-	-	-
-	ECC1410-32	208-230/60/1	30	2	15.8	4.50	18.0/70.1	-
-	ECC1410-3	208-230/60/3	20	3	11.6	4.50	18.0/70.1	-
-	ECC1800-3	208-230/60/3	30	3	19.0	4.67	18.0/66.7	-



## All Models

**Dimensions (W x D x H):**

MC430 Unit: 30" x 24" x 29"  
(76.2 x 61.0 x 73.7 cm)

Shipping Carton: 34" x 28" x 32"  
(86.4 x 71.1 x 81.3 cm)

Condenser Unit: 39" x 32" x 40"  
(99.1 x 81.3 x 101.6 cm)

Shipping Carton: 42" x 34" x 46"  
(106.7 x 86.4 x 116.8 cm)

Shipping Weight: MC430 165lb / 75 kg  
ECC1800 350 lb / 159 kg  
ECC1410 332 5lb / 151 kg

BTUs per hour: MC430 1400 lb : 20,000  
MC430 1800 lb : 31,600

Refrigerant: R-404A



## Accessories

Model Number	Description
KSBU	Smart-Board™ Advanced Control - Use additional operational data for fast diagnosis.
KSBU-N	Smart-Board™ Advanced Control with Network -
KVS	Vari-Smart Ice Level Control - Program ice levels to match ice needs
KBILC	Basic Ice Level Control - Thermistor technology, ideal for dispenser applications.
3BRTE20-EH	Line set, 20ft. Refrigerant and Brazing required
3BRTE35-EH	Line set, 35ft. Refrigerant and Brazing required
3BRTE50-EH	Line set, 50ft. Refrigerant and Brazing required
3BRTE75-EH	Line set, 75ft. Refrigerant and Brazing required
XR-30	XSafe® Sanitation System for Modular Cube - Continuous operation, field-installed.

Scotsman recommends all ice machines have water filtration. See Scotsman water filter specification sheet for details.



## Operating Requirements

	Minimum	Maximum
Air Temperatures	50°F (10°C)	100°F (38°C)
Water Temperatures	40°F (4.4°C)	100°F (38°C)
Remote Cond. Temps	-20°F (-29°C)	120°F (49°C)
Potable Water Pressure	20 PSIG (1.4 bar)	80 PSIG (5.5 bar)
Cond. Water Pressure	20 PSIG (1.4 bar)	230 PSIG (16.1 bar)
Electrical Voltage	-5%	+10%

Specifications and design are subject to change without notice.