



Project:
Item:
Quantity:

JUMBO 42
VACUUM PACKAGING MACHINE



FEATURES

- Seal bar length: 16.5"
- Seal bar with two wires, for double security
- Seal bar easily removable for cleaning and maintenance purposes
- Pump capacity: 678 cf/h (19 m³/h) Busch vacuum pump
- Pump maintenance and cleaning program
- Machine cycle: 20-40 sec
- Time control: 1-99 sec
- Transparent lid, which opens automatically after every cycle
- Deep drawn vacuum chamber
- Comes with insert plates for a faster cycle and product adjustment
- Stainless steel exterior
- 6ft cord with Nema 5-15P plug

DESCRIPTION

The robust, stainless steel Jumbo 42 vacuum packer is standard equipped with a Busch vacuum pump. The machine is ETL listed and complies with UL, CSA and CE standards.

OPTIONS AND ACCESSORIES

- Cut-off seal
- Wide seal
- Inclined insert plate
- Food container adaptor



WARRANTY

Henkelman Inc offers a warranty of 1 year on labor and 3 years on parts. For full warranty details, please refer to www.henkelman.com.

DATE

APPROVAL



FIT FOR FOOD SERVICE
WWW.HENKELMAN.COM

HENKELMAN INC.
493 W Fullerton Ave
Elmhurst IL, 60126

Sales and technical support
P +1 331 979 2013
F +1 630 359 3875
E info@henkelmanusa.com
Service and warranty
P +1 844 208 5685

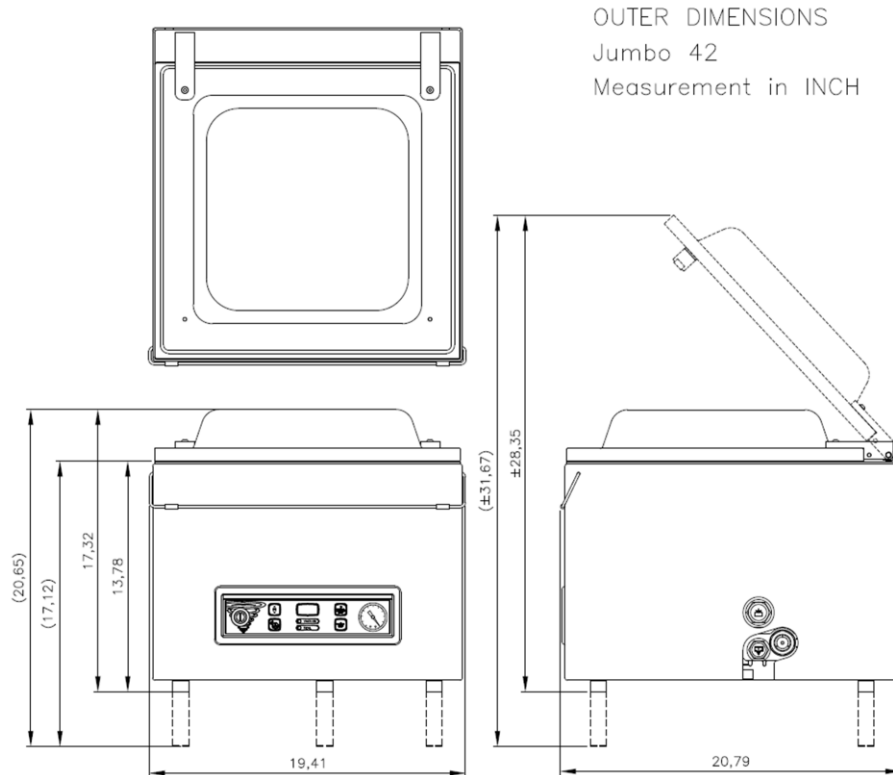
VACUUM PACKAGING MACHINE JUMBO 42 - SPEC SHEET

VACUUM PACKING MACHINE JUMBO 42 – SPECS

VACUUM PACKING MACHINE JUMBO 42 – SPEC SHEET

DIMENSIONS

In inches



Model	Dimensions (IN)		Volts	Amps	Hz	Pump capacity	HP	Plug	Weight (lbs)
	Chamber (usable space) LxWxH	Machine LxWxH							
Jumbo 42	14.5"x16.5"x7"	20.8"x19.4"x17.3"	110-120V	9	60Hz	678 cf/h (19 m ³ /h)	0.74	NEMA 5-15P	128

NEMA 5-15P



15 A/125 V



FIT FOR FOOD SERVICE
WWW.HENKELMAN.COM

HENKELMAN INC.
493 W Fullerton Ave
Elmhurst IL, 60126

Sales and technical support
P +1 331 979 2013
F +1 630 359 3875
E info@henkelmanusa.com
Service and warranty
P +1 844 208 5685