



Project _____

Item # _____

Quantity _____

Flav-R-Shield™ Full-Service Pass-Over Sneeze Guards – Model EP5

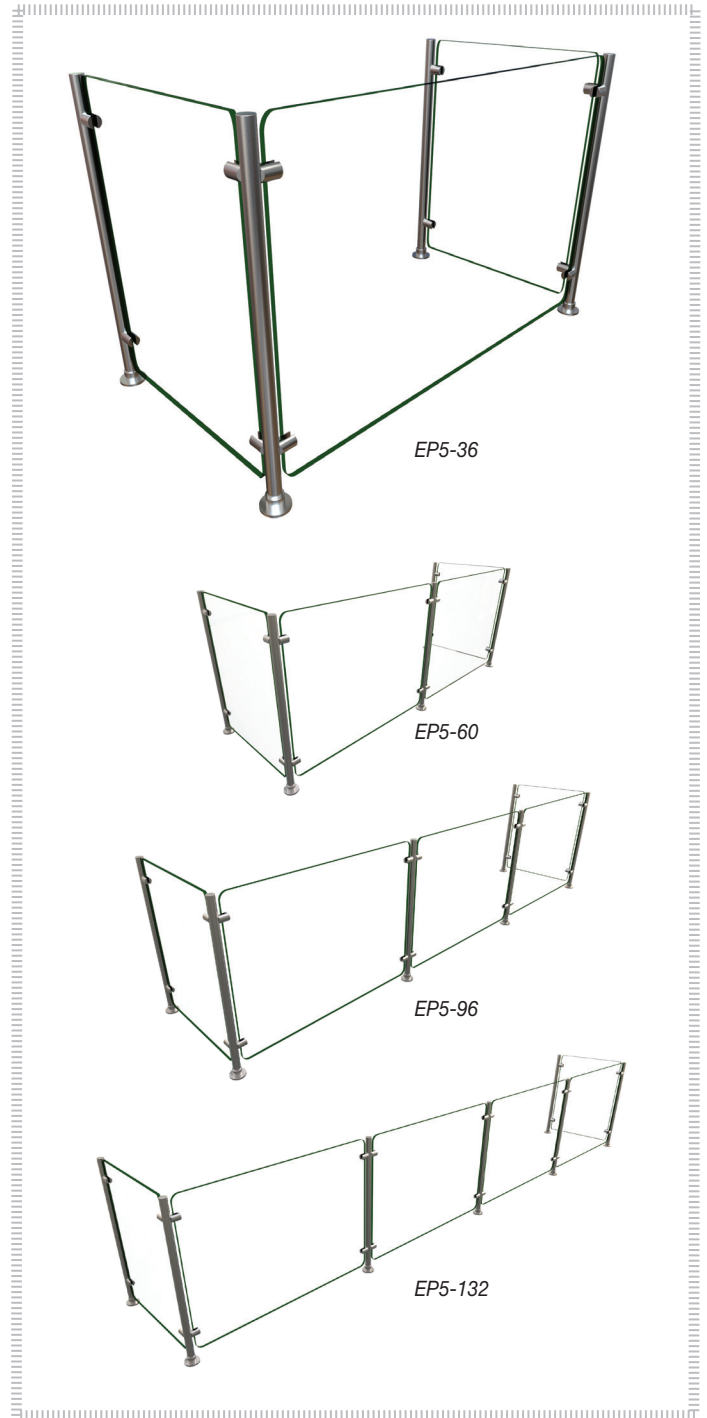
Item Numbers:

EP5-36, -48, -60, -72, -84, -96, -108, -120, -132, -144

Enhance and protect food products simultaneously with Hatco's Flav-R-Shield™ Sneeze Guards – EP5 for stationary full-service applications. These stylish yet functional Sneeze Guards, with several patented features, are ideal for buffet lines and serving stations. They provide all the requirements to safeguard your foods.

Standard features

- Stylish 1" (25 mm) Diameter SAE 304 brushed stainless steel Posts
- 2" (50 mm) Diameter stainless steel finish Flanges with unique tight-fitting Flange Covers that hide mounting screws and maximize cleanability
- Durable 0.25" (6 mm) Thick tempered glass construction with 0.75" (19 mm) radius corners and flat polished edges for a clean look throughout
- Glass Face Panel and two 18" (457 mm) Deep glass End Panels
- Mounts to stainless steel, natural and artificial solid stone surfaces and laminate countertops



For operation, location and safety information, please refer to the Installation and Operating Manual.



HATCO CORPORATION | P.O. Box 340500 Milwaukee, WI 53234-0500 U.S.A. | (800) 558-0607 | (414) 671-6350



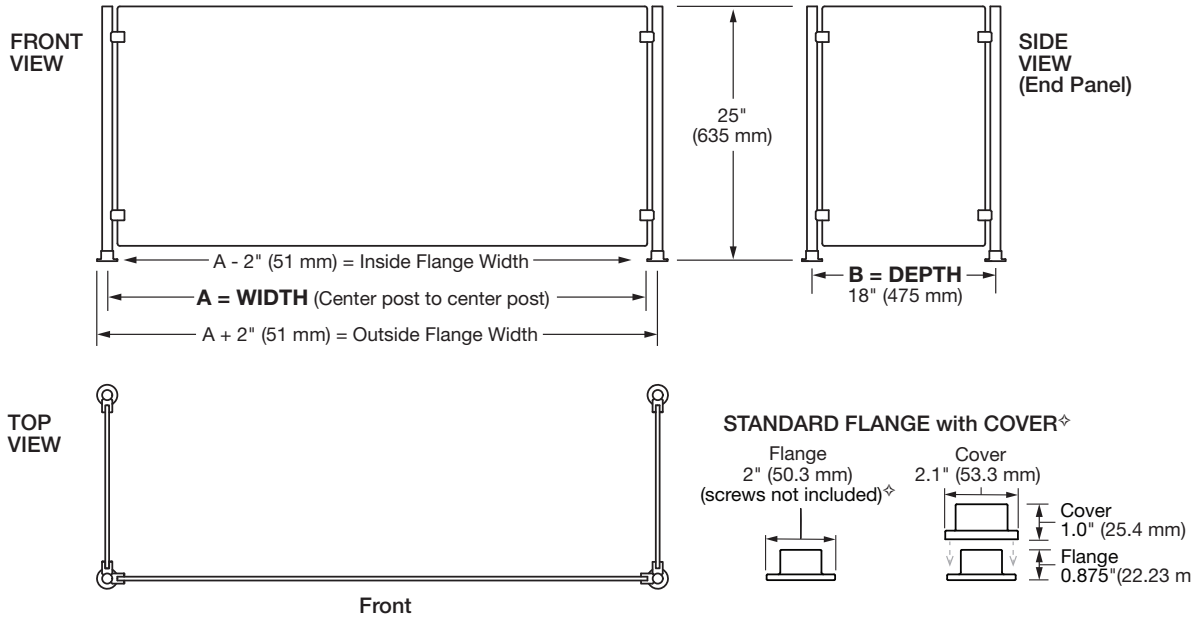
www.hatcocorp.com | www.hatcosneezeguards.com | support@hatcocorp.com | [Find a Hatco Rep](#) | [Image Library](#) | [Document Library](#) | [Patents](#) | [Chat](#)



Flav-R-Shield™ Full-Service Pass-Over Sneeze Guards - Model EP5

Item number: EP5-36, -48, -60, -72, -84, -96, -108, -120, -132, -144

Model EP5 Standard offerings (one bay shown)



SPECIFICATIONS

Flav-R-Shield™ Full-Service Pass-Over Sneeze Guards - Model EP5

All Sneeze Guards are 25" (635 mm) High

Number of Bays	Item Number	A Width Center of post to center of post	B Depth Center of post to center of post	Total Approximate Ship. Weight [■]
1	EP5-36	36" (914 mm)	18" (457 mm)	69 lbs (31 kg)
2	EP5-48	48" (1219 mm)	18" (457 mm)	84 lbs (40 kg)
2	EP5-60	60" (1524 mm)	18" (457 mm)	91 lbs (41 kg)
2	EP5-72	72" (1829 mm)	18" (457 mm)	97 lbs (44 kg)
2	EP5-84	84" (2134 mm)	18" (457 mm)	102 lbs (46 kg)
3	EP5-96	96" (2438 mm)	18" (457 mm)	126 lbs (57 kg)
3	EP5-108	108" (2743 mm)	18" (457 mm)	141 lbs (64 kg)
3	EP5-120	120" (3048 mm)	18" (457 mm)	157 lbs (71 kg)
4	EP5-132	132" (3353 mm)	18" (457 mm)	172 lbs (78 kg)
4	EP5-144	144" (3658 mm)	18" (457 mm)	187 lbs (85 kg)

◇ 2" (50 mm) long #8 counter sink screws are recommended for installations on most surfaces. Requirements will vary based on surface material and thickness. Fasteners not included.

■ Items may be shipped in multiple boxes.

PRODUCT SPECS

Flav-R-Shield™ Full-Service Pass-Over Sneeze Guards - Model EP5

Flav-R-Shield Full-Service Pass-over Sneeze Guard – Model EP5 shall be manufactured by the Hatco Corporation, Milwaukee, WI 53234 U.S.A.
The unit shall be ... inches (millimeters) in overall width, ... inches (millimeters) in overall depth and ... inches (millimeters) in overall height.
The Sneeze Guard shall have 1" (25 mm) Diameter SAE 304 brushed stainless

steel Posts, 2" (50 mm) Diameter stainless steel finish Flanges with Flange Cover, 0.25" (6 mm) Thick tempered glass construction with 0.75" (19 mm) radius corners and flat polished edges, glass Face Panel, two 18" (457 mm) Deep glass End Panels.
Warranty consists of one (1) year parts only.

HATCO CORPORATION | P.O. Box 340500 Milwaukee, WI 53234-0500 U.S.A. | (800) 558-0607 | (414) 671-6350

www.hatcocorp.com | www.hatcosneezeguards.com | support@hatcocorp.com | [Find a Hatco Rep](#) | [Image Library](#) | [Document Library](#) | [Patents](#) | [Chat](#)