

Project: _____

Location: _____

Item #: _____ Quantity: _____

Model #: _____

MODEL: IBC-ABT201CBI

Blast Chiller and Shock Freezer – 20 Tray (Roll-In) Self Contained System



General Strengths

- ✓ **Blast Chiller Functions.** Blast chillers and freezers, quickly reduce the core temperature of the products, whether they are cooked or fresh, conserving their fresh texture, hygiene and quality, while reducing the risk of bacteria generating.
- ✓ **Sanitation.** The interior cabinet is built with rounded corners (extensive radius for easy cleaning).
- ✓ **Doors.** Stay open feature included when door remains open after 95 degrees. All doors include triple chamber door gaskets, easy to remove and snap in.
- ✓ **Control systems.** Higher precision in managing temperature settings. Greater ability for the adjustment of temperature ranges as per the end user's requirement.
- ✓ **100% Tested.** All condenser units are 100% tested, in helium chambers for refrigerant leak detections.
- ✓ **Certified.** Audited and Certified by **INTERTEK** for compliance with UL 471 and NSF 7. AENOR audited and certified by internationally recognized firm. ISO 9001:2015 (Quality); ISO 14001:2015 (Environmental); OSHAS 18001:2007 (Prevention and Worker Safety)

Revision: 05 Date: 07/05/2017 IBC-ABT201CBI_FT_62_5

MODEL	Dimensions (inches) (mm)			Nº Doors	Car Entry	Ref.	Ref. Weight (Lbs.) (gr.)	Temp. Range (ºF) (ºC)	Capacity Chiling/Freezing (Lbs.) (Kg)	Cond. Unit. H.P.	Case Amps (220V.)	Crated Weight (Lbs.) (Kg.)
	W	D	H									
IBC- ABT201CBI	47-1/4 1200	43-1/8 1095	97 2463	1	GN 1/1 12x20"	R404A	4.41 2000	-40ºF -40ºC	280 / 154 127 / 70	4	21	1200 544

ETL LISTED TO UL471 STANDARD AND SANITATION CLASSIFIED TO NSF7 - WE RESERVE THE RIGHT TO CHANGE SPECIFICATIONS WITHOUT PRIOR NOTICE




Infrico USA Corp.
1409 N.W. 84th Avenue
Doral, FL 33126
1.305.777.9599 Office
1.305.777.9598 Fax

www.infrico.us
sales@infrico.com

APPROVALS: _____ AVAILABLE AT: _____

MODEL: IBC-ABT201CBI
Blast Chiller and Shock Freezer – 20 Tray (Roll-In) Self Contained System
STANDARD FEATURES

- **Mobile racks:** The cabinet can accommodate one mobile rack with maximum dimensions of 25" wide, 18" deep and 70" high.
- **Exterior**
 - AISI 304 Stainless Steel,
 - Compliant with HACCP regulations.
- **Interior**
 - AISI 304 Stainless Steel,
 - Sealed interior floors and rounded cabinet corners,
 - Includes a heated conical probe which is easy to use and remove.
- **Insulation**
 - CFC-Free polyurethane insulation, entire cabinet structure is foamed-in using a high-density polyurethane insulation,
 - Low GWP & Zero ODP effect.
- **Doors**
 - Polyurethane insulated door,
 - Self closing door with stay open feature,
 - Heavy-duty hinges with horizontal and vertical adjustment,
 - Triple chamber snap in door gaskets for easy removal and cleaning,
 - Heated door frame to avoid accumulation of ice.
- **Refrigeration**
 - Control panel with an easy to read screen and menu,
 - Manual defrost during cycles and automatic defrost during maintenance,
 - Evaporator coil coated with anti-corrosion material 100% polyester,
 - Forced air refrigeration system,
 - **Blast chilling:** +194°F (+90°C) to +37°F (3°C) in less than 90 minutes,
 - **Blast freezing:** +194°F (+90°C) to 0°F (-18°C) in less than 4 hours,
- **Digital Control**
 - Interactive control screen & menu,
 - Up to 99 different customized cycles,
 - USB Connection. 
- **Electrical**
 - Cord only included,
 - Electrical connection for the Digital Controller is 220V / 3ph / 60 Hz,
 - Must be connected to 45 Amp. circuit breaker!
- **ETL Listed to UL471 Standard and Sanitation classified to NSF7.**

ETL LISTED TO UL471 STANDARD AND SANITATION CLASSIFIED TO NSF7 - WE RESERVE THE RIGHT TO CHANGE SPECIFICATIONS WITHOUT PRIOR NOTICE

Project: _____

Location: _____

Item #: _____ Quantity: _____

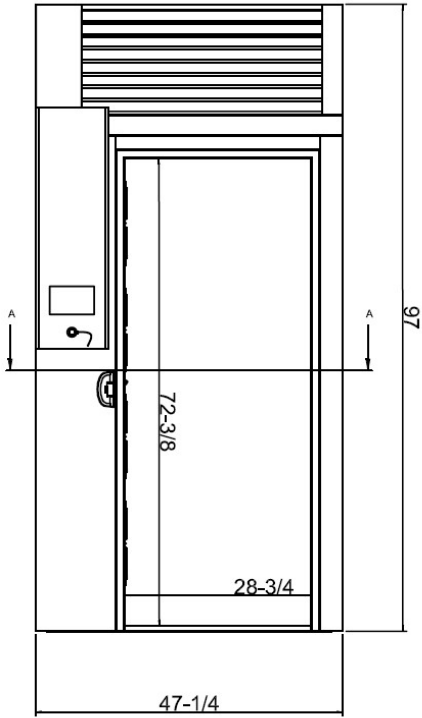
Model #: _____

MODEL: IBC-ABT201CBI

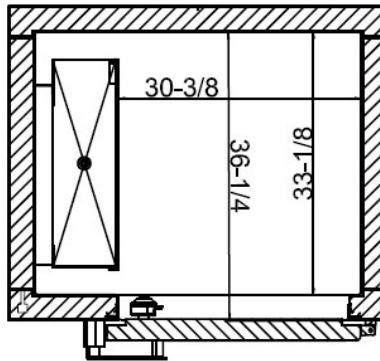
Blast Chillers and Shock Freezers – 20 Trays (Wheels inside)

PLAN VIEW

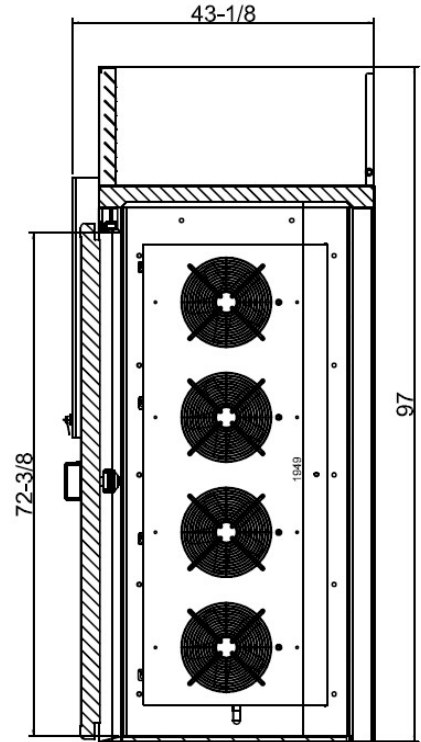
ELEVATION



PLAN VIEW



RIGHT VIEW



Revision: 05 Date: 07/05/2017 IBC-ABT201CBI_FT_62_5

ETL LISTED TO UL471 STANDARD AND SANITATION CLASSIFIED TO NSF7 - WE RESERVE THE RIGHT TO CHANGE SPECIFICATIONS WITHOUT PRIOR NOTICE



Infrico USA Corp.
 1409 N.W. 84th Avenue
 Doral, FL 33126
 1.305.777.9599 Office
 1.305.777.9598 Fax

www.infrico.us
sales@infrico.com

APPROVALS: _____ AVAILABLE AT: _____