



Project \_\_\_\_\_

Item # \_\_\_\_\_

Quantity \_\_\_\_\_

# Flav-R-Shield™ Full-Service Pass-over Sneeze Guards – Model ORBIT900

Item Numbers:

ORBIT900-03612, -04812, -06012, -07212, -08412, -09612, -10812, -12012, -13212, -14412,

ORBIT900-03615, -04815, -06015, -07215, -08415, -09615, -10815, -12015, -13215, -14415,

ORBIT900-03618, -04818, -06018, -07218, -08418, -09618, -10818, -12018, -13218, -14418

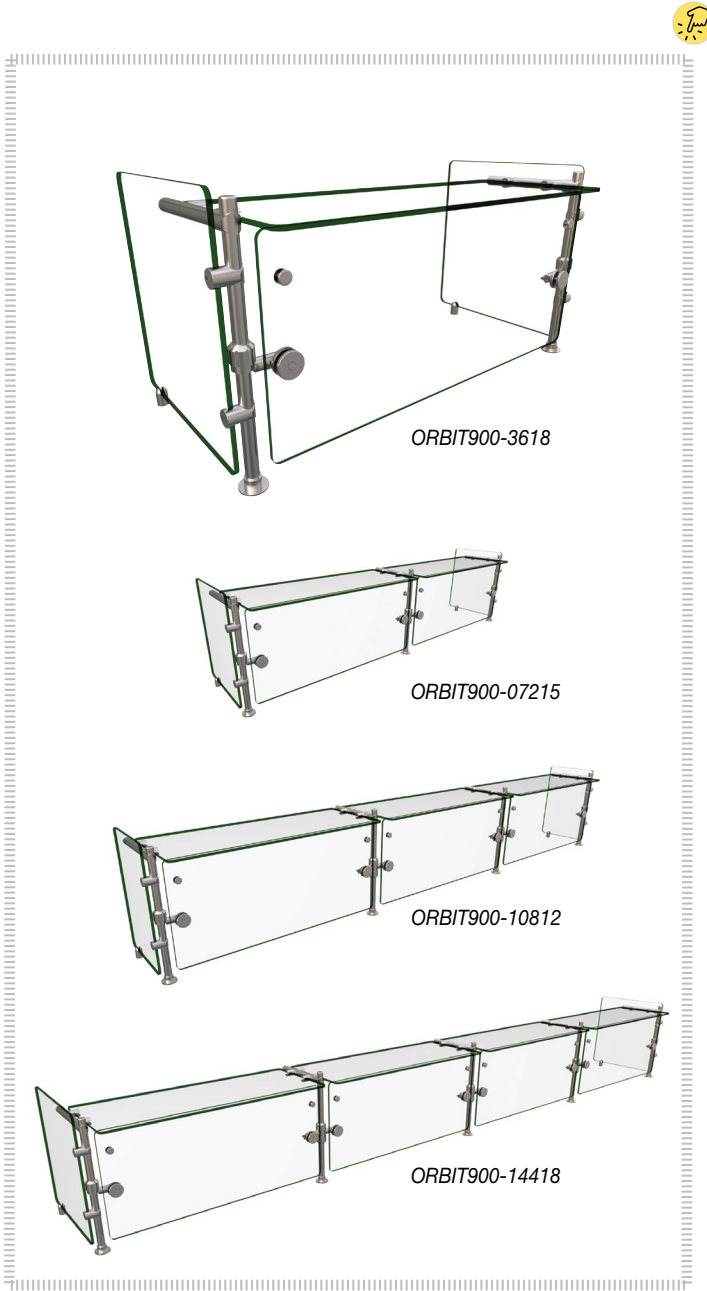
Enhance and protect food products simultaneously with Hatco's Flav-R-Shield™ Sneeze Guards – ORBIT900 for pass-over applications. These stylish yet functional Sneeze Guards, with several patented features, are ideal for buffet lines and serving stations to safeguard your food.

## Standard features

- Patented 15° increment rotating Face Panel with clearances of 9" to 19" (229 to 483 mm), depending on angle
- Post Height is adjustable up to 23" (583 mm) – based on pivoting Face and adjustable Post Bracket
- Durable 0.25" (6 mm) thick tempered glass construction with 0.75" (19 mm) radius corners and flat polished edges for a clean look throughout
- Face panel(s) have additional circular openings for optimum adjustment
- Stylish 1" (25 mm) Diameter SAE 304 brushed stainless steel Posts
- Mounts to stainless steel, natural and engineered solid stone surfaces and laminate countertops

## Customizable features

- Face Panel: Widths 24" to 65.75" (610 to 1670 mm) per Bay in 0.25" (6 mm) increments
- Top Glass: Orbit bracket
- End Panel: Right only, left only or none, 18" - 65.75" (457-1670 mm) Depths in 0.25" (6 mm) increments
- Flange options: Above or below counter compression
- Light Bar: Panel must be 18" (457 mm) Wide or Wider



## Customize unit now!

Custom configurations available:  
Hardware, glass, lighting and more!  
Scan or click the QR code to the left.  
[www.hatcosneezeguards.com](http://www.hatcosneezeguards.com)



HATCO CORPORATION | P.O. Box 340500 Milwaukee, WI 53234-0500 U.S.A. | (800) 558-0607 | (414) 671-6350



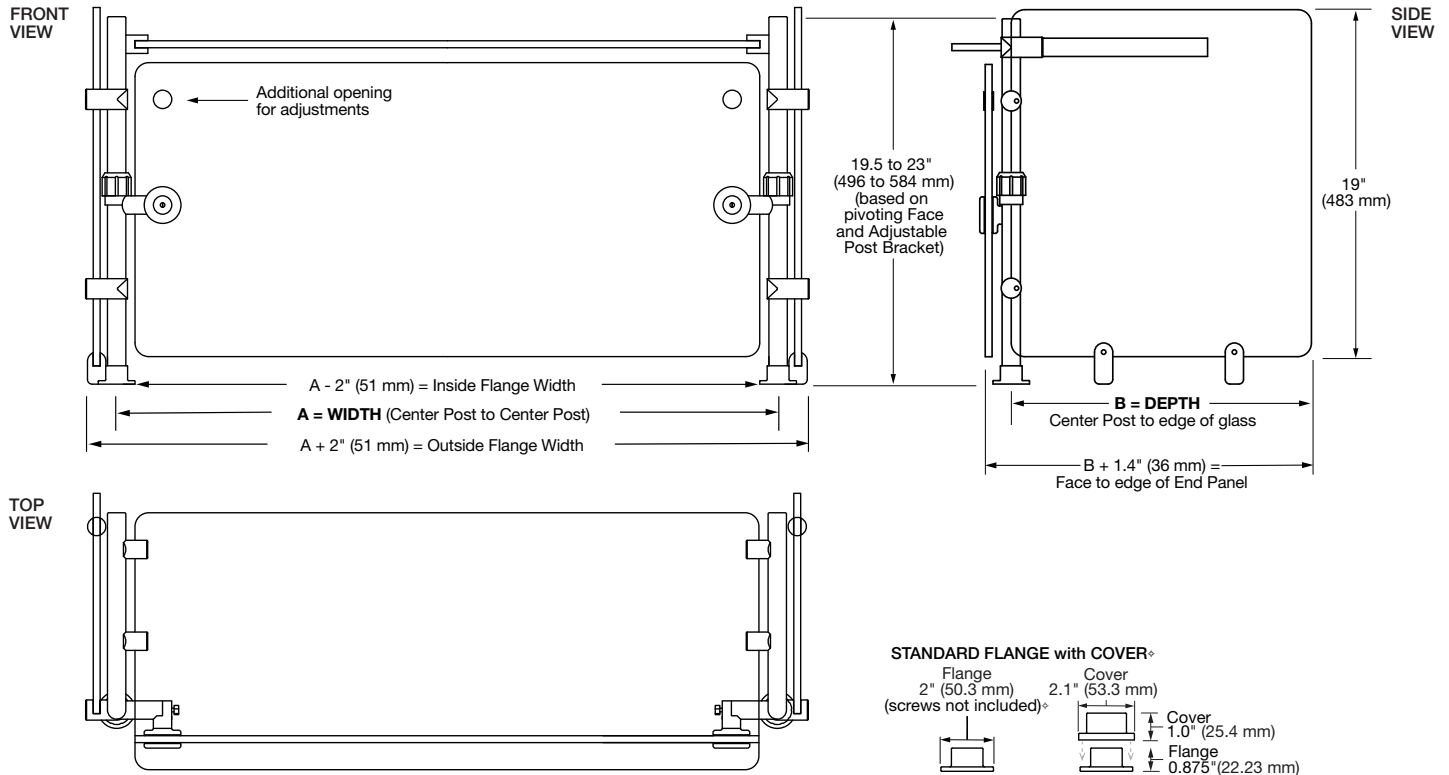
[www.hatcocorp.com](http://www.hatcocorp.com) | [www.hatcosneezeguards.com](http://www.hatcosneezeguards.com) | [support@hatcocorp.com](mailto:support@hatcocorp.com) | [Find a Hatco Rep](#) | [Image Library](#) | [Document Library](#) | [Patents](#) | [Chat](#)



# Flav-R-Shield™ Pass-over Sneeze Guards - Model ORBIT900

Item number: ORBIT900-03612, -04812, -06012, -07212, -08412, -09612, -10812, -12012, -13212, -14412, -03615, -04815, -06015, -07215, -08415, -09615, -10815, -12015, -13215, -14415, -03618, -04818, -06018, -07218, -08418, -09618, -10818, -12018, -13218, -14418

## Model ORBIT900 Standard offerings (one bay shown)



## SPECIFICATIONS

### Flav-R-Shield™ Full-Service Pass-Over Sneeze Guards - Model ORBIT900

Number of Bays	Item Number ♦	A Width Center of Post to center of Post	B Depth Edge of Face to edge of End Panel	Height	Total Approx. Ship Weight ■
1	ORBIT900-03612	36" (914 mm)	12" (305 mm)	Post Height is adjustable up to 23" (583 mm) based on pivoting Face and adjustable Post Bracket	153 lbs. (70 kg)
2	ORBIT900-04812	48" (1219 mm)			159 lbs. (73 kg)
2	ORBIT900-06012	60" (1524 mm)			168 lbs. (77 kg)
2	ORBIT900-07212	72" (1829 mm)			178 lbs. (81 kg)
2	ORBIT900-08412	84" (2134 mm)			188 lbs. (86 kg)
3	ORBIT900-09612	96" (2438 mm)			215 lbs. (98 kg)
3	ORBIT900-10812	108" (2743 mm)			245 lbs. (112 kg)
3	ORBIT900-12012	120" (3048 mm)			270 lbs. (123 kg)
4	ORBIT900-13212	132" (3353 mm)			326 lbs. (148 kg)
4	ORBIT900-14412	144" (3658 mm)			353 lbs. (161 kg)

♦ 2" (50 mm) long #8 counter sink screws recommended for installations on most surfaces. Requirements vary based on surface material and thickness. Fasteners not included.

♦ Side panels may not meet NSF standards, see NSF guidelines for clarification.

■ Items may be shipped in multiple boxes.

....Continued on next page

HATCO CORPORATION | P.O. Box 340500 Milwaukee, WI 53234-0500 U.S.A. | (800) 558-0607 | (414) 671-6350

[www.hatcocorp.com](http://www.hatcocorp.com) | [www.hatcosneezeguards.com](http://www.hatcosneezeguards.com) | [support@hatcocorp.com](mailto:support@hatcocorp.com) | [Find a Hatco Rep](#) | [Image Library](#) | [Document Library](#) | [Patents](#) | [Chat](#)



## Flav-R-Shield™ Pass-over Sneeze Guards - Model ORBIT900

Item number: ORBIT900-03612, -04812, -06012, -07212, -08412, -09612, -10812, -12012, -13212, -14412, -03615, -04815, -06015, -07215, -08415, -09615, -10815, -12015, -13215, -14415, -03618, -04818, -06018, -07218, -08418, -09618, -10818, -12018, -13218, -14418

### SPECIFICATIONS

#### Flav-R-Shield™ Full-Service Pass-Over Sneeze Guards - Model ORBIT900

Number of Bays	Item Number ◊	A Length Center of Post to center of Post	B Depth Edge of face to edge of End Panel	Height	Total Approx. Ship Weight ■
1	ORBIT900-03615	36" (914 mm)	15" (381 mm)	Post Height is adjustable up to 23" (583 mm) based on pivoting Face and adjustable Post Bracket	159 lbs. (73 kg)
2	ORBIT900-04815	48" (1219 mm)			165 lbs. (75 kg)
2	ORBIT900-06015	60" (1524 mm)			173 lbs. (79 kg)
2	ORBIT900-07215	72" (1829 mm)			187 lbs. (85 kg)
2	ORBIT900-08415	84" (2134 mm)			196 lbs. (89 kg)
3	ORBIT900-09615	96" (2438 mm)			252 lbs. (115 kg)
3	ORBIT900-10815	108" (2743 mm)			268 lbs. (122 kg)
3	ORBIT900-12015	120" (3048 mm)			279 lbs. (127 kg)
4	ORBIT900-13215	132" (3353 mm)			335 lbs. (152 kg)
4	ORBIT900-14415	144" (3658 mm)			361 lbs. (164 kg)

Number of Bays	Item Number	A Length Center of Post to center of Post	B Depth Edge of face to edge of End Panel	Height	Total Approx. Ship Weight ■
1	ORBIT900-03618	36" (914 mm)	18" (457 mm)	Post Height is adjustable up to 23" (583 mm) based on pivoting Face and adjustable Post Bracket	162 lbs. (74 kg)
2	ORBIT900-04818	48" (1219 mm)			168 lbs. (77 kg)
2	ORBIT900-06018	60" (1524 mm)			176 lbs. (81 kg)
2	ORBIT900-07218	72" (1829 mm)			190 lbs. (87 kg)
2	ORBIT900-08418	84" (2134 mm)			199 lbs. (90 kg)
3	ORBIT900-09618	96" (2438 mm)			255 lbs. (116 kg)
3	ORBIT900-10818	108" (2743 mm)			271 lbs. (123 kg)
3	ORBIT900-12018	120" (3048 mm)			282 lbs. (128 kg)
4	ORBIT900-13218	132" (3353 mm)			338 lbs. (154 kg)
4	ORBIT900-14418	144" (3658 mm)			364 lbs. (166 kg)

◊ 2" (50 mm) long #8 counter sink screws recommended for installations on most surfaces. Requirements vary based on surface material and thickness. Fasteners not included.

◊ Side panels may not meet NSF standards, see NSF guidelines for clarification.

■ Items may be shipped in multiple boxes.

### PRODUCT SPECS

#### Flav-R-Shield™ Passover Sneeze Guard - Model ORBIT900

Flav-R-Shield Pass-over Sneeze Guard - Model ORBIT900 shall be manufactured by the Hatco Corporation, Milwaukee, WI 53234 U.S.A.

The unit shall be ... inches (millimeters) in overall width, ... inches (millimeters) in overall depth and ... inches (millimeters) in overall height.

The Sneeze Guard shall have a patented 15° increment rotating Face Panel with clearances of 9" to 19" (229 to 483 mm) depending on angle. Post Height shall be adjustable up to 23" (583 mm) (based on pivoting Face and adjustable Post Bracket).

Unit shall have 0.25" (6 mm) thick tempered glass construction with 0.75" (19 mm) radius corners and flat polished edges, 1" (25 mm) Diameter SAE 304 brushed stainless steel Posts. Face panel(s) will have additional circular openings for optimum adjustment. Unit mounts to stainless steel, natural and engineered solid stone surfaces and laminate countertops.

Warranty consists of one (1) year parts only.

HATCO CORPORATION | P.O. Box 340500 Milwaukee, WI 53234-0500 U.S.A. | (800) 558-0607 | (414) 671-6350

[www.hatcocorp.com](http://www.hatcocorp.com) | [www.hatcosneezeguards.com](http://www.hatcosneezeguards.com) | [support@hatcocorp.com](mailto:support@hatcocorp.com) | [Find a Hatco Rep](#) | [Image Library](#) | [Document Library](#) | [Patents](#) | [Chat](#)