

EBC Series

Model: EBC37



Refrigeration System

- Side mounted, self-contained and fully detachable Blizzard R290 condensing unit uses environmentally friendly, EPA-compliant R290 refrigerant with zero (0) Ozone Depletion Potential (ODP) and three (3) Global Warming Potential (GWP). Blizzard R290 is easily replaceable and requires no on-site brazing.
- Electronically commutated (ECM) fan motors achieve rapid cooling with less energy consumption.
- Full-length air duct system ensures optimal circulation of cold air.
- Time-initiated and temperature-terminated auto defrost cycle for seamless operation.
- Large capacity, corrosion-resistant condenser and evaporator coils.
- Self-maintaining, energy-efficient condensate drain pan requires no external drains or electric heaters.
- High performance, auto-reverse condenser fan motor supports compressor ventilation and condenser coil cleaning. Refer to owner's manual for full maintenance instructions.
- Pre-wired and ready to plug, 115V/60Hz/1Ph, NEMA 5-15P.

Cabinet Construction

- Heavy duty stainless steel countertop and rails with textured laminate, black vinyl exterior.
- Open spaced interior with no walls between compartments.
- Galvanized steel interior.
- 1 3/4" thick high density polyurethane insulation.
- Built-in caster thread receptacles for all models.

Lighting

- Shielded LED bar lighting with on/off switch provides bright, high color illumination at lower heat output.

Bottle Cap Opener

- Front mounted bottle cap opener and cap catcher are removable for ease of cleaning.

Lids

- Heavy duty stainless steel exterior and galvanized steel interior.
- 3/4" thick high density polyurethane insulation.
- Removable ratchet locks keep your items safe from theft.

Shelving

- Horizontal epoxy coated, steel wire shelves for bottom air circulation (see table for quantity).
- Vertical epoxy coated, steel wire bin dividers (see table for quantity).

Temperature Control

- Multi-function digital controller with easy to read LED display.
- Factory preset temperature, 35°F.
- Temperature setting range from 33°F to 54°F.
- Audible overheat protection alarm for compressor and condenser coil.

Options

- Additional bin dividers.
- 3" or 5" swivel casters with locks.
- 3.5" – 6" height-adjustable and interchangeable legs.



Please visit our website for updated Energy Efficiency information

| Ref/ Frz/Dual | Lids | Capacity | | | Dividers | Shelves | Refrigerant | HP | Power V-Hz-Ph | Amps | Crated Weight | Exterior Dimensions | | |
|------------------|------|----------|-------------|----------------|----------|---------|-------------|------|------------------|------|-------------------|---------------------|-------------------|-------------------|
| | | Cu. Ft. | 12 oz. Cans | 12 oz. Bottles | | | | | | | | L | D | H* |
| REF | 1 | 11 | 348 | 264 | 2 | 1 | R-290 | 1/4+ | 115-60-1 | 3.5 | 197 lbs (89kg) | 36.75" (933mm) | 26.75" (679mm) | 33.75" (857mm) |

(†)Based on evaporating temperature of 23°F (-5°C) & condensing temperature of 131°F (55°C). (►) Product capacity is calculated based on standard industry figures. (✳) Reference plan view for clarification on caster/unit height. If dimensions and capacity are critical, please contact Everest Refrigeration. Blizzard R290 replacement is at the sole discretion of Everest Refrigeration. Specifications subject to change without notice.

HORIZONTAL BOTTLE COOLER

EBC Series Model: EBC37


DIMENSIONAL DATA

| | | |
|--------------------------|-----------------|----------------|
| External Dimensions | L | 36.75" (933mm) |
| | D | 26.75" (679mm) |
| | H* | 33.75" (857mm) |
| Crated Weight | 197 lbs. (89kg) | |
| Doors/Drawers/Lids | 1 | |
| Max Weight Support (LBS) | - | |

STORAGE DATA

| | |
|------------------------|-----|
| Net Capacity Cu. Ft. ▶ | 11 |
| Shelves | 1 |
| Barrels | - |
| 20 oz. Bottles | - |
| 12 oz. Bottles | 264 |
| 12 oz. Cans | 348 |
| 8" Mugs | - |
| # of Pans (Top) | - |
| # of Pans (Drawer) | - |
| Dividers | 2 |
| Trays | - |

ELECTRICAL DATA


| | |
|------------------------|--|
| Voltage | 115-60-1 |
| Full Load Amperage | 3.5A |
| Feed Wires with Ground | 3 |
| Cord Length | 9ft |
| NEMA Plug Type |  NEMA 5-15P |

REFRIGERATION DATA

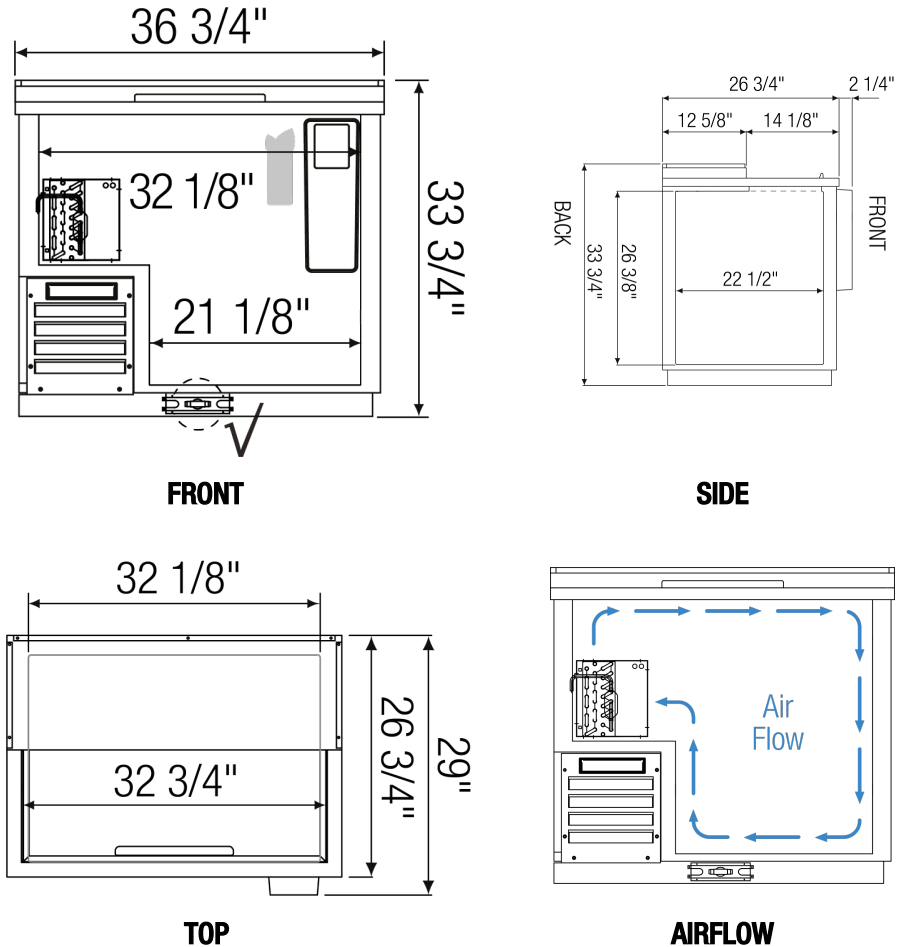
| | |
|---------------------|-------|
| Compressor Mounting | Side |
| Refrigerant | R-290 |
| Compressor HP | 1/4+ |
| BTU/HR † | 1926 |

KEY

| | | | |
|----|------------|------|---------------|
| D | Door | R | Refrigerator |
| L | Lid | REF | Refrigerator |
| H | Half Door | F | Freezer |
| FD | Full Door | FRZ | Freezer |
| SD | Solid Door | DUAL | REF/FRZ Combo |
| GD | Glass Door | DR | Drawer |

| | | | | | |
|--|-----------|-------|------|----|------|
|  | Elevation | Right | Plan | 3D | Back |
| | | | | | |

PLAN VIEW



ACCESSORIES & OPTIONS

| Part Number | Description |
|-------------|---|
| AJL03-00 | Interchangeable Leg for Caster (Optional) |
| BCP01-01 | 24-1/2" x 19-13/16" (622mm x 503mm) Epoxy Coating Bottle Cooler |
| CASA3-01 | 3" Overall Height Caster Assembly - (2) Front (2) Rear |
| CASA5-01 | 5" Overall Height Caster Assembly - (2) Front (2) Rear |

(†) Based on evaporating temperature of 23°F (-5°C) & condensing temperature of 131°F (55°C). (▶) Product capacity is calculated based on standard industry figures. (✖) Reference plan view for clarification on caster/unit height. If dimensions and capacity are critical, please contact Everest Refrigeration. Blizzard R290 replacement is at the sole discretion of Everest Refrigeration. Specifications subject to change without notice.