



JHP-636



JHP-336



JHP-312

DESCRIPTION

Hot plate to be Model # JHP-_____ manufactured by Jade Range. To have two 27,500 BTU/hr cast iron open burners per 12" section with one 12" x 24" lift-off cast iron top grate. (Model JHP-312 has three 15,000 BTU burners.) Each burner controlled by infinite gas valves. 14 gauge stainless steel all welded construction with stainless steel sides, front, plate shelf, pilot tips, gas tubing throughout and legs with adjustable feet. Each burner furnished with one stainless steel pilot. 14 gauge welded drip tray. Unit to be provided with 3/4" gas regulator.

SPECIFY TYPE OF GAS WHEN ORDERING.

SPECIFY ALTITUDE WHEN ABOVE 2,000 FT.

MODEL NO.

DESCRIPTION

- | | |
|-----------------------------------|---------------------------|
| <input type="checkbox"/> JHP-112 | 1 OPEN BURNER, 12" WIDE |
| <input type="checkbox"/> JHP-212 | 2 OPEN BURNERS, 12" WIDE |
| <input type="checkbox"/> JHP-224 | 2 OPEN BURNERS, 24" WIDE |
| <input type="checkbox"/> JHP-312 | 3 OPEN BURNERS, 12" WIDE |
| <input type="checkbox"/> JHP-336 | 3 OPEN BURNERS, 36" WIDE |
| <input type="checkbox"/> JHP-424 | 4 OPEN BURNERS, 24" WIDE |
| <input type="checkbox"/> JHP-448 | 4 OPEN BURNERS, 48" WIDE |
| <input type="checkbox"/> JHP-636 | 6 OPEN BURNERS, 36" WIDE |
| <input type="checkbox"/> JHP-848 | 8 OPEN BURNERS, 48" WIDE |
| <input type="checkbox"/> JHP-1060 | 10 OPEN BURNERS, 60" WIDE |

FLOOR MODEL ADD "-F" TO END OF MODEL NUMBER

Example: JHP-636-F: Floor model six open burner hot plate, 36" wide

STANDARD FEATURES

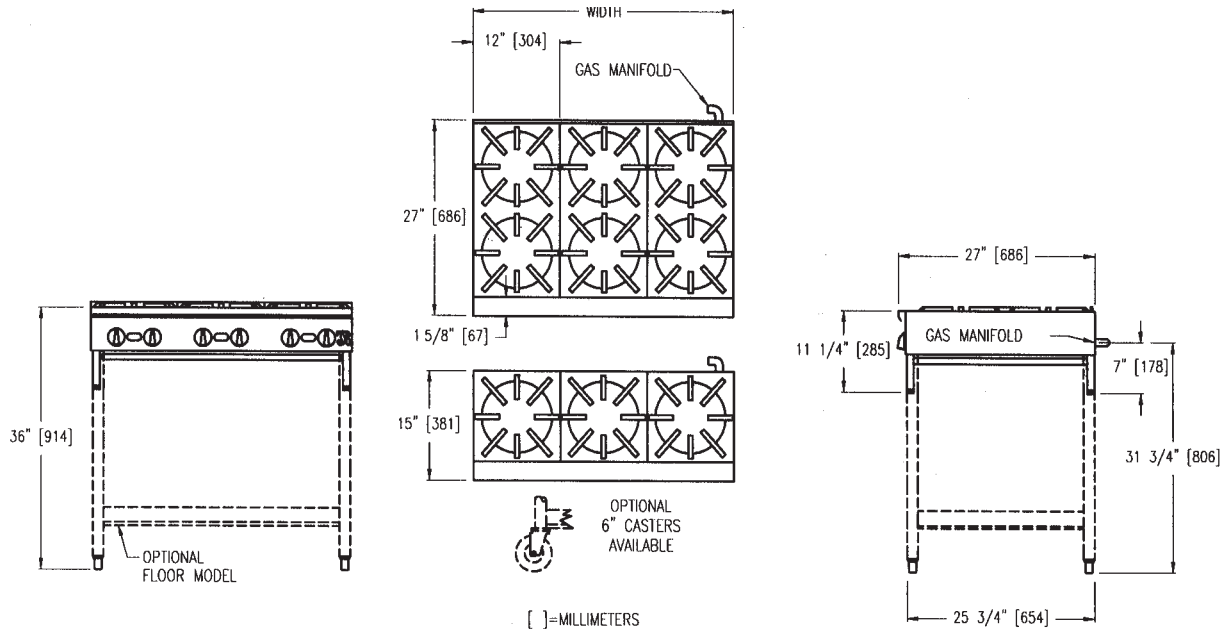
- Stainless steel sides, front, and plate shelf
- 27,500 BTU cast iron open burners (model JHP-312 has 15,000 BTU burners)
- 12" lift-off cast iron top grates
- Infinite control manual gas valves at each burner for precise heat control.
- 14 gauge stainless steel all welded construction
- Stainless steel legs welded into the frame
- High capacity 14 gauge welded drip tray
- Stainless steel gas tubing throughout
- Stainless steel pilot tips resist corrosion
- 3/4" gas regulator, included

OPTIONS & ACCESSORIES

OPTIONS & ACCESSORIES

- Stainless steel 8" extended plate shelf
- 8" deep cutting board, Poly
- 6" casters, front two locking (floor models only)
- 36" flex hose with quick disconnect & restraining device
- 48" flex hose with quick disconnect & restraining device

HOT PLATES



MODEL	BURNERS	BTUS	WIDTH	DEPTH	HEIGHT	APPX. SHP. WT.	APPX. CUBE COUNTER/FLOOR
JHP-112	1	27,500	12"	15"	SEE DRAWING	70 LBS.	7/NA
JHP-212	2	55,000	12"	27"	SEE DRAWING	85LBS.	10/NA
JHP-224*	2	55,000	24"	15"	SEE DRAWING	85 LBS.	9/17
JHP-312	3	45,000	12"	32"	SEE DRAWING	110 LBS.	8/NA
JHP-336*	3	82,500	36"	15"	SEE DRAWING	120 LBS.	14/26
JHP-424*	4	110,000	24"	27"	SEE DRAWING	150 LBS.	13/24
JHP-448*	4	110,000	48"	15"	SEE DRAWING	150 LBS.	18/34
JHP-636*	6	165,000	36"	27"	SEE DRAWING	220 LBS.	19/38
JHP-848*	8	220,000	48"	27"	SEE DRAWING	290 LBS.	25/49
JHP-1060*	10	275,000	60"	27"	SEE DRAWING	360 LBS.	33/62

* For floor model add "-F" to end of Model #.

NOTE: SPECIFY TYPE OF GAS WHEN ORDERING.

UTILITY INFORMATION:

- 3/4" Connection
- Required operating pressure:
 Natural Gas 5" W.C. minimum
 Propane Gas 10" W.C. minimum
 14" W.C. maximum

Note: This unit must be connected with the gas appliance regulator supplied.