



Project \_\_\_\_\_

Item # \_\_\_\_\_

Quantity \_\_\_\_\_

# Flav-R 2-Go® Pizza Locker System - Built-In

Models: F2GBP-12-C, -21-C, -22-C, -14-C

The Hatco Flav-R 2-Go® Pizza Locker System - Built-In, designed specifically for your pick-up and third-party delivery needs, is capable of holding multiple orders of hot pizza with quick and secure access. By reducing congestion and allowing employees to focus on other functions, customers or delivery people can arrive, access their specific locker, and leave without waiting in line or disturbing the flow of other business.

## Standard features

- Floor mount and countertop models also available, see alternate spec sheets
- A great solution to handling pick-up, third-party delivery and to-go orders in a non-contact manner
- Each unit has a large 10" (254 mm) touchscreen on the operator side and on the customer side. The operator puts in the name and code. The customer receives the code, enters it on the touchscreen, and the appropriate door unlocks and opens
- F2GBP-12-C and -14-C have customer facing controls on the left side of the unit. Operator controls will be on the right-hand side. Reverse control locations are available as an option
- F2GBP-21-C and -22-C have customer facing controls in the center of the unit. Operator controls will be the same
- Individual lockers can have the heat turned off for ambient storage
- Each locker will hold prepared and packaged food for up to 45 minutes. Operator is notified when the hold time expires
- Lockers come preset to 149°F (65°C) but can be adjusted to 180°F (82°C) or even turned off if desired
- Available in *Designer* colors
- Comes ready to mount with wall bracket (mounting hardware not included)
- As a pass-through unit, customer side stays locked. When the access code is used, the door unlocks and opens for 30 seconds
- F2GBP models are designed to be mounted through a wall with built-in brackets so it can be safely secured



F2GBP-12-C  
shown in standard  
*Designer Warm Red*

## Options (available at time of purchase only)

### Designer Colors –

Non-standard colors are non-returnable – Warm Red standard –

- Black
- Gray Granite
- White Granite
- Navy Blue
- Hunter Green
- Antique Copper

Right Side Control Panel on customer side (in lieu of left side control panel) – Operator control panel would switch to left side (in lieu of left side control panel) –

- F2GBP-12-C
- F2GBP-14-C

Cord Location, operator side, bottom right corner – In lieu of standard, operator side, bottom left corner –

**NOTE:** This unit is intended for stationary indoor, commercial use only—NOT for mobile applications.



For operation, location and safety information, please refer to the Installation and Operating Manual.



HATCO CORPORATION | P.O. Box 340500 Milwaukee, WI 53234-0500 U.S.A. | (800) 558-0607 | (414) 671-6350



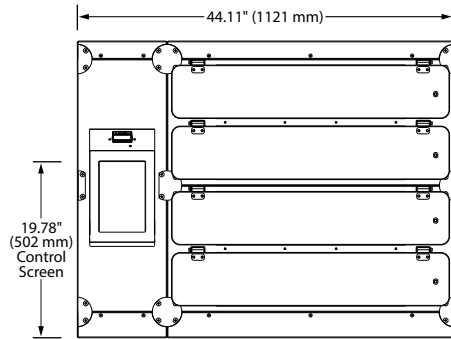
[www.hatcocorp.com](http://www.hatcocorp.com) | [support@hatcocorp.com](mailto:support@hatcocorp.com) | [Find a Hatco Rep](#) | [Image Library](#) | [Document Library](#) | [Chat](#)



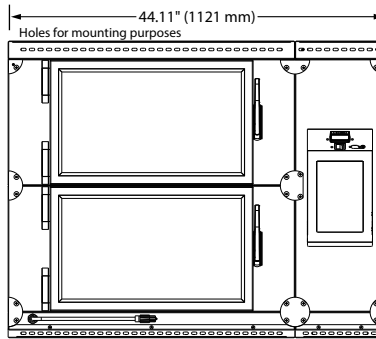
# Flav-R 2-Go® Pizza Locker System - Built In

Models: F2GBP-12-C, -21-C, -22-C, -14-C

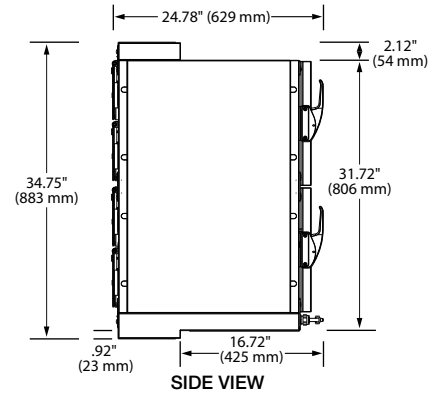
## F2GBP-12-C



FRONT VIEW  
CUSTOMER SIDE

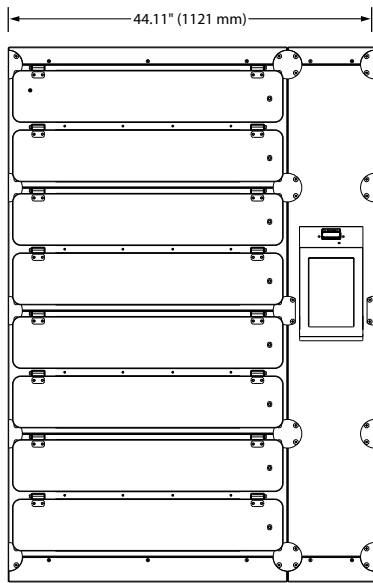


BACK VIEW  
OPERATOR SIDE

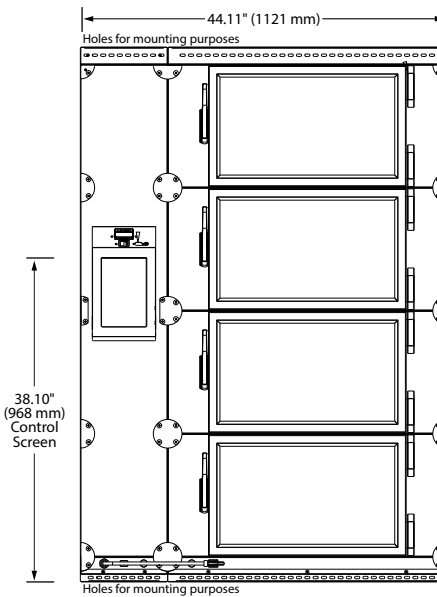


SIDE VIEW

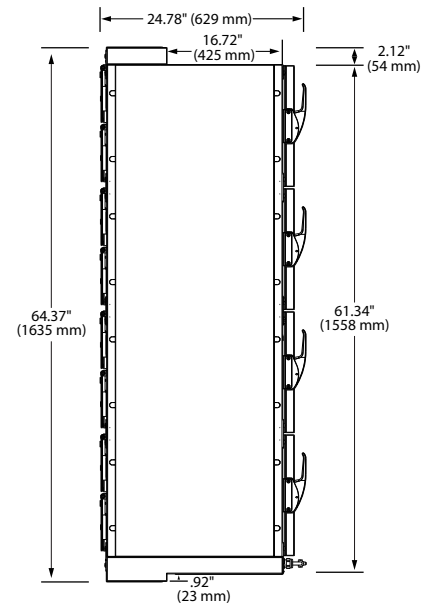
## F2GBP-14-C



FRONT VIEW  
CUSTOMER SIDE

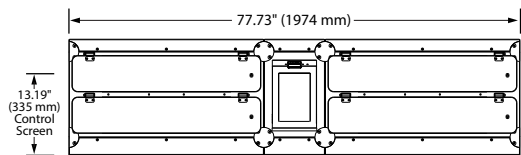


BACK VIEW  
OPERATOR SIDE

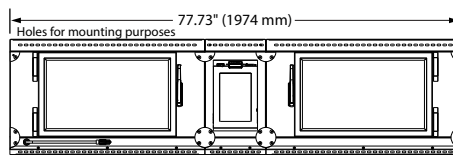


SIDE VIEW

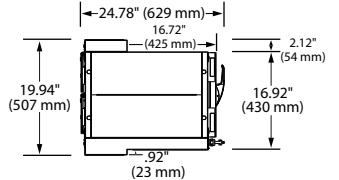
## F2GBP-21-C



FRONT VIEW  
CUSTOMER SIDE



BACK VIEW  
OPERATOR SIDE



SIDE VIEW

HATCO CORPORATION | P.O. Box 340500 Milwaukee, WI 53234-0500 U.S.A. | (800) 558-0607 | (414) 671-6350



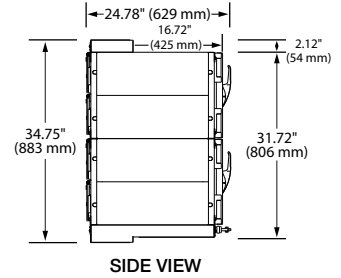
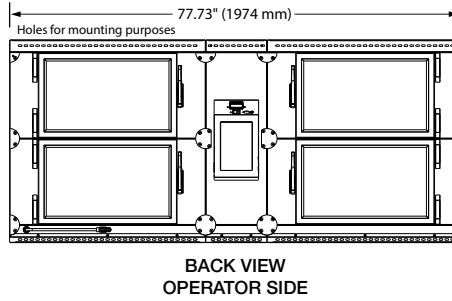
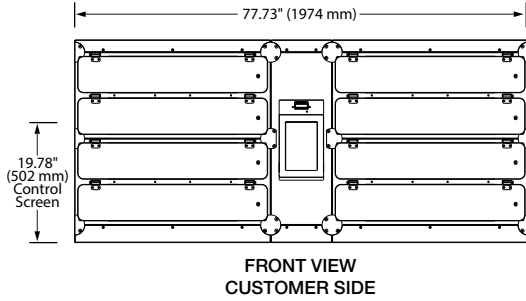
[www.hatcocorp.com](http://www.hatcocorp.com) | [support@hatcocorp.com](mailto:support@hatcocorp.com) | [Find a Hatco Rep](#) | [Image Library](#) | [Document Library](#) | [Chat](#)



# Flav-R 2-Go® Pizza Locker System - Built In

Models: F2GBP-12-C, -21-C, -22-C, -14-C

## F2GBP-22-C



### Cut-Out Dimensions

Model	Width - (Min to Max)	Height - (Min to Max)
F2GBP-12-C	44.38" to 44.88" (1127 to 1140 mm)	31.98" to 32.48" (812 to 825 mm)
F2GBP-14-C	44.38" to 44.88" (1127 to 1140 mm)	61.60" to 62.10" (1565 to 1577 mm)
F2GBP-21-C	78" to 78.50" (1981 to 1994 mm)	17.17" to 17.67" (436 to 449 mm)
F2GBP-22-C	78" to 78.50" (1981 to 1994 mm)	31.98" to 32.48" (812 to 825 mm)

### SPECIFICATIONS

#### Flav-R 2-Go® Pizza Locker Systems - Built-In

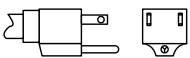
Model	Model Dimensions (W x D x H)	Number of Lockers	Internal Locker Dimensions	Volts	Watts	Amps	Plug
F2GBP-12-C	44.11" x 24.78" x 34.75" (1121 x 629 x 883 mm)	4 lockers	20.8" x 20.5" x 4.9" (528 x 521 x 124 mm)	120	536	4.7	NEMA 5-15P
F2GBP-14-C	44.11" x 24.78" x 64.37" (1121 x 629 x 1635 mm)	8 lockers	20.8" x 20.5" x 4.9" (528 x 521 x 124 mm)	120	1057	9.2	NEMA 5-15P
F2GBP-21-C	77.73" x 24.78" x 19.94" (1974 x 629 x 507 mm)	4 lockers	20.8" x 20.5" x 4.9" (528 x 521 x 124 mm)	120	536	4.7	NEMA 5-15P
F2GBP-22-C	77.73" x 24.78" x 34.75" (1974 x 629 x 883 mm)	8 lockers	20.8" x 20.5" x 4.9" (528 x 521 x 124 mm)	120	1057	9.2	NEMA 5-15P

### CORD LOCATION

Left side of unit corner of operator's side standard, right side optional.

### PLUG CONFIGURATIONS

#### NEMA 5-15P



### PRODUCT SPECS

#### Flav-R 2-Go® Pizza Locker System

The Locker System shall be a Flav-R 2-Go® Model ... , rated at ... volts, and ... watts, by the Hatco Corporation, Milwaukee, WI 53234 U.S.A.

The lockers shall consist of magnetically locked hinged doors, heated base, a 10"

(254 mm) touchscreen controller on both sides of the unit, a Power on/off switch, and a 6' (1829 mm) cord with plug attached.

Warranty consists of 24/7 parts and service assistance (U.S. and Canada only).

**HATCO CORPORATION** | P.O. Box 340500 Milwaukee, WI 53234-0500 U.S.A. | (800) 558-0607 | (414) 671-6350



[www.hatcocorp.com](http://www.hatcocorp.com) | [support@hatcocorp.com](mailto:support@hatcocorp.com) | [Find a Hatco Rep](#) | [Image Library](#) | [Document Library](#) | [Chat](#)