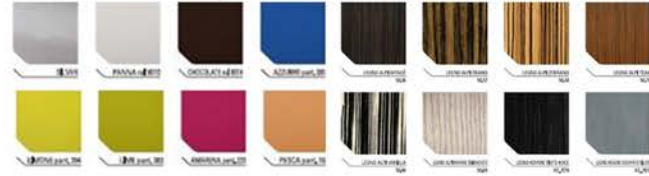
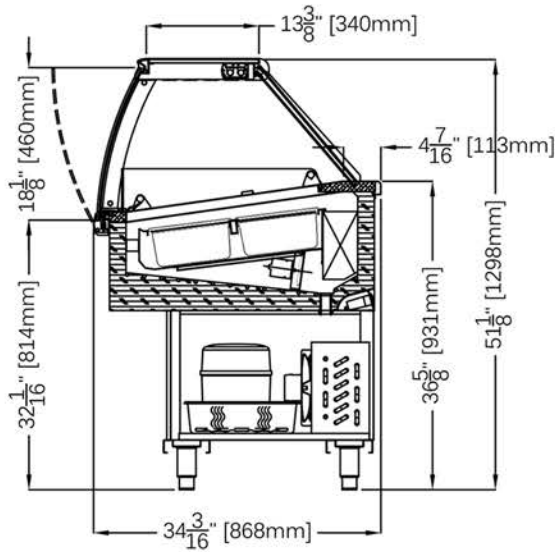


# CLASSIC II

# Gelato Showcase



## STANDARD FEATURES

- Stainless steel insulated body with tubular painted galvanized chassis
- Unfinished front fascia
- Dixell digital controller
- Air cooled condensing unit
- Temperature front and side glass single pane with anti fog serigraph
- Tilt back front glass
- LED lighting
- Plexiglass sliding doors
- Stainless steel work bench
- Cases ship standard unfinished

## OPTIONS

- Stainless steel inserts and pans
- Round tubs
- Dip well
- Cone holder
- Frozen cake stainless steel trays
- Dual temperature zone
- Marble/granite work counter
- RAL color finish/wood laminate
- Roll down curtain
- Remote/water cooled unit
- Matching front cabinetry counters with top glass
- Canopy lighting
- Casters

CLASSIC II GELATO				
TECHNICAL FEATURES		MODELS		
		CLASSIC II CIIG1300	CLASSIC II CIIG1700	CLASSIC II CIIG2106
External Dimensions (L-D-H)	Inches	51 3/16" - 34 3/16" - 51 1/8"	66 15/16" - 34 3/16" - 51 1/8"	82 15/16" - 34 3/16" - 51 1/8"
	MM	1300 - 868 - 1298	1700 - 868 - 1298	2106 - 868 - 1298
Crated Dimensions (L-D-H)	Inches	59" - 39 3/8" - 55 1/8"	74 7/8" - 39 3/8" - 55 1/8"	90 1/2" - 39 3/8" - 55 1/8"
	MM	1500 - 1000 - 1400	1900 - 1000 - 1400	2300 - 1000 - 1400
2.5 & 5 Liter Pan Capacity*	Pan Configuration			
7 1/16" x 6 1/2" x 4 3/4" (180mm x 165mm x 120mm)		7 (2.5 LITER) + 7 (5 LITER) (14)	9 (2.5 LITER) + 9 (5 LITER) (18)	12 (2.5 LITER) + 12 (5 LITER) (24)
14 3/16" x 6 1/2" x 4 3/4" (360mm x 165mm x 120mm)				
4 Liter Pan Capacity*	Pan Configuration			
10 1/8" x 6 1/8" x 5 7/8" (258mm x 156mm x 150mm)		12	18	22
6.5 Liter Pan Capacity*	Pan Configuration			
14 3/16" x 6 1/2" x 5 7/8" (360mm x 165mm x 150mm)		6	8	10
Compressor	Nr./Type	1 / Hermetic	1 / Hermetic	1 / Hermetic
BTU's @ -25°F Evap Temperature	BTU's	5440 BTU'S	7040 BTU'S	8640 BTU'S
		230/1/50 (EU)	230/1/50 (EU)	230/1/50 (EU)
Electric Supply	(V/Ph/Hz)	208-230/1/60 (USA)	208-230/1/60 (USA)	208-230/1/60 (USA)
Power Consumption	(W/A)	1500W / 7.5A	1720W / 11A	2050W / 10.5A
Operating Temperature	°C / °F	-18°C / -0.4°F	-18°C / -0.4°F	-18°C / -0.4°F
Net Weights	Kg/Lb	165Kgs / 363Lbs	220Kgs / 484Lbs	274Kgs / 602Lbs
Crated Weights	Kg/Lb	265Kgs / 584Lbs	340Kgs / 749Lbs	420Kgs / 925Lbs

\* Dimensions are without side panels

\* Pans not Included



361-367 Beach Road, Burlingame, CA 94010  
 Tel: 855.885.2400 | 650.342.2400 | Fax: 650.342.7400  
 sales@oscartek.com | www.oscartek.com

