



Project \_\_\_\_\_

Item # \_\_\_\_\_

Quantity \_\_\_\_\_

# Glo-Ray® Slant/Horizontal Merchandising Display Warmers

Models: GRSDS/H-30D, -36D, -41D,  
GRSDS/H-30DHW, -36DHW, -41DHW

Hatco's Glo-Ray® Slant/Horizontal Merchandising Display Warmers are designed specifically to hold hot wrapped or boxed product safely, and at proper serving temperatures. These warmers include a slant and horizontal shelf for merchandising a variety of products like popcorn on the top shelf and nachos, boxed pizza or wrapped food on the bottom, offering the convenience of self-serve and the efficiency of kitchen-to-server holding.

## Standard features

- Low watt models feature low watt overhead heat on the top shelf to hold popcorn. For fried food holding - select high watt models
- High watt models feature high watt overhead heat on top shelf to hold fried foods. For popcorn holding - select the lower watt models
- Pre-focused infrared top heat directs heat to the outer edges of the holding surface where heat loss is the greatest
- Thermostatically-controlled, hardcoated heated base has a temperature range of 185°- 200°F (85°- 93°C)
- Coated shatter-resistant incandescent lights enhance product display while safeguarding food products from bulb breakage
- NSF require units over 36" (914 mm) in width or weighing more than 80 lbs. (36 kg) to be either sealed, or raised on the installation surface with the 4" (102 mm) legs included
- Standard units shipped with: tempered glass side panels, hardcoated shelves, coated shatter-resistant incandescent lights, adjustable dividers, 4" (102 mm) legs and a 6' (1829 mm) cord with plug



GRSDS/H-36D with lower slant and upper horizontal shelf. Shown with optional 15" clearance - standard clearance is 12".



GRSDS/H-36DHW with lower slant and upper horizontal shelf. Shown with standard top clearance of 12".

## Options (available at time of purchase only)

### Designer Colors

Non-standard colors are non-returnable – Glossy Gray standard  
 Warm Red  Black  Gray Granite  White Granite  
 Navy Blue  Hunter Green  Antique Copper

15" (381 mm) clearance top shelf in lieu of standard 12" (305 mm) clearance (add 3" [76 mm] to height of unit)

60 Watt Halogen Bulb in lieu of Standard Display Light (not available on export voltages)

## Accessories

Additional Stainless Steel Divider Rods  
 for Horizontal shelf  for Slant shelf



IFS anti-microbial coatings use naturally-occurring, environmentally sustainable, silver ions to help inhibit the growth of microbes on the powder coated surface. See [www.hatcocorp.com/antimicrobial-paint](http://www.hatcocorp.com/antimicrobial-paint) for more information.



For operation, location and safety information, please refer to the Installation and Operating Manual.



HATCO CORPORATION | P.O. Box 340500 Milwaukee, WI 53234-0500 U.S.A. | (800) 558-0607 | (414) 671-6350

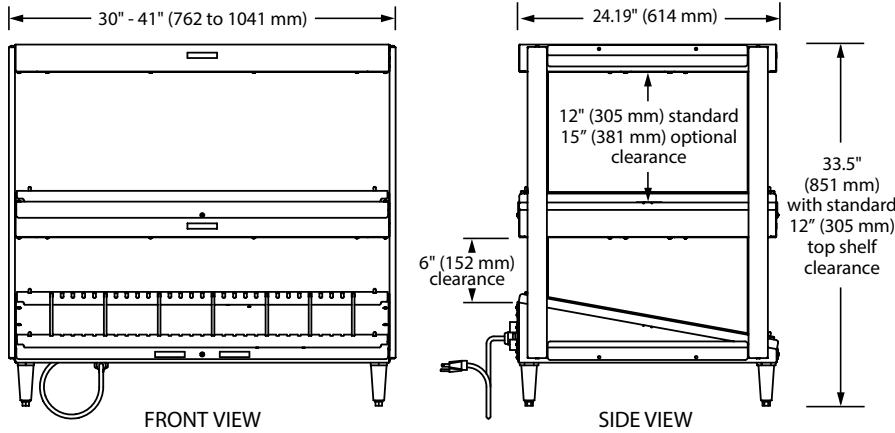


[www.hatcocorp.com](http://www.hatcocorp.com) | [support@hatcocorp.com](mailto:support@hatcocorp.com) | [Find a Hatco Rep](#) | [Image Library](#) | [Document Library](#) | [Chat](#)



# Glo-Ray® Slant/Horizontal Merchandising Display Warmers

Models: GRSDS/H-30D, -36D, -41D GRSDS/H-30DHW, -36DHW, -41DHW



## SPECIFICATIONS Low Watt – Slant/Horizontal Warmers

The shaded areas contain electrical information for International models

Model	No. of Bulbs, Divider Rods	Dimensions (W x D x H) Height includes 4" (102 mm) legs	Usable Heated Shelf Space (W x D)	Average Chute Width	Volts	Watts	Amps	Plug	Ship Weight*
GRSDS/H-30D	4, 12	30" x 24.19" x 33.5" (762 x 614 x 851 mm)	Top: 28.75" x 16.5" (730 x 419 mm) Bottom: 28.59" x 21" (726 x 533 mm)	4.25" (108 mm)	120	1530	12.8	NEMA 5-15P <sup>▲</sup>	140 lbs. (64 kg)
					220	1810	15.1	NEMA 5-20P	
GRSDS/H-36D	4, 14	36" x 24.19" x 33.5" (914 x 614 x 851 mm)	Top: 34.75" x 16.5" (882 x 419 mm) Bottom: 34.75" x 21" (882 x 533 mm)	4.5" (114 mm)	220	1669	7.6	CEE 7/7 Schuko	158 lbs. (72 kg)
					240	1990	8.3	BS-1363	
					220-230 (CE)	1669-1824	7.6-7.9	CEE 7/7 Schuko	
					230-240 (CE)	1824-1990	7.9-8.3	BS-1363	
GRSDS/H-41D	6, 16	41" x 24.19" x 33.5" (1041 x 614 x 851 mm)	Top: 39.75" x 16.5" (1009 x 419 mm) Bottom: 39.59" x 21" (1005 x 533 mm)	4.5" (114 mm)	120/208, 240	2120	9.1	NEMA L14-20P	178 lbs. (81 kg)
					220	1951	8.9	CEE 7/7 Schuko	
					240	2325	9.7	BS-1363	
					220-230 (CE)	1951-2132	8.9-9.3	CEE 7/7 Schuko	
					230-240 (CE)	2132-2325	9.3-9.7	BS-1363	

\* Shipping weight includes packaging.

▲ Canadian models use NEMA 5-20P.





# Glo-Ray® Slant/Horizontal Merchandising Display Warmers

Models: GRSDS/H-30D, -36D, -41D GRSDS/H-30DHW, -36DHW, -41DHW

## High Watt — Slant/Horizontal Warmers

Model <sup>®</sup>	No. of Bulbs, Divider Rods	Dimensions (W x D x H) Height includes 4" (102 mm) legs	Usable Heated Shelf Space (W x D)	Average Chute Width	Volts	Watts	Amps	Plug	Ship Weight*
GRSDS/H-30DHW	4, 12	30" x 24.19" x 33.5" (762 x 614 x 851 mm)	Top: 28.75" x 16.5" (730 x 419 mm) Bottom: 28.59" x 21" (726 x 533 mm)	4.25" (108 mm)	120/208-240	2450	11.0	NEMA L14-20P	140 lbs. (64 kg)
GRSDS/H-36DHW	4, 14	36" x 24.19" x 33.5" (914 x 614 x 851 mm)	Top: 34.75" x 16.5" (882 x 419 mm) Bottom: 34.75" x 21" (882 x 533 mm)	4.5" (114 mm)	120/208-240	2910	13.3	NEMA L14-20P	158 lbs. (72 kg)
GRSDS/H-41DHW	6, 16	41" x 24.19" x 33.5" (1041 x 614 x 851 mm)	Top: 39.75" x 16.5" (1009 x 419 mm) Bottom: 39.59" x 21" (1005 x 533 mm)	4.5" (114 mm)	120/208-240	3360	15.0	NEMA L14-20P	178 lbs. (81 kg)

<sup>®</sup> High wattage on top shelf only.

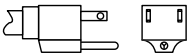
\* Shipping weight includes packaging.

## CORD LOCATION

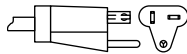
Control side at right base corner.

## PLUG CONFIGURATIONS

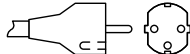
NEMA 5-15P



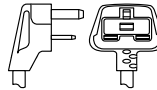
NEMA 5-20P



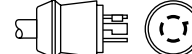
CEE 7/7 Schuko



BS-1363



NEMA L-14-20P



## PRODUCT SPECS

### Glo-Ray® Slant/Horizontal Merchandising Warmers

The Merchandising Warmer shall be a Glo-Ray® Model ... as manufactured by the Hatco Corporation, Milwaukee, WI 53234 U.S.A.

The warmer shall be rated at ... watts, ... volts, and be ... inches (millimeters) in overall width. It shall consist of a thermostatically-controlled, hardcoated heated base, infrared heat from above, full view tempered glass sides, adjustable divider rods,

and incandescent display lights. The infrared heating element shall be tubular metal sheathed and the warmer shall have a cord with plug attached.

Accessories shall include additional stainless steel dividers rods.

Warranty consists of 24/7 parts and service assistance (US and Canada only).

HATCO CORPORATION | P.O. Box 340500 Milwaukee, WI 53234-0500 U.S.A. | (800) 558-0607 | (414) 671-6350



[www.hatcocorp.com](http://www.hatcocorp.com) | [support@hatcocorp.com](mailto:support@hatcocorp.com) | [Find a Hatco Rep](#) | [Image Library](#) | [Document Library](#) | [Chat](#)