



SPECIFICATION SHEET

Model #:	_____ Qty: _____
Project #:	_____
Consultant:	_____

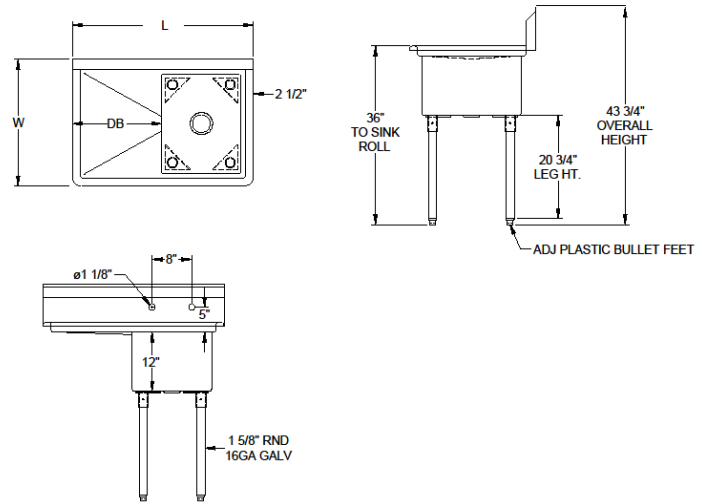
QUALITY FOOD SERVICE EQUIPMENT

ECONOMY SINKS



DIMENSIONS

1 bowl - 1 drainboard (left)



MATERIAL

- ◆ 18GA 300 stainless steel fabricated
- ◆ Galvanized legs & gussets
- ◆ Plastic bullet feet

FEATURES

- ◆ 10"H backsplash with 2" return to wall
- ◆ 8" on center faucet holes
- ◆ 3-1/2" die-stamped drain opening
- ◆ 1 drainboard on left side
- ◆ Adjustable bullet feet

Model#	Bowl Size LxWxH	Length	Width	Drainboard Size
1SG-162012L18	16" X 20" X 12"	36-1/2"	25-1/2"	18"
1SG-181812L18	18" X 18" X 12"	38-1/2"	23-1/2"	18"
1SG-182414L24	18" X 24" X 14"	44-1/2"	29-1/2"	24"
1SG-242414L24	24" X 24" X 14"	50-1/2"	29-1/2"	24"